

Derwent
Top 100
Global
Innovator
2020

XGT PC

Industrial / Panel PC



LS ELECTRIC

Panel PC XPC-NTP07BF

Touch Screen Panel PC
7"(800×480) _ Color TFT LCD
Low Power / Low Heat / Fanless



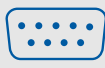
Features



Intel® Baytrail
Quad Core SOC



Touch Screen



RS232
RS422/RS485



HDMI



USB 3.0



Ethernet LAN
10/100/1000M



Dust-Proof
(Front/Rear IP50)
Option: Front IP65



Fanless

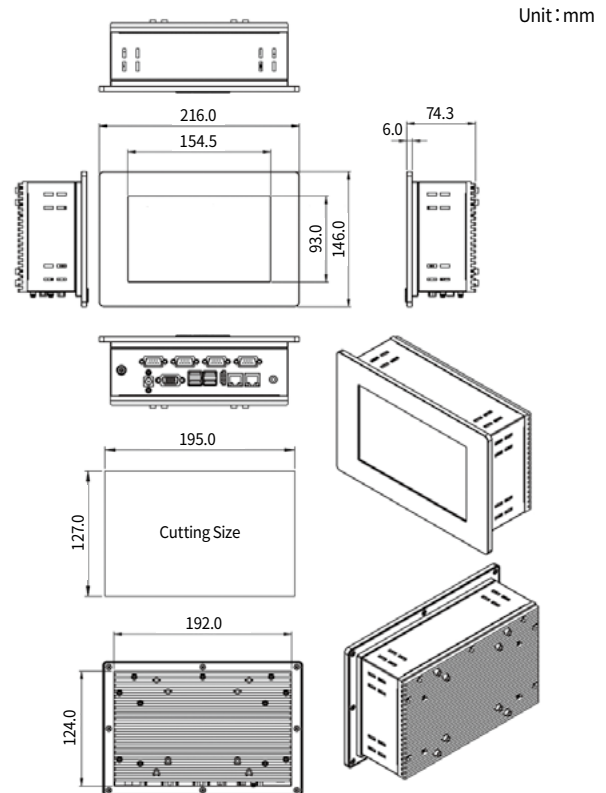
Specification

Display	7" LED Backlight LCD / TFT LCD Panel Resolution : 800×480 White Luminance : 400 cd / m ² Contrast Ratio : 1000
Touch Screen	5-Wire Resistive Touch Interface : USB
System	Processor : Intel® Baytrail-D J1900 2.0Ghz Quad Core SOC BIOS : AMI uEFI BIOS, 64Mbit SPI Flash ROM System Chipset : Valleyview SoC Integrated I/O Chipset : NCT6106D (Nuvoton) Memory : DDR3L 4GB (Basic Option) One 204-pin SODIMM DDR3L 1066/1333 Mhz Up to 8GB Storage : SSD Flash Disk 128GB (MLC)(Basic Option) Option : SSD 256GB/HDD 500GB/HDD 1TB Audio Code : Realtek ALC888S Support 5.1-CH Audio DVD-ROM : No.
I/O	Serial Port : 3×RS-232 / 1×RS-485 Ethernet : 2×LAN (GbE) (LAN1 - Realtek RTL8111E) (LAN2 - INTEL 82574L Gigabit Ethernet) USB : 4×USB (1×USB 3.0 / 3×USB 2.0) HDMI : 1×HDMI (1.3 Support Max Resolution 1920×1200 @ 60Hz) VGA : 1×VGA (Max. Resolution 1920×1200 @ 60Hz) Audio Interface : 1×Speaker Jack
Electrical and Operating Requirements	Input : AC100~240V (Adaptor) Operating Temperature : 0°C ~ 50°C Storage Temperature : -20°C ~ 60°C Relative Humidity : 0°C ~ 90% Noncondensing Anti-Vibration : IEC60068-2-64, IEC60068-2-27 Electric Discharge : EN61000-4-2 / KN32,35 2015/ Contact : 4kV / Air : 8kV Installation Methods : LUG Bracket VESA Mount : 75×75 / 100×100 Dimension : 216×146×74.3 (mm) Cutting Size : 195×127 (mm) Weight : 2kg

Option

O/S Window 10 IoT Enterprise (KOR/ENG) 64bit
(O/S Protection UWF - Option)

Product Size



Panel PC XPC-NTP10BF

Touch Screen Panel PC
10.4"(1024×768) _ Color TFT LCD
Low Power / Low Heat / Fanless



Features



Intel® Baytrail
Quad Core SOC



Touch Screen



RS232
RS422/RS485



HDMI



USB 3.0



Ethernet LAN
10/100/1000M



Dust-Proof
(Front/Rear IP50)
Option: Front IP65



Fanless



Wireless LAN
(Option)

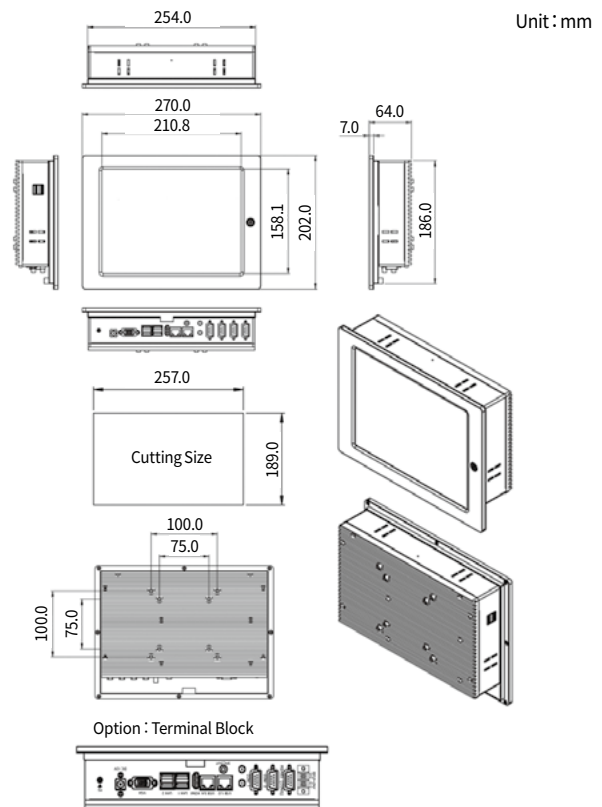
Specification

Display	10.4" LED Backlight LCD / TFT LCD Panel Resolution : 1024×768 White Luminance : 400 cd / m ² Contrast Ratio : 500
Touch Screen	5-Wire Resistive Touch Interface : USB
System	Processor : Intel® Baytrail-D J1900 2.0Ghz Quad Core SOC BIOS : AMI uEFI BIOS, 64Mbit SPI Flash ROM System Chipset : Valleyview SoC Integrated I/O Chipset : NCT6106D (Nuvoton) Memory : DDR3L 4GB (Basic Option) One 204-pin SODIMM DDR3L 1066/1333 Mhz Up to 8GB Storage : SSD Flash Disk 128GB (MLC)(Basic Option) Option : SSD 256GB/HDD 500GB/HDD 1TB Audio Code : Realtek ALC888S Support 5.1-CH Audio DVD-ROM : No.
I/O	Serial Port : 3×RS-232 / 1×RS-485 Ethernet : 2×LAN (GbE) (LAN1 - Realtek RTL8111E) (LAN2 - INTEL 82574L Gigabit Ethernet) USB : 6×USB (1×USB 3.0 / 5×USB 2.0) HDMI : 1×HDMI (1.3 Support Max Resolution 1920×1200 @ 60Hz) VGA : 1×VGA (Max. Resolution 1920×1200 @ 60Hz) Audio Interface : 1×Speaker Jack Terminal Block : 1×2pin Terminal Block (Option : DC12~24V)
Electrical and Operating Requirements	Input : AC100~240V (Adaptor) / DC12~24V Operating Temperature : 0°C ~ 50°C Storage Temperature : -20°C ~ 60°C Relative Humidity : 0°C ~ 90% Noncondensing Anti-Vibration : IEC60068-2-64, IEC60068-2-27 Electric Discharge : EN61000-4-2 / KN32,35 2015 / Contact : 4kV / Air : 8kV Installation Methods : LUG Bracket VESA Mount : 75×75 / 100×100 Dimension : 270×202×64 (mm) Cutting Size : 257×189 (mm) Weight : 3kg

Option

Wireless LAN	Intel Wireless LAN IEEE 802.11a / b / g / n Mini PCI-E Slot
O/S	Window 10 IoT Enterprise (KOR/ENG) 64bit (O/S Protection UWF - Option)

Product Size



Panel PC XPC-NTP12BFF

Touch Screen Panel PC
12.1"(1024×768) _ Color TFT LCD
Low Power / Low Heat / Fanless



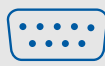
Features



Intel® Baytrail
Quad Core SOC



Touch Screen



RS232
RS422/RS485



HDMI



USB 3.0



Ethernet LAN
10/100/1000M



Dust-Proof
(Front/Rear IP50)
Option: Front IP65



Fanless



Wireless LAN
(Option)

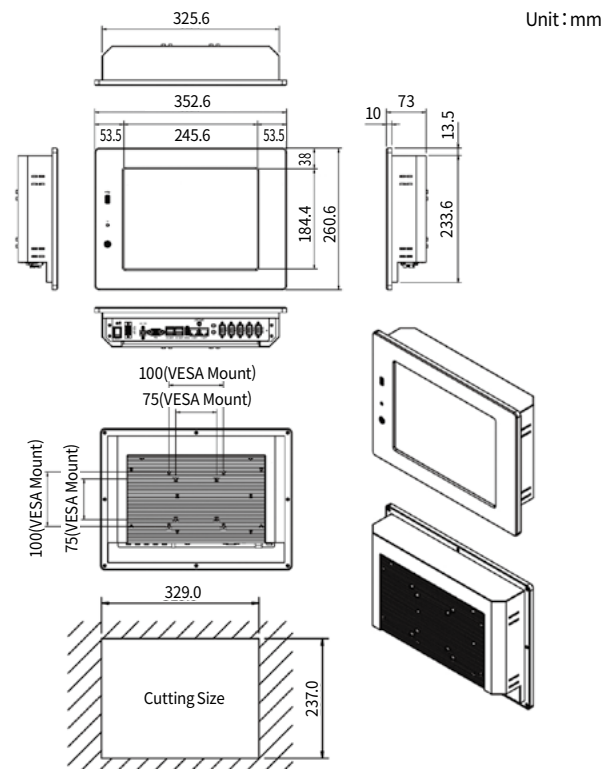
Specification

Display	12.1" LED Backlight LCD / TFT LCD Panel Resolution : 1024×768 White Luminance : 350 cd / m ² Contrast Ratio : 800
Touch Screen	5-Wire Resistive Touch Interface : USB
System	Processor : Intel® Baytrail-D J1900 2.0Ghz Quad Core SOC BIOS : AMI uEFI BIOS, 64Mbit SPI Flash ROM System Chipset : Valleyview SoC Integrated I/O Chipset : NCT6106D (Nuvoton) Memory : DDR3L 4GB (Basic Option) One 204-pin SODIMM DDR3L 1066/1333 Mhz Up to 8GB Storage : SSD Flash Disk 128GB (MLC)(Basic Option) Option : SSD 256GB/HDD 500GB/HDD 1TB Audio Code : Realtek ALC888S Support 5.1-CH Audio DVD-ROM : No.
I/O	Serial Port : 4×RS-232 1×RS-485 (Option : RS-422×1) Ethernet : 2×LAN (GbE) (LAN1 - Realtek RTL8111E) (LAN2 - INTEL 82574L Gigabit Ethernet) USB : 5×USB (1×USB 3.0 / 4×USB 2.0) HDMI : 1×HDMI (1.3 Support Max Resolution 1920×1200 @ 60Hz) VGA : 1×VGA (Max. Resolution 1920×1200 @ 60Hz) Audio Interface : 1×Speaker Jack
Electrical and Operating Requirements	Input : AC100~240V (Adaptor) DC12~24V (Terminal Block) Operating Temperature : 0°C ~ 50°C Storage Temperature : -20°C ~ 60°C Relative Humidity : 0°C ~ 90% Noncondensing Anti-Vibration : IEC60068-2-64, IEC60068-2-27 Electric Discharge : EN61000-4-2 / KN32,35 2015 / Contact : 4kV / Air : 8kV Installation Methods : LUG Bracket VESA Mount : 75×75 / 100×100 Dimension : 352.6×260.6×73 (mm) Cutting Size : 329×237 (mm) Weight : 4.4kg

Option

Wireless LAN	Intel Wireless LAN IEEE 802.11a / b / g / n Mini PCI-E Slot
O/S	Window 10 IoT Enterprise (KOR/ENG) 64bit (O/S Protection UWF - Option)

Product Size

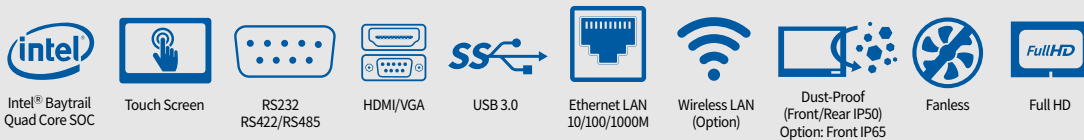


Panel PC XPC-NTP15BF-FHD

Touch Screen Panel PC
15.6"(1920×1080 FHD) _ Color TFT LCD
Dust-Proof / Fanless



Features



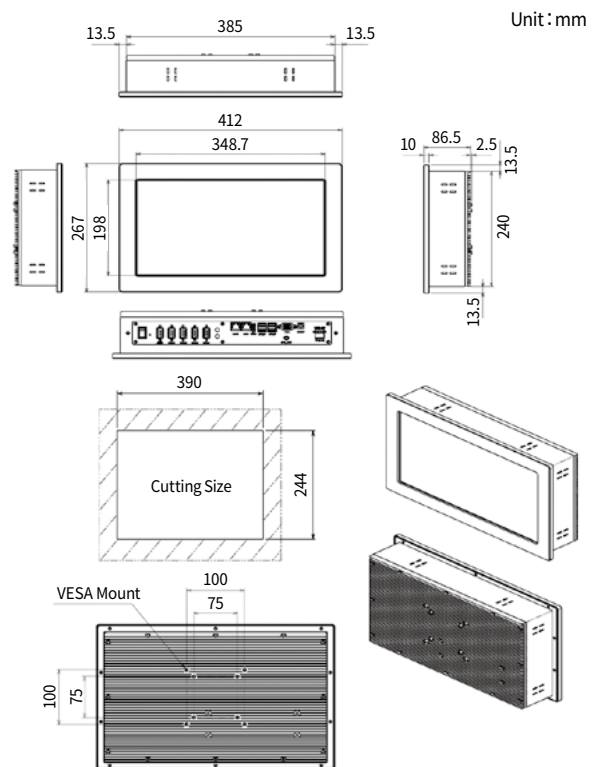
Specification

Display	15.6" LED Backlight LCD / TFT LCD Panel Resolution : 1920×1080 FHD (16:9 Wide) White Luminance : 300 cd / m ² Contrast Ratio : 700
Touch Screen	Capacitive Touch Interface : USB
System	Processor : Intel® Baytrail-D J1900 2.0Ghz Quad Core SOC BIOS : AMI uEFI BIOS, 64Mbit SPI Flash ROM System Chipset : Valleyview SoC Integrated I/O Chipset : NCT6106D (Nuvoton) Memory : DDR3L 4GB (Basic Option) One 204-pin SODIMM DDR3L 1066/1333 Mhz Up to 8GB Storage : SSD Flash Disk 128GB (MLC)(Basic Option) Option : SSD 256GB/SSD 500GB/SSD 1T Audio Code : Realtek ALC888S Support 5.1-CH Audio DVD-ROM : No.
I/O	Serial Port : Select 1 : 4×RS-232 / 1×RS-485 (Basic) Ethernet : 2×LAN (GbE) (LAN1 - Realtek RTL8111E) (LAN2 - INTEL 82574L Gigabit Ethernet) USB : 4×USB (1×USB 3.0 / 3×USB 2.0) HDMI : 1×HDMI (1.3 Support Max Resolution 1920×1200 @ 60Hz) VGA : 1×VGA (Max. Resolution 1920×1200 @ 60Hz) Audio Interface : 1×Speaker Jack Terminal Block : 1×3pin Terminal Block (DC12~24V)
Electrical and Operating Requirements	Input : AC100~240V (Adaptor) DC12~24V (Terminal Block) Output : DC12V / 5A (60W) Operating Temperature : 0°C ~ 50°C Storage Temperature : -20°C ~ 60°C Relative Humidity : 0°C ~ 90% Noncondensing Anti-Vibration : IEC60068-2-64, IEC60068-2-27 Electric Discharge : EN61000-4-2 / KN32,35 2015 / Contact : 4kV / Air : 8kV Installation Methods : LUG Bracket Dimension : 412×267×86.5 (mm) Cutting Size : 390×244 (mm) Weight : 6.5kg

Option

Wireless LAN	Intel Wireless LAN IEEE 802.11a / b / g / n Mini PCI-E Slot
O/S	Window 10 IoT Enterprise (KOR/ENG) 64bit (O/S Protection UWF - Option)

Product Size



Panel PC XPC-NTP15BFF

Touch Screen Panel PC
15"(1024×768) _ Color TFT LCD
Dust-Proof / Fanless



Features

 Intel® Baytrail Quad Core SOC	 Touch Screen	 RS232 RS422/RS485	 HDMI	 USB 3.0	 Ethernet LAN 10/100/1000M	 Dust-Proof (Front/Rear IP50) Option: Front IP65	 Fanless	 Wireless LAN (Option)
---	---	---	---	--	---	--	--	---

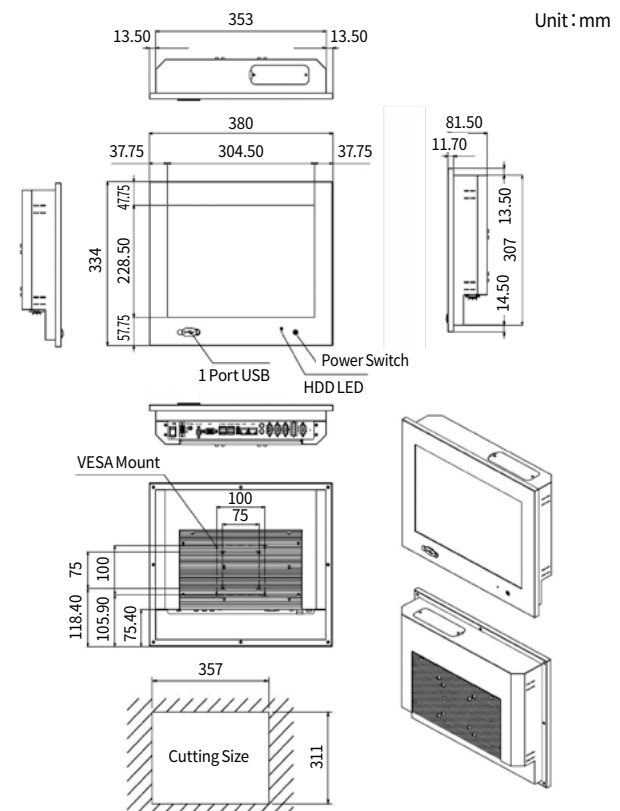
Specification

Display	15" LED Backlight LCD / TFT LCD Panel Resolution : 1024×768 (4:3 Aspect Ratio) White Luminance : 300 cd / m ² Contrast Ratio : 700
Touch Screen	5-Wire Resistive Touch Interface : USB
System	Processor : Intel® Baytrail-D J1900 2.0Ghz Quad Core SOC BIOS : AMI uEFI BIOS, 64Mbit SPI Flash ROM System Chipset : Valleyview SoC Integrated I/O Chipset : NCT6106D (Nuvoton) Memory : DDR3L 4GB (Basic Option) One 204-pin SODIMM DDR3L 1066/1333 Mhz Up to 8GB Storage : SSD Flash Disk 128GB (MLC)(Basic Option) Option : SSD 256GB/SSD 500GB/SSD 1T Audio Code : Realtek ALC888S Support 5.1-CH Audio DVD-ROM : No. Expansion : 1×Mini PCIe
I/O	Serial Port : 4×RS-232 / 1×RS-485 / 1×RS422 (Option) Ethernet : 2×LAN (GbE) (LAN1 - Realtek RTL8111E) (LAN2 - INTEL 82574L Gigabit Ethernet) USB : 5×USB (1×USB 3.0 / 4×USB 2.0) HDMI : 1×HDMI (1.3 Support Max Resolution 1920×1200 @ 60Hz) VGA : 1×VGA (Max. Resolution 1920×1200 @ 60Hz) Audio Interface : 1×Speaker Jack Terminal Block : 1×2pin Terminal Block (DC12~24V)
Electrical and Operating Requirements	Input : AC100~240V (Adaptor) DC12~24V (Terminal Block) Output : DC12V / 5A (60W) Operating Temperature : 0°C ~ 50°C Storage Temperature : -20°C ~ 60°C Relative Humidity : 0°C ~ 90% Noncondensing Anti-Vibration : IEC60068-2-64, IEC60068-2-27 Electric Discharge : EN61000-4-2 / KN32,35 2015 / Contact : 4kV / Air : 8kV Installation Methods : LUG Bracket Dimension : 380×334×80 (mm) Cutting Size : 357×311 (mm) Weight : 6kg

Option

Wireless LAN	Intel Wireless LAN IEEE 802.11a / b / g / n Mini PCI-E Slot
O/S	Window 10 IoT Enterprise (KOR/ENG) 64bit (O/S Protection UWF - Option)

Product Size



Panel PC XPC-NTP17BFF

Touch Screen Panel PC
17"(1280×1024) _ Color TFT LCD
Low Power / Low Heat / Fanless



Features



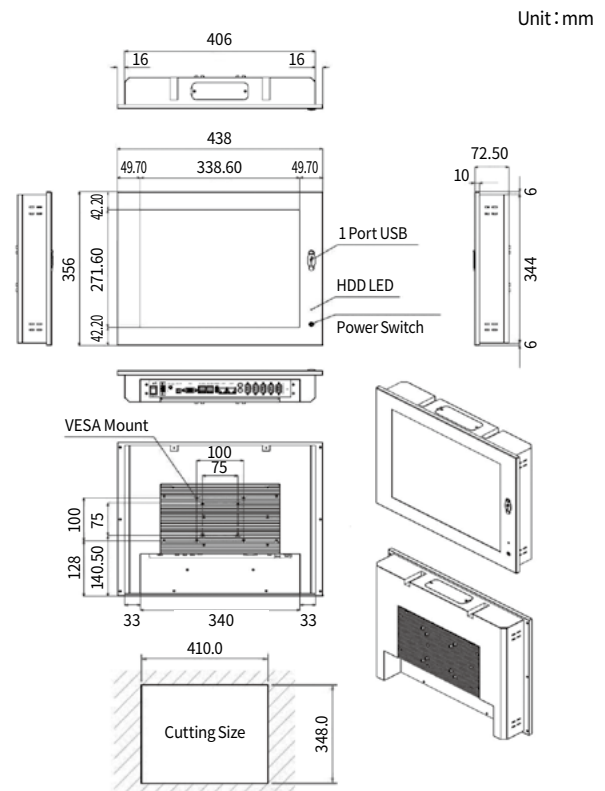
Specification

Display	17" LED Backlight LCD / TFT LCD Panel Resolution : 1280×1024 White Luminance : 250 cd / m ² Contrast Ratio : 1000
Touch Screen	5-Wire Resistive Touch Interface : USB
System	Processor : Intel® Baytrail-D J1900 2.0Ghz Quad Core SOC BIOS : AMI uEFI BIOS, 64Mbit SPI Flash ROM System Chipset : Valleyview SoC Integrated I/O Chipset : NCT6106D (Nuvoton) Memory : DDR3L 4GB (Basic Option) One 204-pin SODIMM DDR3L 1066/1333 Mhz Up to 8GB Storage : SSD Flash Disk 128GB (MLC)(Basic Option) Option : SSD 256GB/HDD 500GB/HDD 1TB Audio Code : Realtek ALC888S Support 5.1-CH Audio DVD-ROM : No.
I/O	Serial Port : 4×RS-232 1×RS-485 (Option : 1x RS-422) Ethernet : 2×LAN (GbE) (LAN1 - Realtek RTL8111E) (LAN2 - INTEL 82574L Gigabit Ethernet) USB : 5×USB (1×USB 3.0 / 4×USB 2.0) HDMI : 1×HDMI (1.3 Support Max Resolution 1920×1200 @ 60Hz) VGA : 1×VGA (Max. Resolution 1920×1200 @ 60Hz) Audio Interface : 1×Speaker Jack
Electrical and Operating Requirements	Input : AC100~240V (Adaptor) 2pin Terminal Block 12~24V Output : DC12V / 5A (60W) Operating Temperature : 0°C ~ 50°C Storage Temperature : -20°C ~ 60°C Relative Humidity : 0°C ~ 90% Noncondensing Anti-Vibration : IEC60068-2-64, IEC60068-2-27 Electric Discharge : EN61000-4-2 / KN32,35 2015 / Contact : 4kV / Air : 8kV Installation Methods : LUG Bracket VESA Mount : 75×75 / 100×100 Dimension : 438×356×72.5 (mm) Cutting Size : 410×348 (mm) Weight : 7kg

Option

Wireless LAN	Intel Wireless LAN IEEE 802.11a / b / g / n Mini PCI-E Slot
O/S	Window 10 IoT Enterprise (KOR/ENG) 64bit (O/S Protection UWF - Option)

Product Size

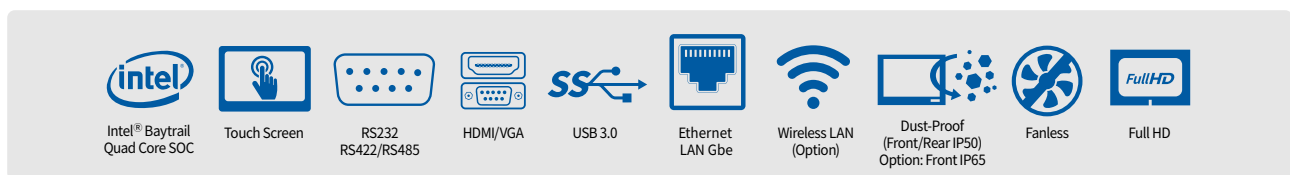


Panel PC XPC-NTP19BF-FHD

Touch Screen Panel PC
18.5"(1920×1080 FHD) _ TFT LCD
Dust-Proof / Fanless



Features



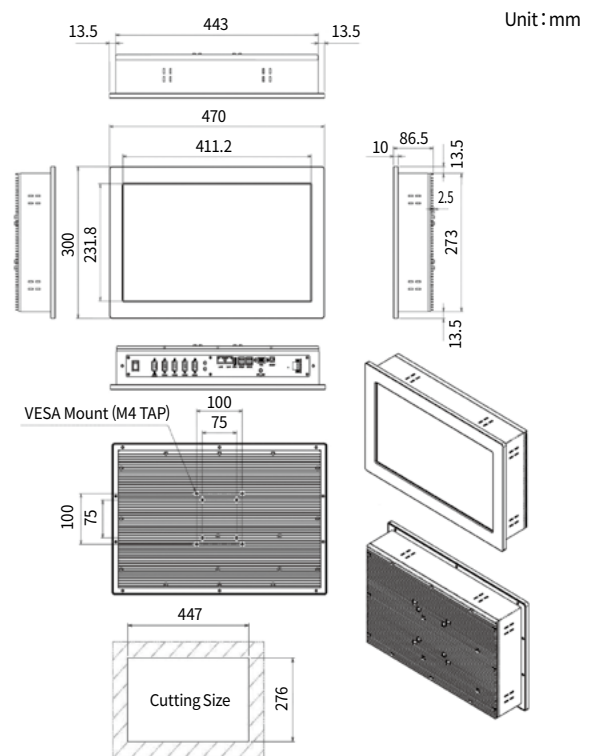
Specification

Display	18.5" LED Backlight LCD / TFT LCD Panel Resolution : 1920×1080 FHD (16:9 Wide) White Luminance : 300 cd / m ² Contrast Ratio : 700
Touch Screen	5-Wire Resistive Touch Interface : USB
System	Processor : Intel® Baytrail-D J1900 2.0Ghz Quad Core SOC BIOS : AMI uEFI BIOS, 64Mbit SPI Flash ROM System Chipset : Valleyview SoC Integrated I/O Chipset : NCT6106D (Nuvoton) Memory : DDR3L 4GB (Basic Option) One 204-pin SODIMM DDR3L 1066/1333 Mhz Up to 8GB Storage : SSD Flash Disk 128GB (MLC)(Basic Option) Option : SSD 256GB/SSD 500GB/HDD 1TB Audio Code : Realtek ALC888S Support 5.1-CH Audio DVD-ROM : No.
I/O	Serial Port : 4×RS-232 1×RS-485 (Basic) Ethernet : 2×LAN (Gbe) (LAN1 - Realtek RTL8111E) (LAN2 - INTEL 82574L Gigabit Ethernet) USB : 4×USB (1×USB 3.0 / 3×USB 2.0) HDMI : 1×HDMI (1.3 Support Max Resolution 1920×1200 @ 60Hz) VGA : 1×VGA (Max. Resolution 1920×1200 @ 60Hz) Audio Interface : 1×Speaker Jack Terminal Block : 1×3pin Terminal Block (DC12~24V)
Electrical and Operating Requirements	Input : AC100~240V (Adaptor) DC12~24V (Terminal Block) Operating Temperature : 0°C ~ 50°C Storage Temperature : -20°C ~ 60°C Relative Humidity : 0°C ~ 90% Noncondensing Anti-Vibration : IEC60068-2-64, IEC60068-2-27 Electric Discharge : EN61000-4-2 / KN32,35 2015 / Contact : 4kV / Air : 8kV Installation Methods : LUG Bracket, VESA Mount Dimension : 470×300×86.5 (mm) Cutting Size : 447×276 (mm) Weight : 9kg

Option

Input Voltage	XPC-NTP19BF-FHD-12-24V
UWF	Unified Write Filter
O/S	Window 10 Iot Enterprise (KOR/ENG) 64bit (O/S Protection UWF - Option)

Product Size



Panel PC XPC-NTP19BFF

Touch Screen Panel PC
19"(1280×1024) _ Color TFT LCD
Low Power / Low Heat / Fanless



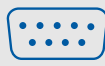
Features



Intel® Baytrail
Quad Core SOC



Touch Screen



RS232
RS422/RS485



HDMI



USB 3.0



Ethernet LAN
10/100/1000M



Dust-Proof
(Front/Rear IP50)
Option: Front IP65



Fanless



Wireless LAN
(Option)

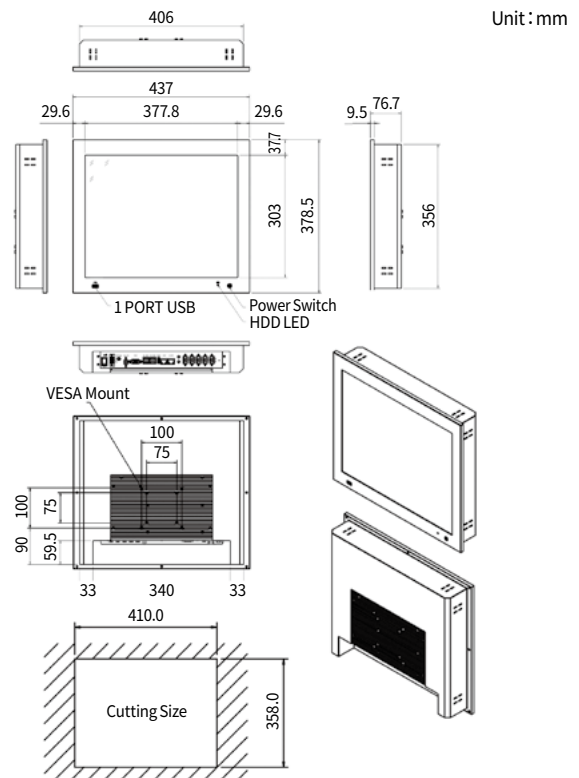
Specification

Display	19" LED Backlight LCD / TFT LCD Panel Resolution : 1280×1024 White Luminance : 250 cd / m ² Contrast Ratio : 1000
Touch Screen	5-Wire Resistive Touch Interface : USB
System	Processor : Intel® Baytrail-D J1900 2.0Ghz Quad Core SOC BIOS : AMI uEFI BIOS, 64Mbit SPI Flash ROM System Chipset : Valleyview SoC Integrated I/O Chipset : NCT6106D (Nuvoton) Memory : DDR3L 4GB (Basic Option) One 204-pin SODIMM DDR3L 1066/1333 Mhz Up to 8GB Storage : SSD Flash Disk 128GB (MLC)(Basic Option) Option : SSD 256GB/HDD 500GB/HDD 1TB Audio Code : Realtek ALC888S Support 5.1-CH Audio DVD-ROM : No.
I/O	Serial Port : 4×RS-232 1×RS-485 (Option : RS-422×1) Ethernet : 2×LAN (GbE) (LAN1 - Realtek RTL8111E) (LAN2 - INTEL 82574L Gigabit Ethernet) USB : 5×USB (1×USB 3.0 / 4×USB 2.0) HDMI : 1×HDMI (1.3 Support Max Resolution 1920×1200 @ 60Hz) VGA : 1×VGA (Max. Resolution 1920×1200 @ 60Hz) Audio Interface : 1×Speaker Jack
Electrical and Operating Requirements	Input : AC100~240V (Adaptor) DV12~24V (Terminal Block) Operating Temperature : 0°C ~ 50°C Storage Temperature : -20°C ~ 60°C Relative Humidity : 0°C ~ 90% Noncondensing Anti-Vibration : IEC60068-2-64, IEC60068-2-27 Electric Discharge : EN61000-4-2 / KN32,35 2015 / Contact : 4kV / Air : 8kV Installation Methods : LUG Bracket VESA Mount : 75×75 / 100×100 Dimension : 437×378.5×76.7 (mm) Cutting Size : 410×358 (mm) Weight : 7.5kg

Option

Wireless LAN	Intel Wireless LAN IEEE 802.11a / b / g / n Mini PCI-E Slot
O/S	Window 10 IoT Enterprise (KOR/ENG) 64bit (O/S Protection UWF - Option)

Product Size

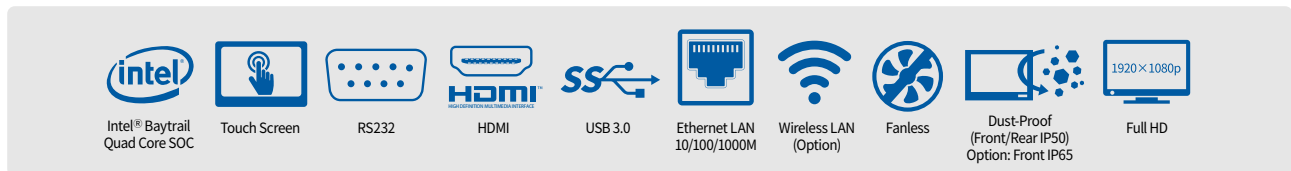


Panel PC XPC-NTP21BF

Touch Screen Panel PC
21.5"(1920×1080) _ Color TFT LCD
Full HD / Dust-Proof / Fanless



Features



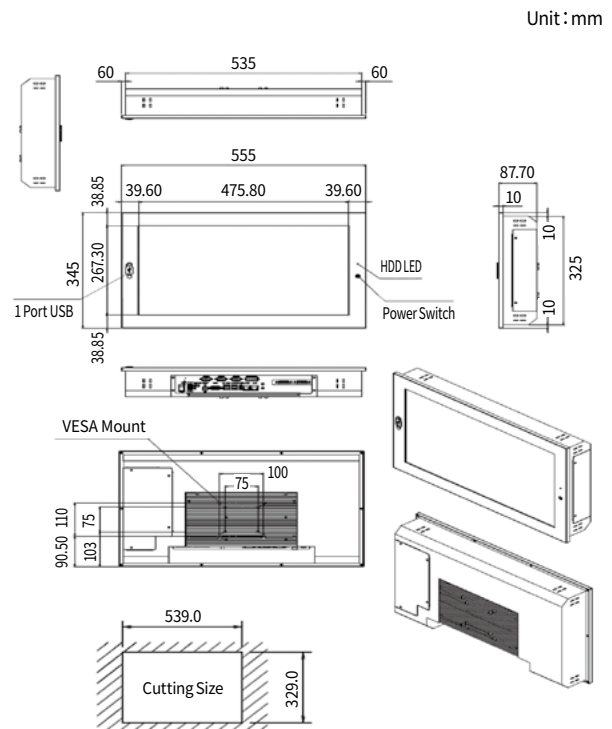
Specification

Display	21.5" LED Backlight LCD / TFT LCD Panel Resolution : 1920×1080 (Full HD) White Luminance : 300 cd / m ² Contrast Ratio : 1000
Touch Screen	5-Wire Resistive Touch Interface : USB
System	Processor : Intel® Baytrail-D J1900 2.0Ghz Quad Core SOC BIOS : AMI uEFI BIOS, 64Mbit SPI Flash ROM System Chipset : Valleyview SoC Integrated I/O Chipset : NCT6106D (Nuvoton) Memory : DDR3L 4GB (Basic Option) One 204-pin SODIMM DDR3L 1066/1333 Mhz Up to 8GB Storage : SSD Flash Disk 128GB (MLC)(Basic Option) Option : SSD 256GB/SSD 500GB/SSD 1TB Audio Code : Realtek ALC888S Support 5.1-CH Audio DVD-ROM : No.
I/O	Serial Port : 3×RS-232 / 1×RS-485 Ethernet : 2×LAN (GbE) (LAN1 - Realtek RTL8111E) (LAN2 - INTEL 82574L Gigabit Ethernet) USB : 5×USB (1×USB 3.0 / 4×USB 2.0) HDMI : 1×HDMI (1.3 Support Max Resolution 1920×1200 @ 60Hz) VGA : 1×VGA (Max. Resolution 1920×1200 @ 60Hz) Audio Interface : 1×Speaker Jack
Electrical and Operating Requirements	Input : AC100~240V (Adaptor) DC12~24V (Terminal Block) Operating Temperature : 0°C ~ 50°C Storage Temperature : -20°C ~ 60°C Relative Humidity : 0°C ~ 90% Noncondensing Anti-Vibration : IEC60068-2-64, IEC60068-2-27 Electric Discharge : EN61000-4-2 / KN32,35 2015 / Contact : 4kV / Air : 8kV Installation Methods : LUG Bracket VESA Mount : 75×75 / 100×100 Dimension : 555×345×74 (MAX 94) (mm) Cutting Size : 539×329 (mm) Weight : 9.8kg PCI-E Slot Size : 190×226 (mm)

Option

Wireless LAN	Intel Wireless LAN IEEE 802.11a / b / g / n Expansion PCI-E Slot
O/S	Window 10 IoT Enterprise (KOR/ENG) 64bit (O/S Protection UWF - Option)

Product Size

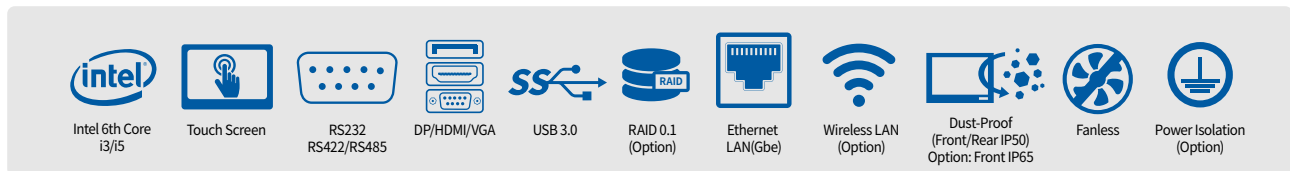


Panel PC XPC-NTP12KF

Touch Screen Panel PC
Intel 6th Generation i3 / i5
Fanless & Dust-Proof / RAID / Power Isolation



Features



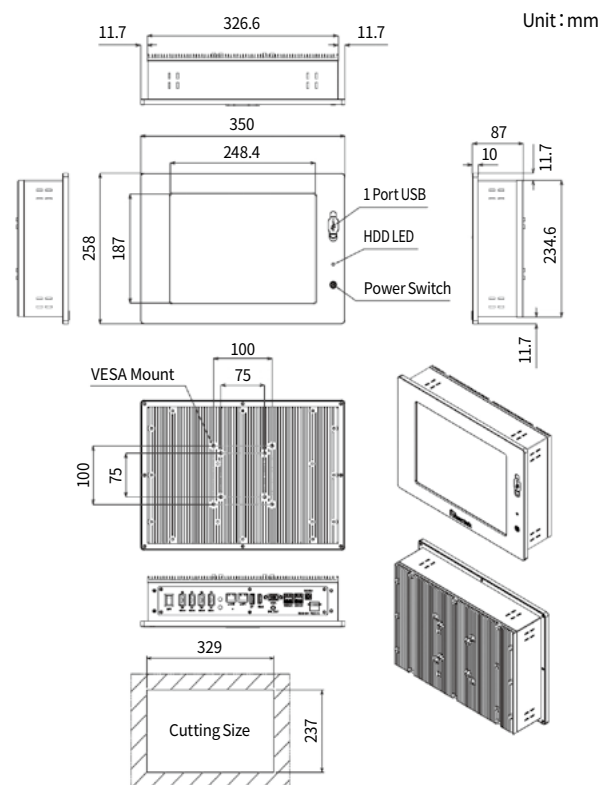
Specification

Display	12.1" LED Backlight LCD / TFT LCD Panel Resolution : 1024×768 (4:3 Aspect Ratio) White Luminance : 350 cd / m ² Contrast Ratio : 800
Touch Screen	5-Wire Resistive Touch Interface : USB
System	Processor : Intel 6th Core i3 / i5 Skylake CPU BIOS : AMI uEFI BIOS, 128Mbit SPI Flash ROM System Chipset : H110 I/O Chipset : Nuvoton NCT6106D Memory : DDR4L 4GB (Basic Option) Two 260-pin SODDIM DDR4 2133Mhz up to 32GB Storage : SSD Flash Disk 128GB (MLC)(Basic Option) Option : SSD256GB / SSD512GB / SSD128GB+HDD1TB Display : Dual Audio Code : Realtek ALC888S, 5.1-CH HD Audio Codec Expansion : No.
I/O	Serial Port : 4×RS-232 (Basic), (1×RS485 or 1×RS422 Selectable) Ethernet : 2×LAN (GbE) (LAN1 - Intel i219LM GbE LAN) (LAN2 - Intel 82574L GbE LAN <- Supports EtherCAT) USB : 5×USB (4×USB 3.0 / 1×Silicon Front USB 2.0) HDMI : 1×HDMI (1.4a Support Max Resolution 4096×2160 @ 30Hz) DP : 1×DP (Max. Resolution 4096×2304 @ 60Hz) VGA : 1×VGA (Max. Resolution 1920×1200 @ 60Hz) Audio Interface : 1×Line Out (SPK-OUT) Terminal Block : 1×3pin Terminal Block (DC12V or 24V)
Electrical and Operating Requirements	Input : AC100~240V (Adaptor) DC12 / 24V (Terminal Block) (Option) Power Consumption : DC12V / 10A (120W) or DC24V / 5A (120W) (Option) Operating Temperature : 0°C ~ 50°C (32°F ~ 122°F) Storage Temperature : -20°C ~ 60°C Relative Humidity : 0°C ~ 90% Noncondensing Anti-Vibration : IEC60068-2-64, IEC60068-2-27 Electric Discharge : EN61000-4-2 / KN32,35 2015 / Contact : 4kV / Air : 8kV Material : Front Aluminum Bezel Installation Methods : LUG Bracket, VESA Mount Dimension : 350×258×87 (mm) Cutting Size : 329×237 (mm) Weight : 6kg

Option

Input Voltage	XPC-NTP12KF-12V, XPC-NTP12KF-24V
UWF	Unified Write Filter
O/S	Window 10 IoT Enterprise (KOR/ENG) 64bit (O/S Protection UWF - Option)

Product Size

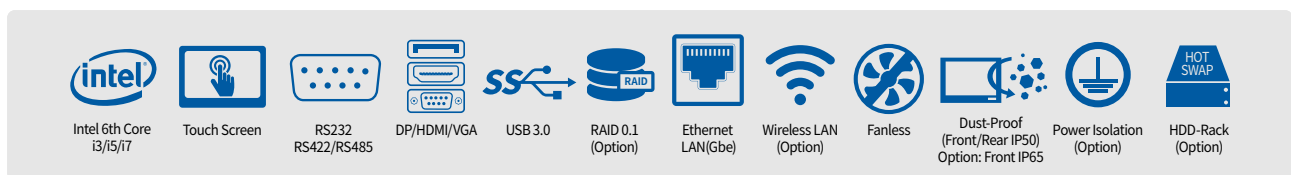


Panel PC XPC-NTP15KF

Touch Screen Panel PC
Intel 6th Generation i3 / i5 / i7
Fanless & Dust-Proof / RAID / Power Isolation



Features



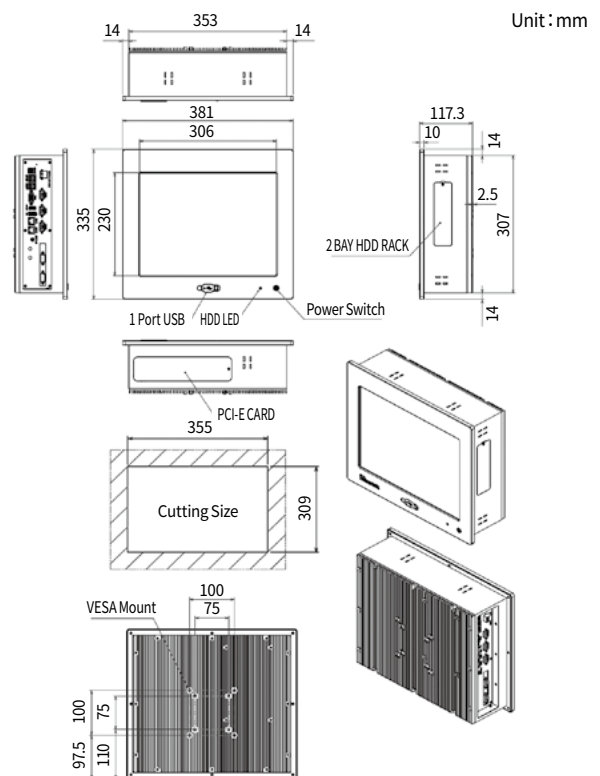
Specification

Display	15" LED Backlight LCD / TFT LCD Panel Resolution : 1024×768 (4:3 Aspect Ratio) White Luminance : 300 cd / m ² Contrast Ratio : 700
Touch Screen	5-Wire Resistive Touch Interface : USB
System	Processor : Intel 6th Core i3 / i5 / i7 Skylake CPU BIOS : AMI uEFI BIOS, 128Mbit SPI Flash ROM System Chipset : H110 I/O Chipset : Nuvoton NCT6106D Memory : DDR4L 4GB (Basic Option) Two 260-pin SODDIM DDR4 2133Mhz up to 32GB Storage : SSD Flash Disk 128GB (MLC)(Basic Option) Option : SSD256GB / SSD512GB / SSD128GB+HDD1TB Display : Dual Audio Code : Realtek ALC888S, 5.1-CH HD Audio Codec Expansion : 1×PCIe (4×)
I/O	Serial Port : 3×RS-232 (1×RS485 or RS422 Selectable) Ethernet : 2×LAN (GbE) (LAN1 - Intel I219LM GbE LAN) (LAN2 - Intel 82574L GbE LAN <- Supports EtherCAT) USB : 5×USB (4×USB 3.0 / 1×Silicon Front USB 2.0) HDMI : 1×HDMI (1.4a Support Max Resolution 4096×2160 @ 30Hz) DP : 1×DP (Max. Resolution 4096×2304 @ 60Hz) VGA : 1×VGA (Max. Resolution 1920×1200 @ 60Hz) Audio Interface : 1×Line Out (SPK-OUT) Terminal Block : 1×3pin Terminal Block (DC12V or 24V)
Electrical and Operating Requirements	Input : AC100~240V (Adaptor), DC12 / 24V (Terminal Block) (Option) Power Consumption : DC12V / 10A (120W) or DC24V / 5A (120W) (Option) Operating Temperature : 0°C ~ 50°C (32°F ~ 122°F) Storage Temperature : -20°C ~ 60°C Relative Humidity : 0°C ~ 90% Noncondensing Anti-Vibration : IEC60068-2-64, IEC60068-2-27 Electric Discharge : EN61000-4-2 / KN32,35 2015 / Contact : 4kV / Air : 8kV Material : Front Aluminum Bezel Installation Methods : LUG Bracket, VESA Mount Dimension : 381×335×117.3 (mm) Cutting Size : 355×309 (mm) Weight : 8.6kg PCI-E Slot Size : 96×190 (mm)

Option

Input Voltage	XPC-NTP15KF-12V, XPC-NTP15KF-24V
UWF	Unified Write Filter
O/S	Window 10 IoT Enterprise (KOR/ENG) 64bit (O/S Protection UWF - Option)

Product Size



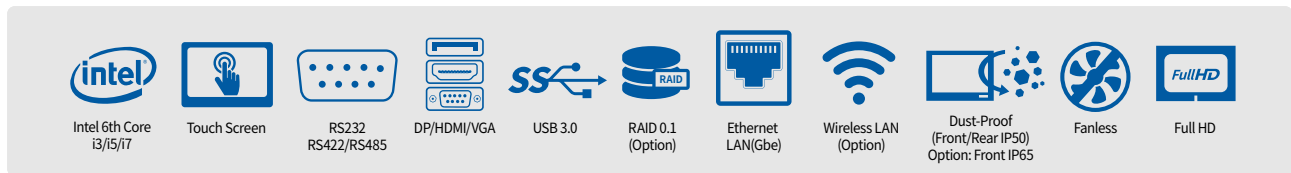
※ if Core i7, Depth 10mm UP & VESA MOUNT are removed.

Panel PC XPC-NTP15KF-FHD

Touch Screen Panel PC
Intel 6th Generation i3 / i5 / i7
Fanless & Dust-Proof



Features



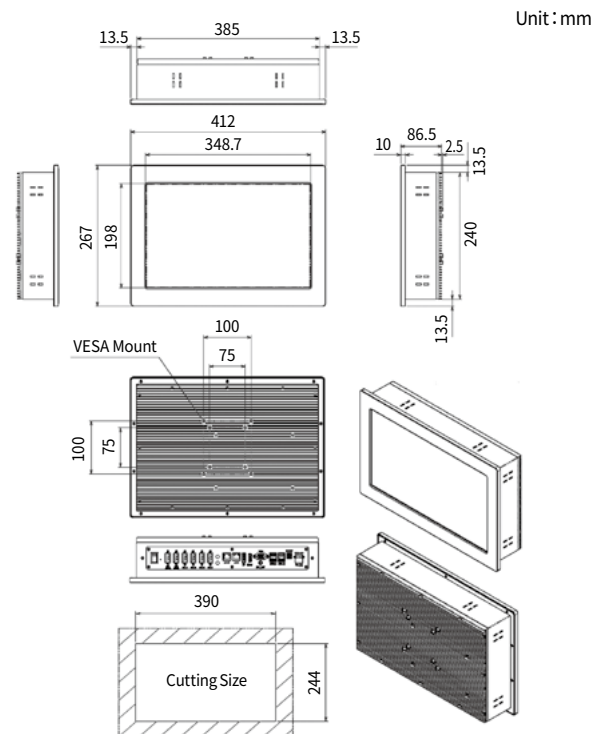
Specification

Display	15.6" LED Backlight LCD / TFT LCD Panel Resolution : 1920×1080 FHD (16:9 Wide) White Luminance : 300 cd / m ² Contrast Ratio : 700
Touch Screen	Capacitive Touch Interface : USB
System	Processor : Intel® 6th Core i3 / i5 / i7 Skylake CPU BIOS : AMI uEFI BIOS, 128Mbit SPI Flash ROM System Chipset : H110 I/O Chipset : Nuvoton NCT6106D Memory : DDR4L 4GB (Basic Option) Two 260-pin SODDIM DDR4 2133Mhz up to 32GB Storage : SSD Flash Disk 128GB (MLC)(Basic Option) Option : SSD256GB / SSD512GB / SSD128GB+HDD1TB Audio Code : Realtek ALC888S Support 5.1-CH Audio DVD-ROM : No.
I/O	Serial Port : Select 1 : 4×RS-232 / 1×RS-422 / 1×RS-485 Ethernet : 2×LAN (Gbe) (LAN1 - Intel I219LM GbE LAN) (LAN2 - Intel 82574L Gigabit Ethernet) USB : 4×USB (1×USB 3.0 / 3×USB 2.0) HDMI : 1×HDMI (1.4 Support Max Resolution 4096×2160 @ 30Hz) DP : 1×DP (Max. Resolution 4096×2304 @ 60Hz) VGA : 1×VGA (Max. Resolution 1920×1200 @ 60Hz) Audio Interface : 1×Mlc in, 1×Line Out (SPK-OUT) Terminal Block : 1×3pin Terminal Block (DC12V or 24V)
Electrical and Operating Requirements	Input : AC100~240V (Adaptor) DC12 / 24V (Terminal Block) (Option) Operating Temperature : 0°C ~ 50°C Storage Temperature : -20°C ~ 60°C Relative Humidity : 0°C ~ 90% Noncondensing Anti-Vibration : IEC60068-2-64, IEC60068-2-27 Electric Discharge : EN61000-4-2 / KN32,35 2015 / Contact : 4kV / Air : 8kV Installation Methods : LUG Bracket, VESA Mount Dimension : 412×267×86.5 (mm) Cutting Size : 390×244 (mm) Weight : 8kg

Option

Input Voltage	XPC-NTP15KF-FHD-12V, XPC-NTP15KF-FHD-24V
UWF	Unified Write Filter
O/S	Window 10 IoT Enterprise (KOR/ENG) 64bit (O/S Protection UWF - Option)

Product Size



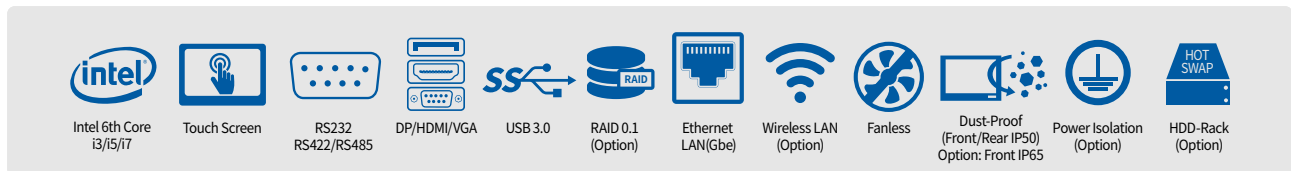
※ if Core i7, Depth 10mm UP & VESA MOUNT are removed.

Panel PC XPC-NTP17KF

Touch Screen Panel PC
Intel 6th Generation i3 / i5 / i7
Fanless & Dust-Proof / RAID / Power Isolation



Features



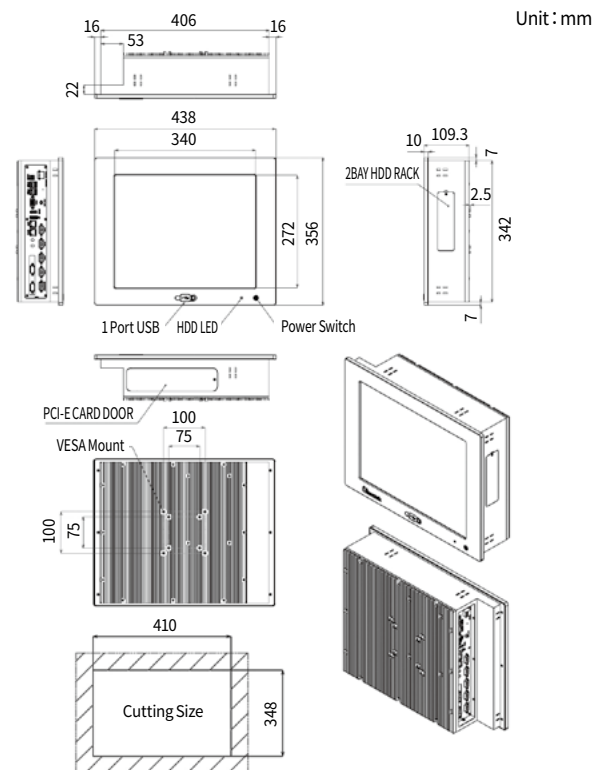
Specification

Display	17" LED Backlight LCD / TFT LCD Panel Resolution : 1280×1024 (4:3 Aspect Ratio) White Luminance : 350 cd / m ² Contrast Ratio : 800
Touch Screen	5-Wire Resistive Touch Interface : USB
System	Processor : Intel 6th Core i3 / i5 / i7 Skylake CPU BIOS : AMI uEFI BIOS, 128Mbit SPI Flash ROM System Chipset : H110 I/O Chipset : Nuvoton NCT6106D Memory : DDR4L 4GB (Basic Option) Two 260-pin SODDIM DDR4 2133Mhz up to 32GB Storage : SSD Flash Disk 128GB (MLC)(Basic Option) Option : SSD256GB / SSD512GB / SSD128GB+HDD1TB Multi Display : Dual Audio Code : Realtek ALC888S, 5.1-CH Audio Codec Expansion : 1×PCIe (4×)
I/O	Serial Port : 4×RS-232, 1×RS485 (or RS422 Selectable) Ethernet : 2×LAN (GbE) (LAN1 - Intel I219LM GbE LAN) (LAN2 - Intel 82574L GbE LAN <- Supports EtherCAT) USB : 5×USB (4×USB 3.0 / 1×Silicon Front USB 2.0) HDMI : 1×HDMI (1.4a Support Max Resolution 4096×2160 @ 24Hz) DP : 1×DP (Max. Resolution 4096×2304 @ 60Hz) VGA : 1×VGA (Max. Resolution 1920×1200 @ 60Hz) Audio Interface : 1×Line Out (SPK-OUT) Terminal Block : 1×3pin Terminal Block (DC12V or 24V)
Electrical and Operating Requirements	Input : AC100-240V (Adaptor), DC12 / 24V (Terminal Block) (Option) Power Consumption : DC12V / 10A (120W) or DC24V / 5A (120W) (Option) Operating Temperature : 0°C ~ 50°C (32°F ~ 122°F) Storage Temperature : -20°C ~ 60°C Relative Humidity : 0% ~ 90% Noncondensing Anti-Vibration : IEC60068-2-64, IEC60068-2-27 Electric Discharge : EN61000-4-2 / KN32,35 2015 / Contact : 4kV / Air : 8kV Material : Front Aluminum Bezel Installation Methods : LUG Bracket, VESA Mount Dimension : 438×356×109.3 (mm) Cutting Size : 410×348 (mm) Weight : 10kg PCI-E Slot Size : 104×192 (mm)

Option

Input Voltage	XPC-NTP17KF-12V, XPC-NTP17KF-24V
UWF	Unified Write Filter
O/S	Window 10 IoT Enterprise (KOR/ENG) 64bit (O/S Protection UWF - Option)

Product Size



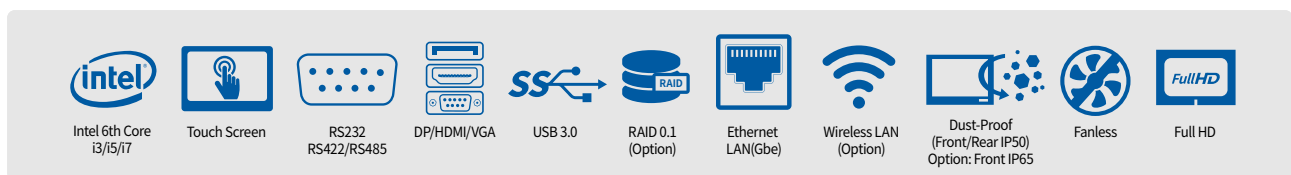
※ if Core i7, Depth 10mm UP & VESA MOUNT are removed.

Panel PC XPC-NTP19KF-FHD

Touch Screen Panel PC
Intel 6th Generation i3 / i5 / i7
Fanless & Dust-Proof



Features



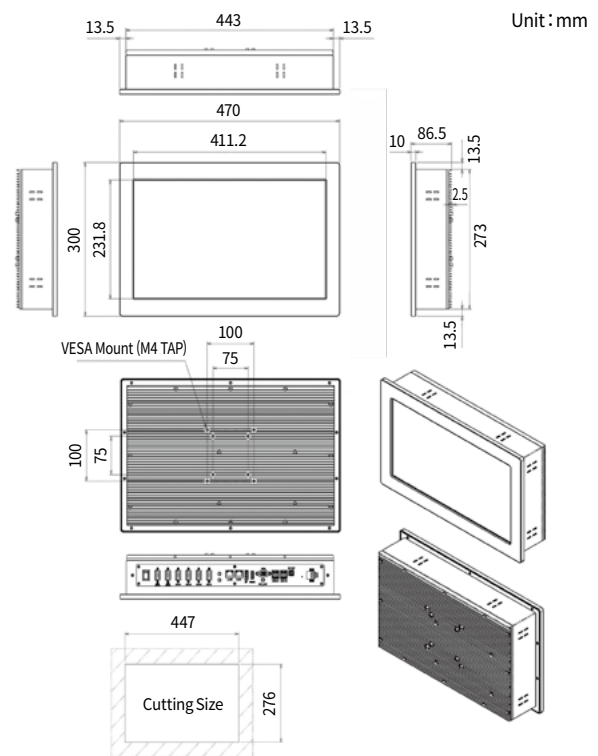
Specification

Display	18.5" LED Backlight LCD / TFT LCD Panel Resolution : 1920×1080 FHD (16:9 Wide) White Luminance : 300 cd / m ² Contrast Ratio : 700
Touch Screen	5-Wire Resistive Touch Interface : USB
System	Processor : Intel® 6th Core i3 / i5 / i7 Skylake CPU BIOS : AMI uEFI BIOS, 128Mbit SPI Flash ROM System Chipset : H110 I/O Chipset : Nuvoton NCT6106D Memory : DDR4L 4GB (Basic Option) Two 260-pin SODDIM DDR4 2133MHz up to 32GB Storage : SSD Flash Disk 128GB (MLC)(Basic Option) Option : SSD256GB / SSD512GB / SSD128GB+HDD1TB Audio Code : Realtek ALC888S Support 5.1-CH Audio DVD-ROM : No.
I/O	Serial Port : Select 1 : 4×RS-232 / 1×RS-422 / 1×RS-485 (Basic) Ethernet : 2×LAN (GbE) (LAN1 - Intel I219LM GbE LAN) (LAN2 - Intel 82574L Gigabit Ethernet) USB : 4×USB (1×USB 3.0 / 3×USB 2.0) HDMI : 1×HDMI (1.4 Support Max Resolution 4096×2160 @ 30Hz) DP : 1×DP (Max. Resolution 4096×2304 @ 60Hz) VGA : 1×VGA (Max. Resolution 1920×1200 @ 60Hz) Audio Interface : 1×Mlc in, 1×Line Out (SPK-OUT) Terminal Block : 1×3pin Terminal Block (DC12V or 24V)
Electrical and Operating Requirements	Input : AC100~240V (Adaptor) DC12 / 24V (Terminal Block) (Option) Operating Temperature : 0°C ~ 50°C Storage Temperature : -20°C ~ 60°C Relative Humidity : 0°C ~ 90% Noncondensing Anti-Vibration : IEC60068-2-64, IEC60068-2-27 Electric Discharge : EN61000-4-2 / KN32,35 2015 / Contact : 4kV / Air : 8kV Installation Methods : LUG Bracket, VESA Mount Dimension : 470×300×86.5 (mm) Cutting Size : 447×276 (mm) Weight : 10.5kg

Option

Input Voltage	XPC-NTP19KF-FHD-12V, XPC-NTP19KF-FHD-24V
UWF	Unified Write Filter
O/S	Window 10 IoT Enterprise (KOR/ENG) 64bit (O/S Protection UWF - Option)

Product Size















※ if Core i7, Depth 10mm UP & VESA MOUNT are removed.

Panel PC XPC-NTP19KF

Touch Screen Panel PC
Intel 6th Generation i3 / i5 / i7
Fanless & Dust-Proof / RAID / Power Isolation



Features

 Intel 6th Core i3/i5/i7	 Touch Screen	 RS232 RS422/RS485	 DP/HDMI/VGA	 USB 3.0	 RAID 0,1 (Option)	 Ethernet LAN(Gbe)	 Wireless LAN (Option)	 Fanless	 Dust-Proof (Front/Rear IP50) Option: Front IP65	 Power Isolation (Option)	 HDD-Rack (Option)
---	---	---	--	--	---	---	--	--	--	--	---

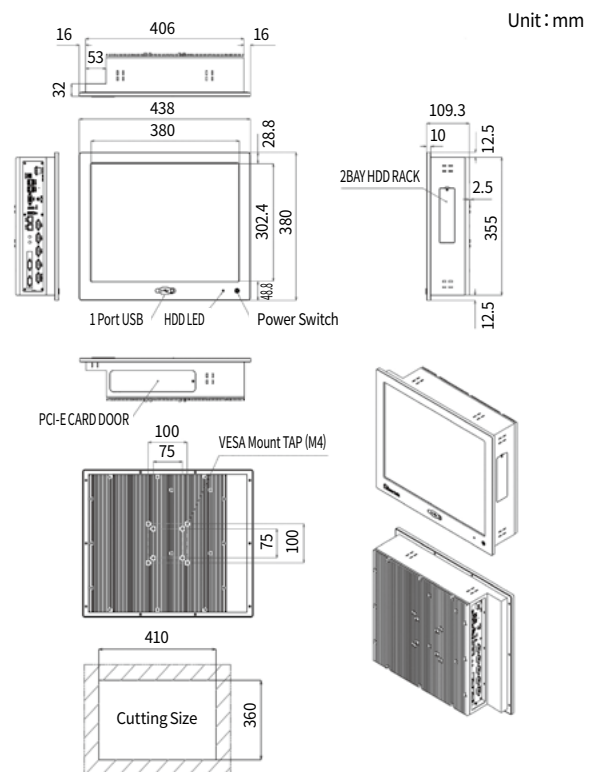
Specification

Display	19" LED Backlight LCD / TFT LCD Panel Resolution : 1280×1024 (4:3 Aspect Ratio) White Luminance : 350 cd / m ² Contrast Ratio : 1000
Touch Screen	5-Wire Resistive Touch Interface : USB
System	Processor : Intel 6th Core i3 / i5 / i7 Skylake CPU BIOS : AMI uEFI BIOS, 128Mbit SPI Flash ROM System Chipset : H110 I/O Chipset : Nuvoton NCT6106D Memory : DDR4L 4GB (Basic Option) Two 260-pin SODDIM DDR4 2133Mhz up to 32GB Storage : SSD Flash Disk 128GB (MLC)(Basic Option) Option : SSD256GB / SSD512GB / SSD128GB+HDD1TB Multi Display : Dual Audio Code : Realtek ALC888S, 5.1-CH HD Audio Codec Expansion : 1×PCIe (4×)
I/O	Serial Port : 4×RS-232, 1×RS485 (or RS422 Selectable) Ethernet : 2×LAN (GbE) (LAN1 - Intel I219LM GbE LAN) (LAN2 - Intel 82574L GbE LAN <- Supports EtherCAT) USB : 5×USB (4×USB 3.0 / 1×Silicon Front USB 2.0) HDMI : 1×HDMI (1.4a Support Max Resolution 4096×2160 @ 30Hz) DP : 1×DP (Max. Resolution 4096×2304 @ 60Hz) VGA : 1×VGA (Max. Resolution 1920×1200 @ 60Hz) Audio Interface : 1×Line Out (SPK-OUT) Terminal Block : 1×3pin Terminal Block (DC12V or 24V)
Electrical and Operating Requirements	Input : AC100~240V (Adaptor), DC12/24V (Terminal Block) (Option) Power Consumption : DC12V / 10A (120W) or DC24V / 5A (120W) (Option) Operating Temperature : 0°C ~ 50°C (32°F ~ 122°F) Storage Temperature : -20°C ~ 60°C Relative Humidity : 0°C ~ 90% Noncondensing Anti-Vibration : IEC60068-2-64, IEC60068-2-27 Electric Discharge : EN61000-4-2 / KN32,35 2015 / Contact : 4kV / Air : 8kV Material : Front Aluminum Bezel Installation Methods : LUG Bracket, VESA Mount Dimension : 438×380×109.3 (mm) Cutting Size : 410×360 (mm) Weight : 10.6kg

Option

Input Voltage	XPC-NTP19KF-12V, XPC-NTP19KF-24V
UWF	Unified Write Filter
O/S	Window 10 IoT Enterprise (KOR/ENG) 64bit (O/S Protection UWF - Option)

Product Size



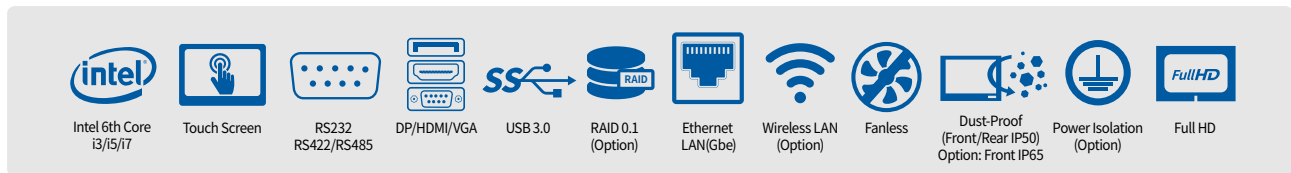
※ if Core i7, Depth 10mm UP & VESA MOUNT are removed.

Panel PC XPC-NTP21KF

Touch Screen Panel PC
Intel 6th Generation i3 / i5 / i7
Fanless & Dust-Proof / Slim / Power Isolation



Features



Specification

Display	21.5" LED Backlight LCD / TFT LCD Panel Resolution : Full HD 1920×1080 (16:9 Aspect Ratio) White Luminance : 300 cd / m ² Contrast Ratio : 1000
Touch Screen	5-Wire Resistive Touch Interface : USB
System	Processor : Intel 6th Core i3 / i5 / i7 Skylake CPU BIOS : AMI uEFI BIOS, 128Mbit SPI Flash ROM System Chipset : H110 I/O Chipset : Nuvoton NCT6106D Memory : DDR4L 4GB (Basic Option) Two 260-pin SODDIM DDR4 2133Mhz up to 32GB Storage : SSD Flash Disk 128GB (MLC)(Basic Option) Option : SSD256GB / SSD512GB / SSD128GB+HDD1TB Multi Display : Dual Audio Code : Realtek ALC888S, 5.1-CH HD Audio Codec Expansion : 1×PCIe (4×)
I/O	Serial Port : 4×RS-232, 1×RS485 (or RS422 Selectable) Ethernet : 2×LAN (GbE) (LAN1 - Intel I219LM GbE LAN) (LAN2 - Intel 82574L GbE LAN <- Supports EtherCAT) USB : 5×USB (4×USB 3.0 / 1×Silicon Front USB 2.0) HDMI : 1×HDMI (1.4a Support Max Resolution 4096×2160 @ 30Hz) DP : 1×DP (Max. Resolution 4096×2304 @ 60Hz) VGA : 1×VGA (Max. Resolution 1920×1200 @ 60Hz) Audio Interface : 1×Line Out (SPK-OUT) Terminal Block : 1×3pin Terminal Block (DC12V or 24V)
Electrical and Operating Requirements	Input : AC100~240V (Adaptor), DC12 / 24V (Terminal Block) (Option) Power Consumption : DC12V / 10A (120W) or DC24V / 5A (120W) (Option) Operating Temperature : 0°C ~ 50°C (32°F ~ 122°F) Storage Temperature : -20°C ~ 60°C Relative Humidity : 0°C ~ 90% Noncondensing Anti-Vibration : IEC60068-2-64, IEC60068-2-27 Electric Discharge : EN61000-4-2 / KN32,35 2015 / Contact : 4kV / Air : 8kV Installation Methods : LUG Bracket, VESA Mount Dimension : 555×345×91.2 (mm) Cutting Size : 538×328 (mm) Weight : 10.7kg PCI-E Slot Size : 173×183 (mm)

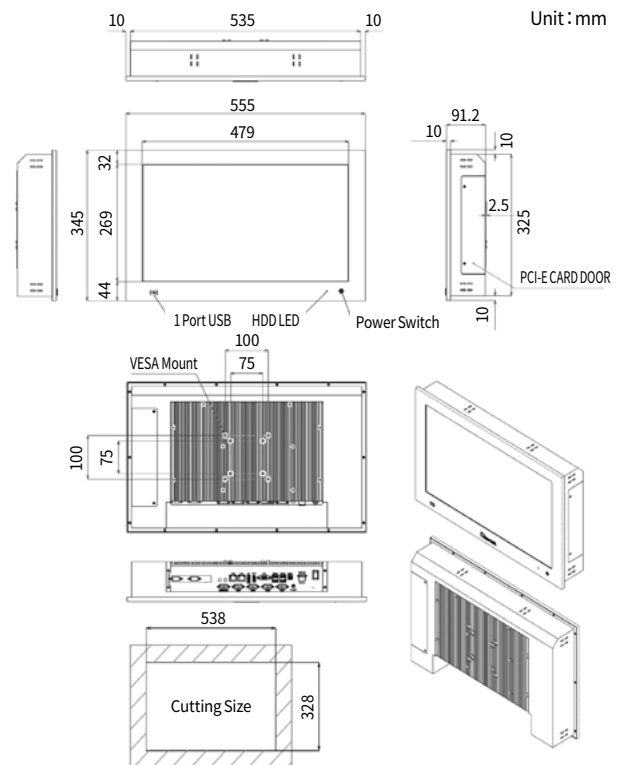
Option

Input Voltage XPC-NTP21KF-12V, XPC-NTP21KF-24V

UWF Unified Write Filter

O/S Window 10 IoT Enterprise (KOR/ENG) 64bit
(O/S Protection UWF - Option)

Product Size



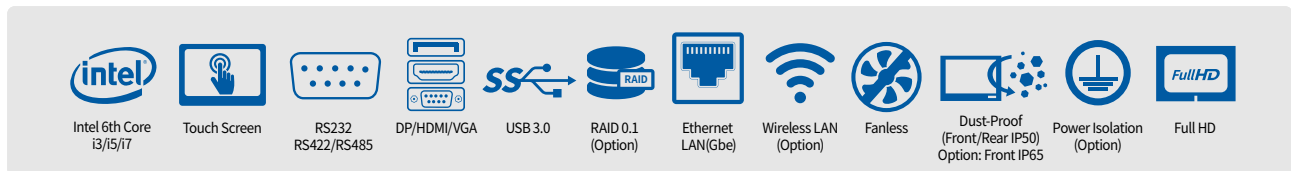
※ if Core i7, Depth 10mm UP & VESA MOUNT are removed.

Panel PC XPC-NTP24KF

Touch Screen Panel PC
Intel 6th Generation i3 / i5 / i7
Fanless & Dust-Proof / Slim / Power Isolation



Features



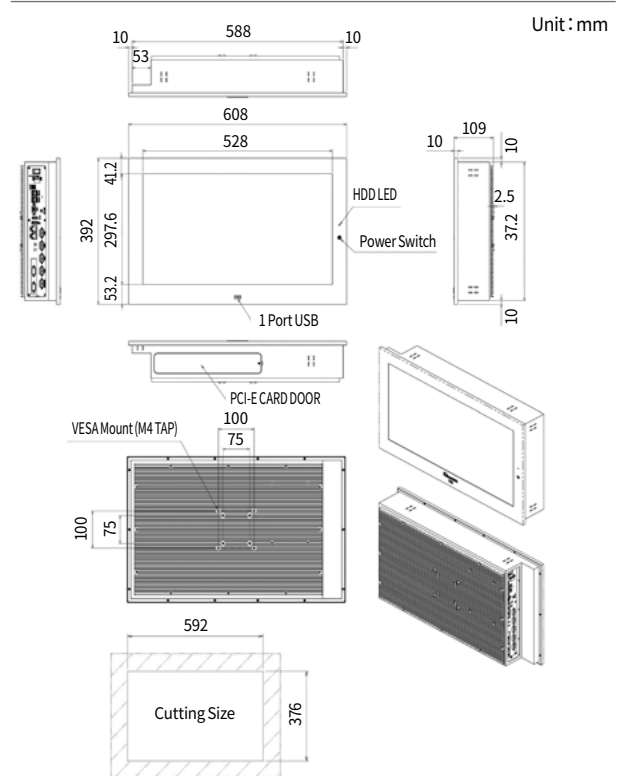
Specification

Display	24" LED Backlight LCD / TFT LCD Panel Resolution : Full HD 1920×1080 (16:9 Aspect Ratio) White Luminance : 300 cd / m ² Contrast Ratio : 1000
Touch Screen	Capacitive Touch Interface : USB
System	Processor : Intel 6th Core i3 / i5 / i7 Skylake CPU BIOS : AMI uEFI BIOS, 128Mbit SPI Flash ROM System Chipset : H110 I/O Chipset : Nuvoton NCT6106D Memory : DDR4L 4GB (Basic Option) Two 260-pin SODDIM DDR4 2133Mhz up to 32GB Storage : SSD Flash Disk 128GB (MLC)(Basic Option) Option : SSD256GB / SSD512GB / SSD128GB+HDD1TB Multi Display : Dual Audio Code : Realtek ALC888S, 5.1-CH HD Audio Codec Expansion : 1×PCIe (4×)
I/O	Serial Port : 4×RS-232, 1×RS485 (or RS422 Selectable) Ethernet : 2×LAN (GbE) (LAN1 - Intel I219LM GbE LAN) (LAN2 - Intel 82574L GbE LAN <- Supports EtherCAT) USB : 5×USB (4×USB 3.0 / 1×Silicon Front USB 2.0) HDMI : 1×HDMI (1.4a Support Max Resolution 4096×2160 @ 30Hz) DP : 1×DP (Max. Resolution 4096×2304 @ 60Hz) VGA : 1×VGA (Max. Resolution 1920×1200 @ 60Hz) Audio Interface : 1×Line Out (SPK-OUT) Terminal Block : 1×3pin Terminal Block (DC12V or 24V)
Electrical and Operating Requirements	Input : AC100~240V (Adaptor) DC12 / 24V (Terminal Block) (Option) Power Consumption : DC12V / 10A (120W) or DC24V / 5A (120W) (Option) Operating Temperature : 0°C ~ 50°C (32°F ~ 122°F) Storage Temperature : -20°C ~ 60°C Relative Humidity : 0°C ~ 90% Noncondensing Anti-Vibration : IEC60068-2-64, IEC60068-2-27 Electric Discharge : EN61000-4-2 / KN32,35 2015 / Contact : 4kV / Air : 8kV Installation Methods : LUG Bracket, VESA Mount Dimension : 608×392×118.5 (mm) Cutting Size : 592×376 (mm) Weight : 11.7kg PCI-E Slot Size : 106×242 (mm)

Option

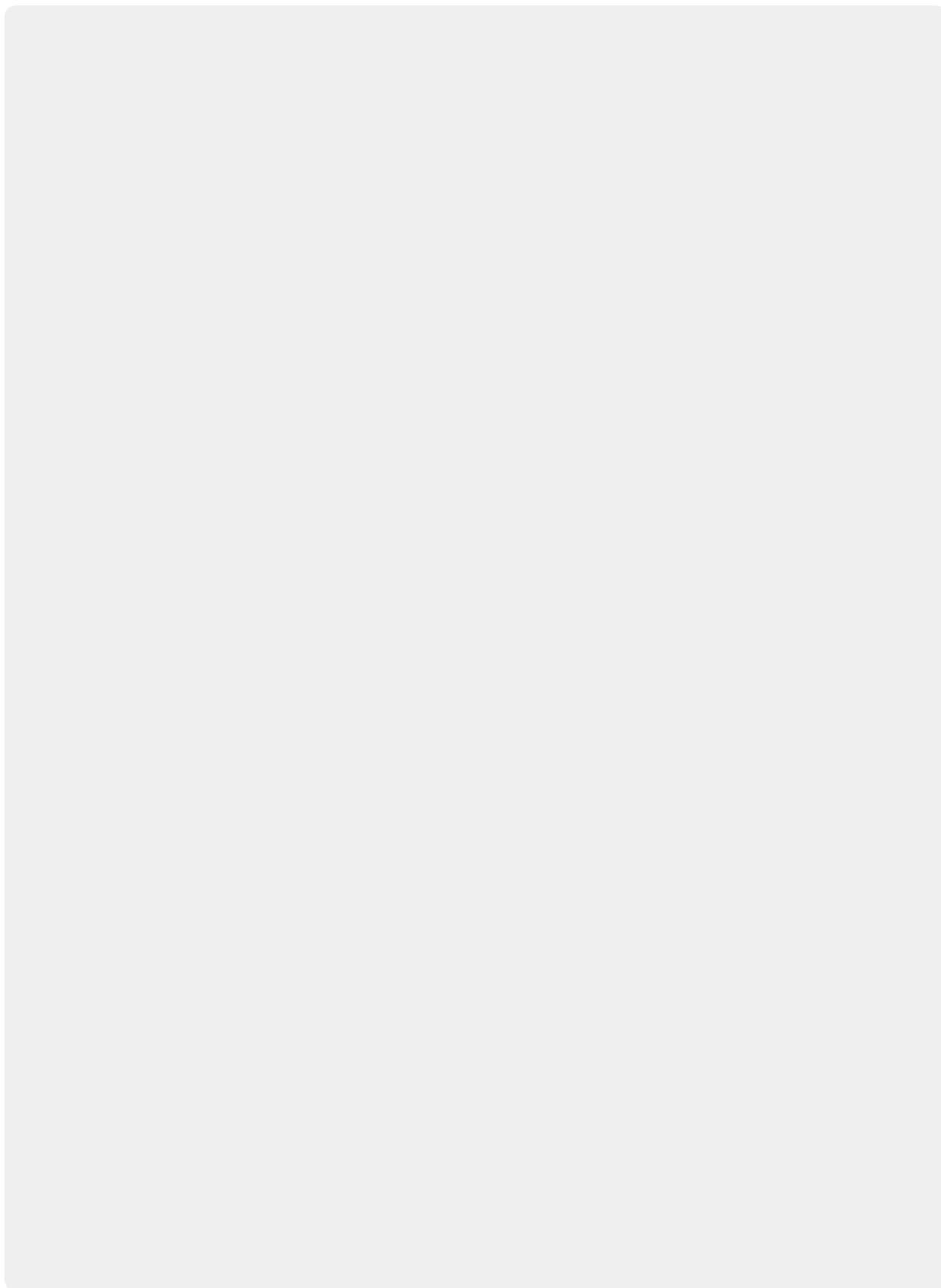
Input Voltage	XPC-NTP24KF-12V, XPC-NTP24KF-24V
UWF	Unified Write Filter
O/S	Window 10 IoT Enterprise (KOR/ENG) 64bit (O/S Protection UWF - Option)

Product Size



※ if Core i7, Depth 10mm UP & VESA MOUNT are removed.

Memo





Safety Instructions

- For your safety, please read user's manual thoroughly before operating.
- Contact the nearest authorized service facility for examination, repair, or adjustment.
- Please contact qualified service technician when you need maintenance. Do not disassemble or repair by yourself!
- Any maintenance and inspection shall be performed by the personnel having expertise concerned.



- According to The WEEE Directive, please do not discard the device with your household waste.



www.lselectric.co.kr

■ Headquarter

LS-ro 127(Hogye-dong) Dongan-gu, Anyang-si, Gyeonggi-Do, 14119, Korea

■ Seoul Office

LS Yongsan Tower, 92, Hangang-daero, Yongsan-gu, Seoul, 04386, Korea
Tel: 82-2-2034-4033, 4888, 4703 Fax: 82-2-2034-4588

Southeast Asia +82-2-2034-4888 cshwang@lselectric.com (Charles Hwang)

Europe +82-2-2034-4676 sukyong@lselectric.com (Brian Choi)

Turkey/Israel/CIS +82-2-2034-4879 dkimc@lselectric.com (Daniel Kim)

Oceania +82-2-2034-4394 kacho@lselectric.com (Kendra Cho)

North/Latin America +82-2-2034-4286 hkchung@lselectric.com (Hank Raul Chung)

Southwest Asia/Africa +82-2-2034-4467 myleed@lselectric.com (Henry Lee)

Middle East +971-4-886-5360 khchoi1@lselectric.com (Lambert Choi)

■ Overseas Subsidiaries

•LS ELECTRIC Japan Co., Ltd. (Tokyo, Japan)

Tel: 81-3-6268-8241 E-Mail: jschuna@lselectric.biz

•LS ELECTRIC (Dalian) Co., Ltd. (Dalian, China)

Tel: 86-411-8730-6495 E-Mail: jiheo@lselectric.com.cn

•LS ELECTRIC (Wuxi) Co., Ltd. (Wuxi, China)

Tel: 86-510-6851-6666 E-Mail: sblee@lselectric.co.kr

•LS ELECTRIC Vietnam Co., Ltd.

Tel: 84-93-631-4099 E-Mail: jhchoi4@lselectric.biz (Hanoi)

Tel: 84-28-3823-7890 E-Mail: sjbaik@lselectric.biz (Hochiminh)

•LS ELECTRIC Middle East FZE (Dubai, U.A.E.)

Tel: 971-4-886-5360 E-Mail: salesme@lselectric.biz

•LS ELECTRIC Europe B.V. (Hoofddorf, Netherlands)

Tel: 31-20-654-1424 E-Mail: europartner@lselectric.biz

•LS ELECTRIC America Inc. (Chicago, USA)

Tel: 1-800-891-2941 E-Mail: sales.us@lselectricamerica.com

■ Overseas Branches

•LS ELECTRIC Tokyo Office (Japan)

Tel: 81-3-6268-8241 E-Mail: jschuna@lselectric.biz

•LS ELECTRIC Beijing Office (China)

Tel: 86-10-5095-1631 E-Mail: khpaek@lselectric.com.cn

•LS ELECTRIC Shanghai Office (China)

Tel: 86-21-5237-9977 E-Mail: tsjun@lselectric.com.cn

•LS ELECTRIC Guangzhou Office (China)

Tel: 86-20-3818-2883 E-Mail: chenxs@lselectric.com.cn

•LS ELECTRIC Chengdu Office (China)

Tel: 86-28-8670-3201 E-Mail: yangcf@lselectric.com.cn

•LS ELECTRIC Qingdao Office (China)

Tel: 86-532-8501-2065 E-Mail: wangzy@lselectric.com.cn

•LS ELECTRIC Nanjing Office (China)

Tel: 86-25-8467-0005 E-Mail: ylong@lselectric.com.cn

•LS ELECTRIC Bangkok Office (Thailand)

Tel: 66-90-950-9683 E-Mail: sjleet@lselectric.biz

•LS ELECTRIC Jakarta Office (Indonesia)

Tel: 62-21-2933-7614 E-Mail: yjleee@lselectric.biz

•LS ELECTRIC Moscow Office (Russia)

Tel: 7-499-682-6130 E-Mail: jdpark1@lselectric.biz

•LS ELECTRIC America Western Office (Irvine, USA)

Tel: 1-949-333-3140 E-Mail: jwyun@lselectricamerica.com