

DC MCCB (DC 1500V)

Characteristics

- Applications such as photovoltaic (PV) power generation
- Compact size
- Maximum breaking capacity
- Nominal voltage ranges up to 1500VDC
- Rated Current: 63~250A
- No. of poles: 4 Pole



Rating

AF		250AF	
		N-Type	H-Type
Type			
Model and No. of pole	4 pole	TSD250N	TSD250H
Rated current, I _n		63, 80, 100, 125, 160, 200, 250A	
Rated operational voltage, U _e		DC 1500V	
Rated insulation voltage, U _i		DC 1500V	
Rated impulse withstand voltage, U _{imp}		8kV	
Rated short-circuit breaking capacity, I _{cu}		20kA	50kA
I _{cs} = % I _{cu}		100	100
Type of trip unit		Thermal - Magnetic	
Current range	Fixed (I _r)	1 × I _n	
Magnetic trip range	Fixed (I _i)	6 × I _n	
Dimension (W×H×D, mm)		140×170×92	

Temperature derating

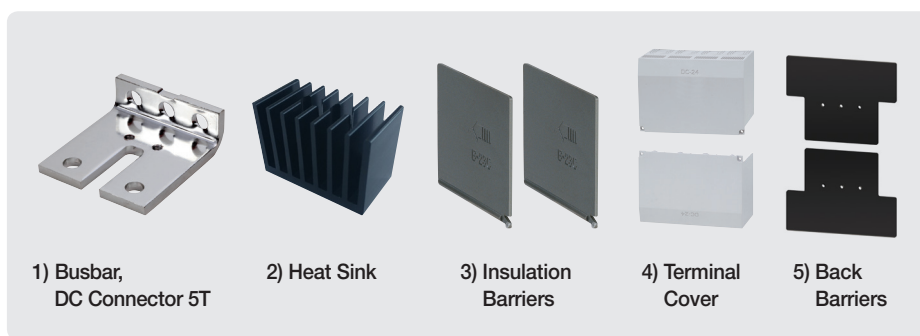
Type	Rated Current (A)			Compensated rated current in accordance with ambient temperature (A)										Terminal Connection
	Rated Current (A)	Derating Current (A)	Derating (%)	40°C		45°C		50°C		60°C		70°C		
TSD250	63	63	100%	63	100%	62	98%	60	95%	56	89%	52	83%	TS250 BUSBAR 5T
	80	80	100%	80	100%	78	98%	76	95%	71	89%	66	83%	
	100	100	100%	100	100%	98	98%	95	95%	89	89%	83	83%	
	125	125	100%	125	100%	122	98%	119	95%	111	89%	104	83%	
	160	160	100%	160	100%	155	97%	150	94%	141	88%	131	82%	
	200	200	100%	200	100%	196	98%	190	95%	178	89%	166	83%	
	250	250	100%	250	100%	243	97%	235	94%	220	88%	205	82%	

* Load-side terminal cover using derating current applied to 90%

Altitude derating

Altitude (m)	Ue (Vdc)		250AF
2000	1500V	1.00	100%
3000	1300V	0.87	98%
4000	1150V	0.77	93%
5000	1000V	0.67	90%

External accessories



Possible configuration of electrical auxiliaries

UVT

SHT

AX

AL

Maximum possibilities

Phase	Accessory	TSD250
R (Left)	AX	1
	AL	1
	SHT, UVT	1
T (Right)	AX	1
	AL	-

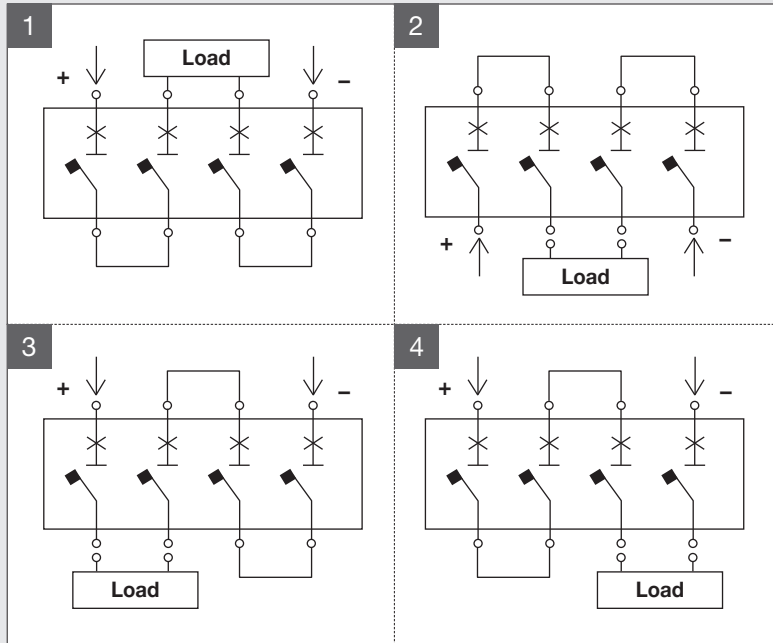
TSD250

Note) 1. The internal accessories are assembled together with the product, so be careful when ordering.
 2. SHT / UVT can not be used simultaneously

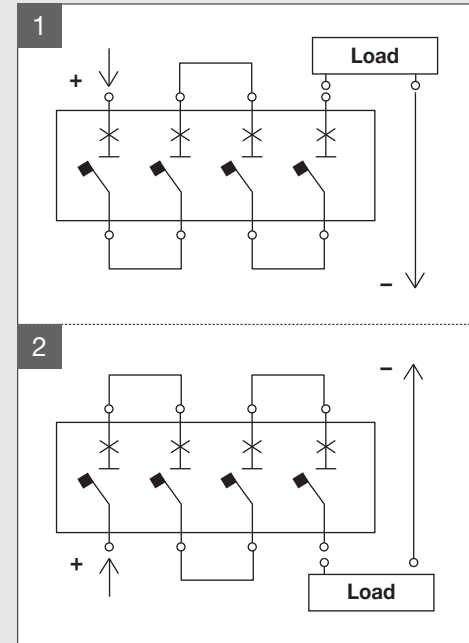
DC MCCB (DC 1500V)

Wiring diagram

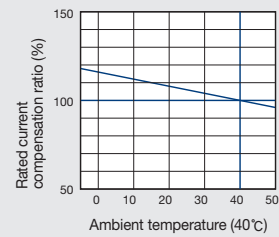
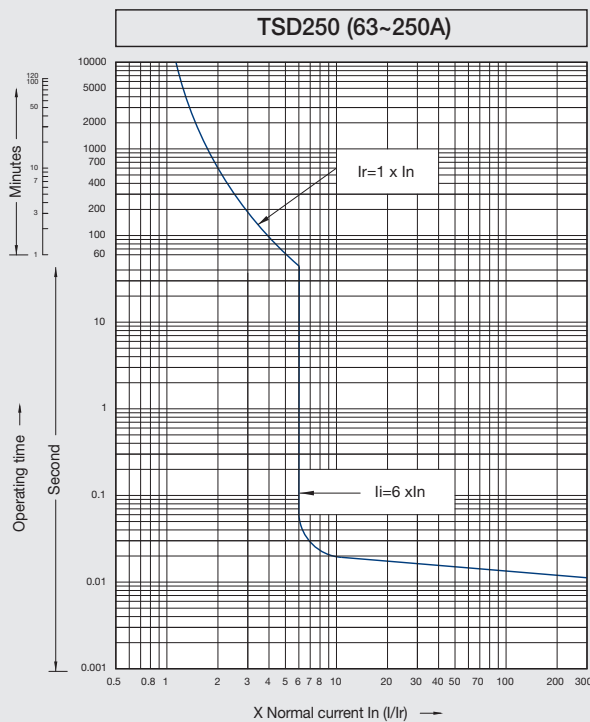
1. Unground system



2. Grounded system



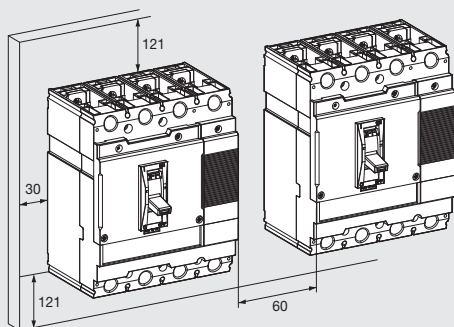
Characteristic curve



Product installation standards

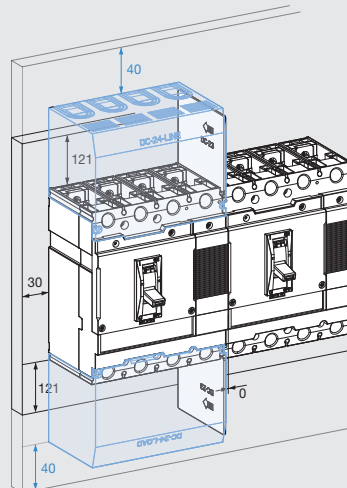
1. By insulation and separation distance

- One side (30mm or more),
- Up & down (121mm or more)
- Between products (60mm or more)

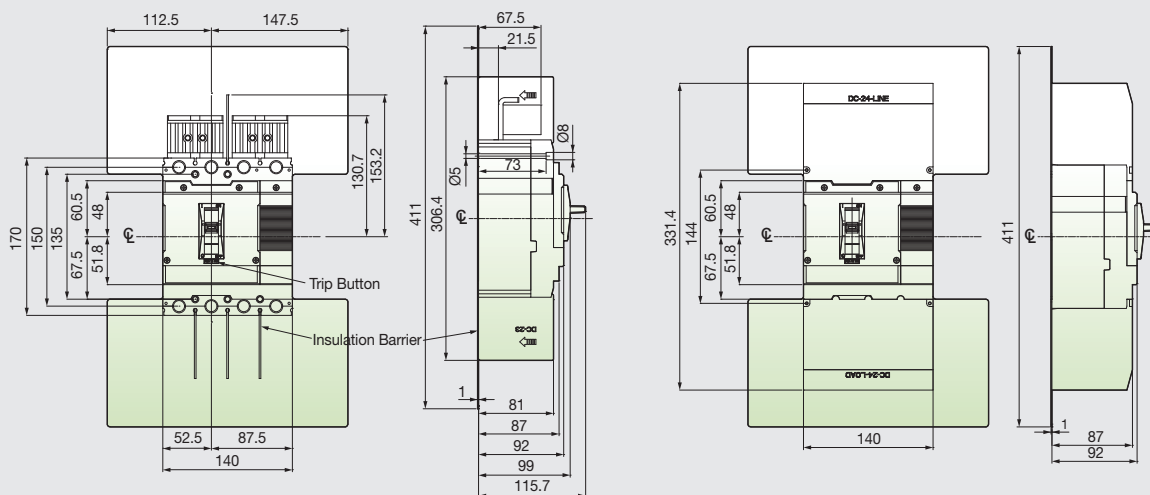


2. Close mounting

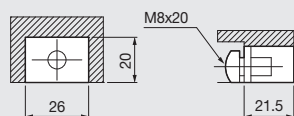
- Using barrier between phases



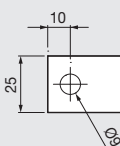
Dimensions



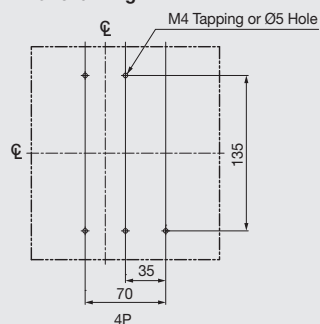
Terminal details



Connecting



Panel drilling



Front panel cutting

