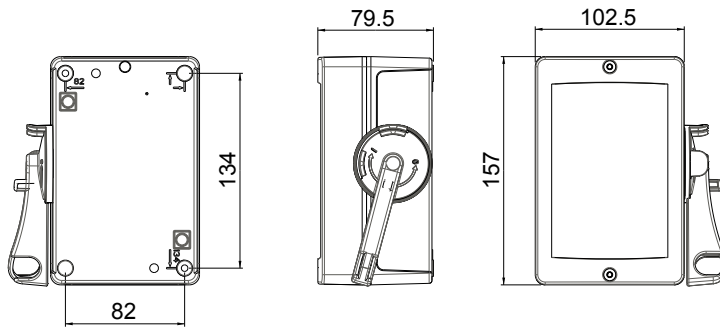


SIDE OPERATED SWITCHES ALUMINIUM ENCLOSED 16-40A



- Available in grey/black, yellow/red or fireman red
- Good resistance against UV and many chemicals
- Withstands high impact and has wide operating temperature
- Fully rated Load Break Switch breaking capacity of 8 x AC23 rating
- Cable entries: 2 x M25 as standard on the top and bottom
- Mounting holes: 134.0 x 82.0
- Padlockable handle in 0-position and also available in 1-position
- EMC shielding with EMC glands as an option
- Large cable terminals 1.5 - 16 mm²
- KE handle on right side, KEF handle on left side
- IP66
- Auxiliary contact (normally open, NO) available ONLY when specifically ordered (add S to the product code, examples: KEF 316AS, KE 316AS Y/R)



Type		AC-21	400 V	AC-22	400 V	AC-23	400 V 415 V	AC-23	690 V	EAN-Code 6419410...		Enclosure	Weight kg
			415 V 690 V		415 V 690 V					Grey/black	Yellow/red		
Grey/black	Yellow/red	I _e / A	I _e / A	I _e / A	I _e / A	P / kW	I _e / A	P / kW					
3-pole													
KE 316A	KE 316A Y/R	16 A	16 A	16 A	16 A	7.5 kW	16 A	11 kW	...304488	...304600	A2	0.9	
KE 325A	KE 325A Y/R	25 A	25 A	25 A	25 A	11 kW	25 A	22 kW	...304495	...304617	A2	0.9	
KE 340A	KE 340A Y/R	40 A	40 A	40 A	40 A	22 kW	25 A	22 kW	...304501	...304624	A2	0.9	
4-pole													
KE 416A	KE 416A Y/R	16 A	16 A	16 A	16 A	7.5 kW	16 A	11 kW	...304518	...304631	A2	0.9	
KE 425A	KE 425A Y/R	25 A	25 A	25 A	25 A	11 kW	25 A	22 kW	...304525	...304648	A2	0.9	
KE 440A	KE 440A Y/R	40 A	40 A	40 A	40 A	22 kW	25 A	22 kW	...304532	...304655	A2	0.9	