

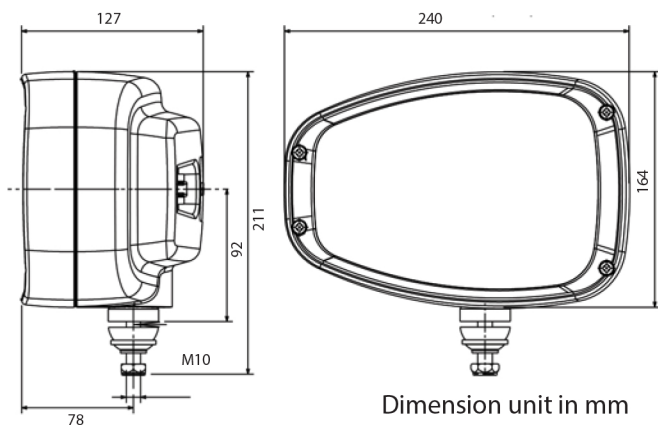
ABL 3800 LED



D14324 : 12/24V left

D14325 : 12/24V right

The ABL 3800 LED combination drive light is an ECE approved full LED product designed for on-road and off-road vehicles. It combines 5 functions: high/low beam, pilot light, turn signal and repeater.



D14352

Built-in DT 6 ways

Bulb	Modules 100% LED
Lifetime	20 000 hours
Consumption	High beam: 22W Low beam: 32W
Voltage	12-24V
EMC	ISO 13 766 ISO 14 982 ISO 12 895 CISPR25 Class 3
Water tightness	IP69K
Operating temp	-40°C to +85°C
Lens	Hardened glass

Dalroad Norslo Ltd

Enterprise Way
Luton
Bedfordshire
LU3 4BU

Tel: 01582 505 252
Fax: 01582 560 060
Email: sales@dalroad.com
Website: www.dalroad.com



DISTRIBUTOR