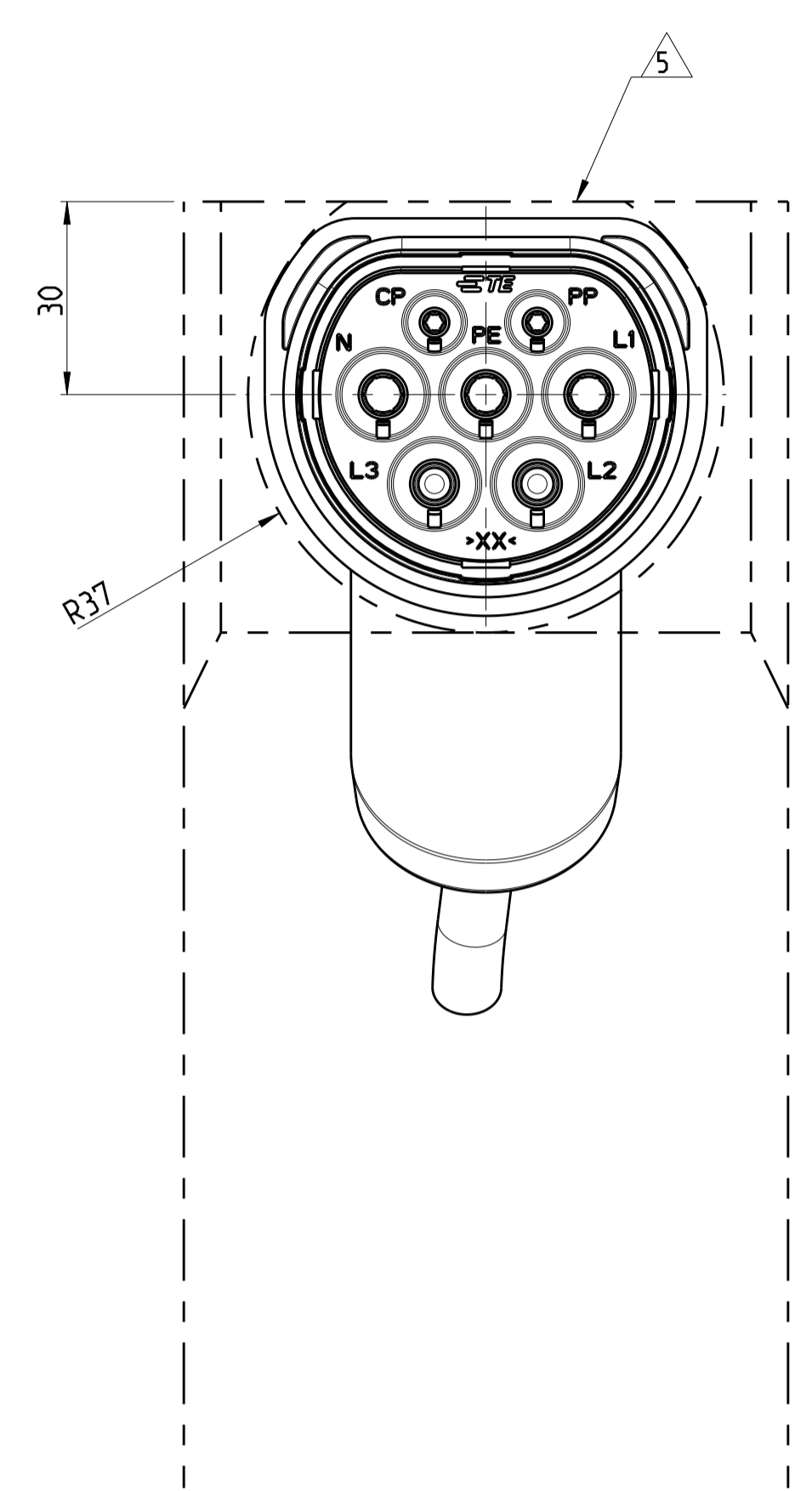
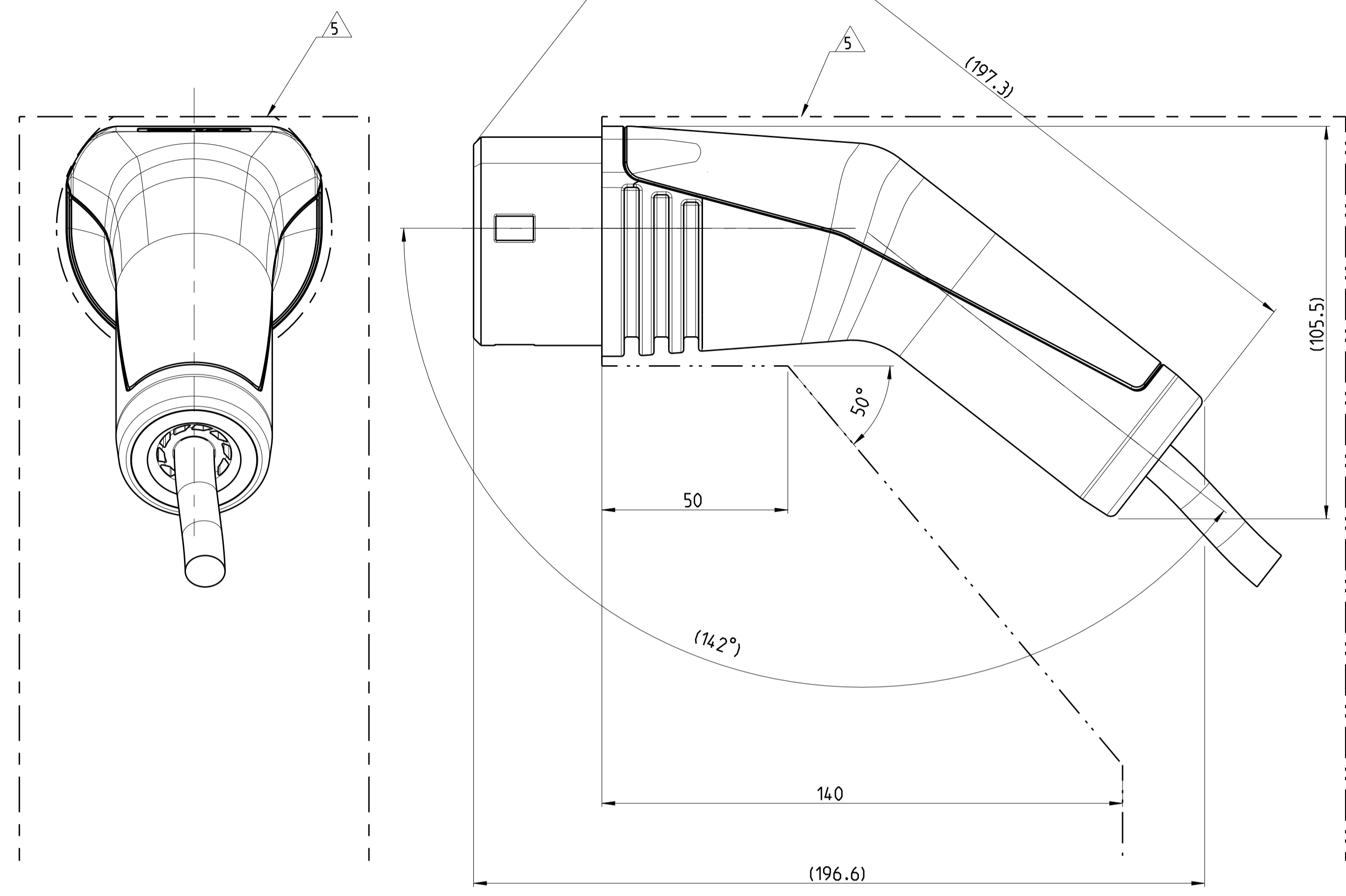
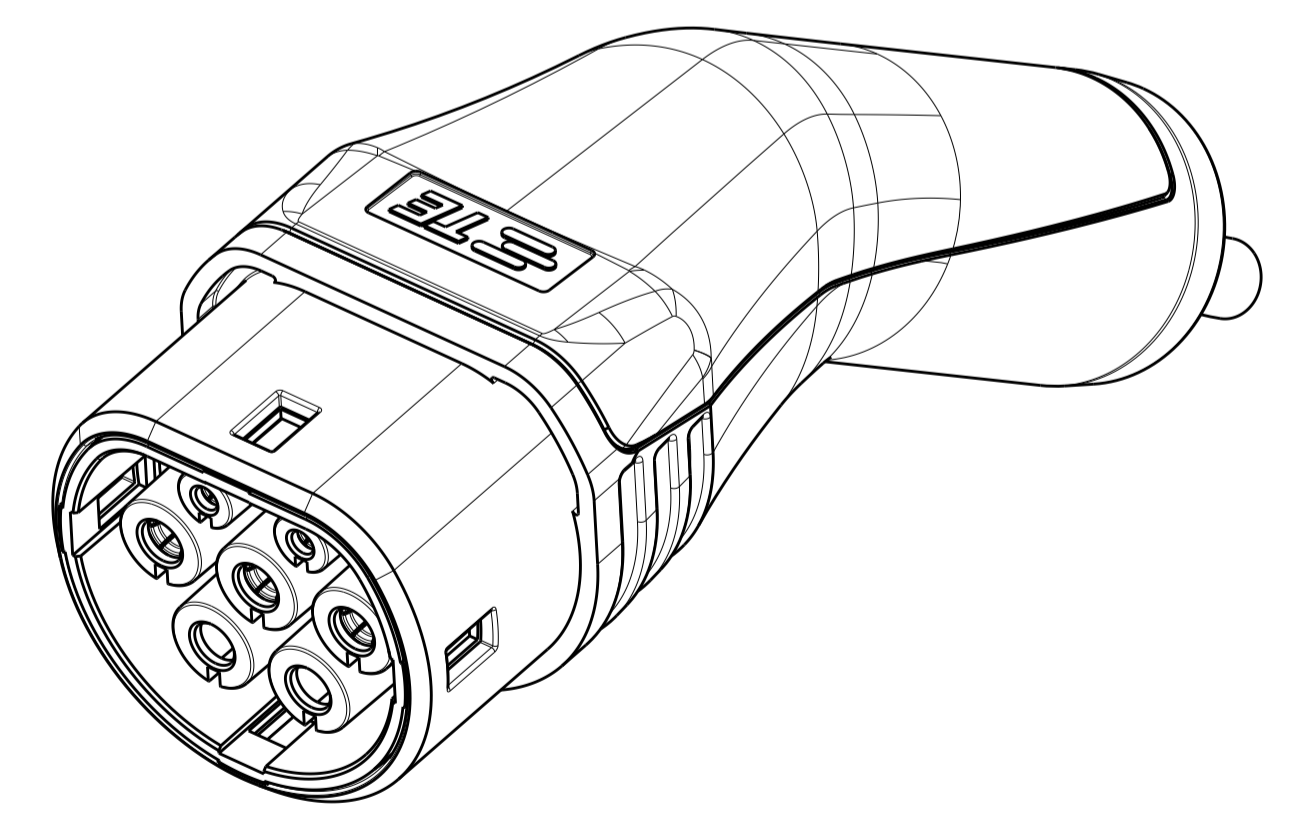
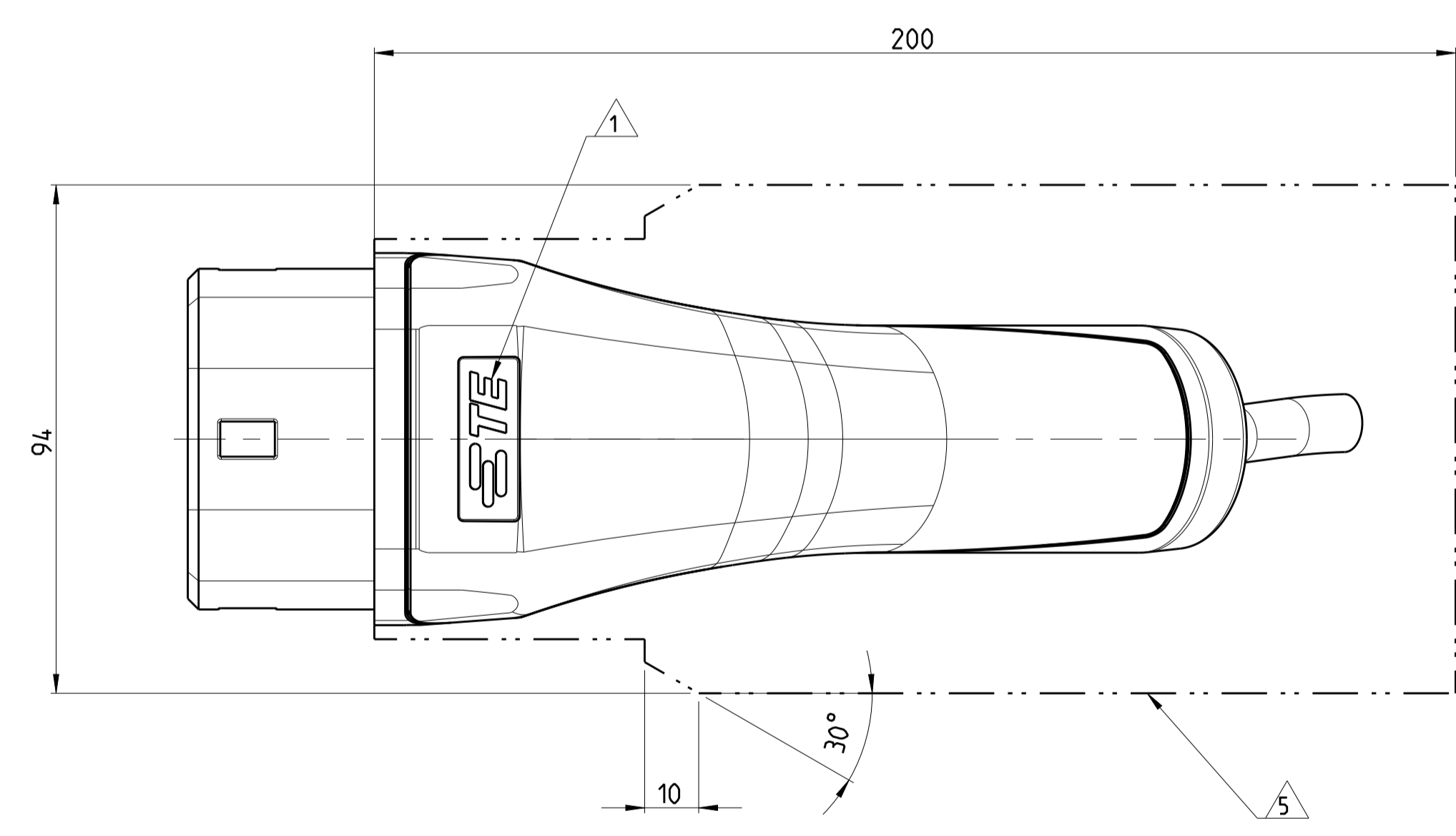


LOC	DIST	REVISONS	DATE	DWN	APVD
A1	-	NEW DRWING PUBLISHED	15AUG2012	FM	DO



- NOTES:
- EV CHARGER CONNECTOR ACCORDING TO IEC 62196-2
 - TE LOGO
 - SEALING AREA, FREE OF SINKAGE, TOOLCUTS AND EJECTORS. SURFACE ROUGHNESS IN SEALING AREA: Ra=0.7µm (SURFACE OF TOOL POLISHED)
 - HOUSING AND COVER ARE WELDED TOGETHER
 - AVAILABLE SPACE FOR DESIGN
 - CONTACT POINT
 - COLOR: BLACK
 - PACKING: ACCORDING CABLE ASSY DRAWING



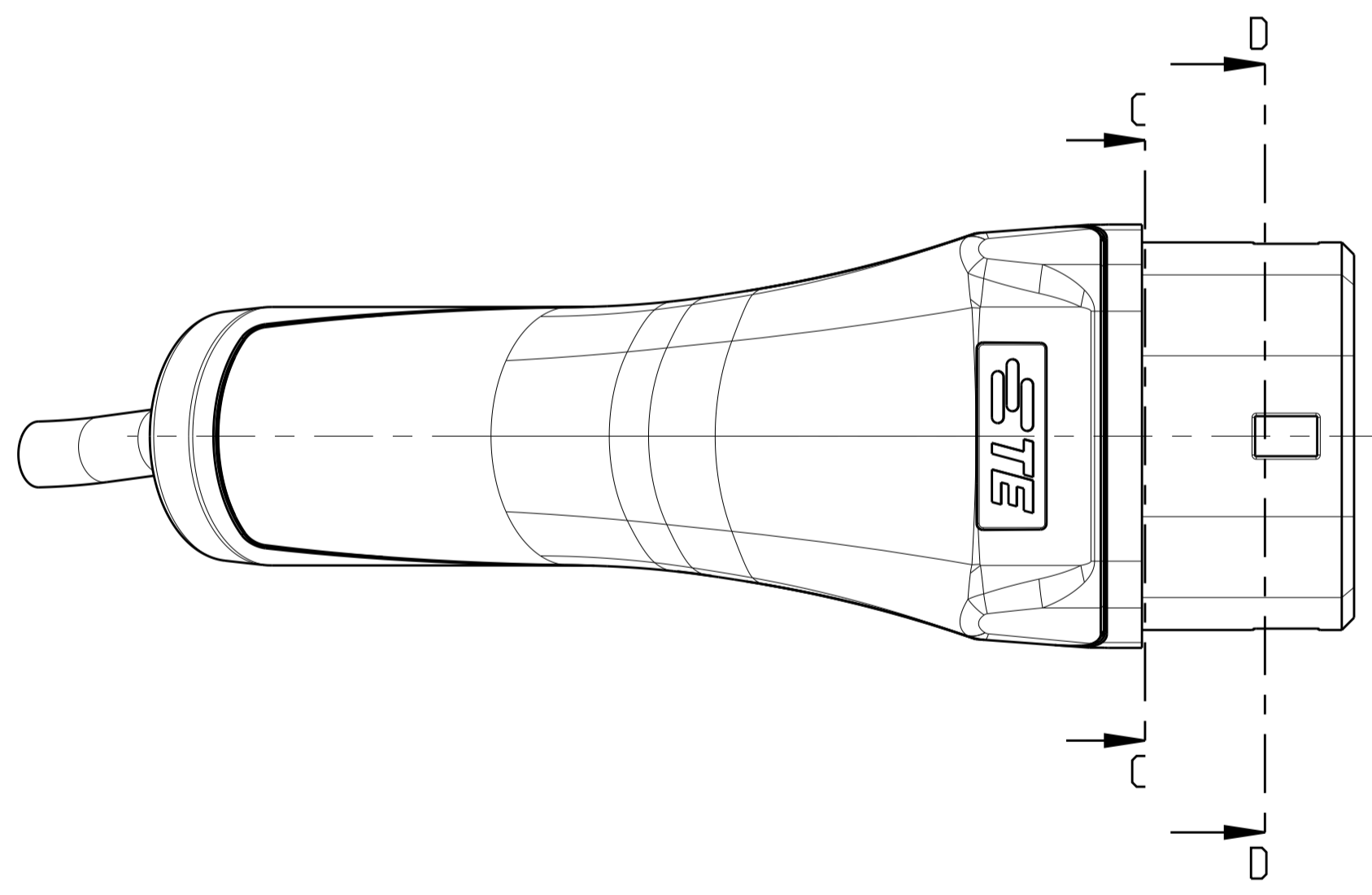
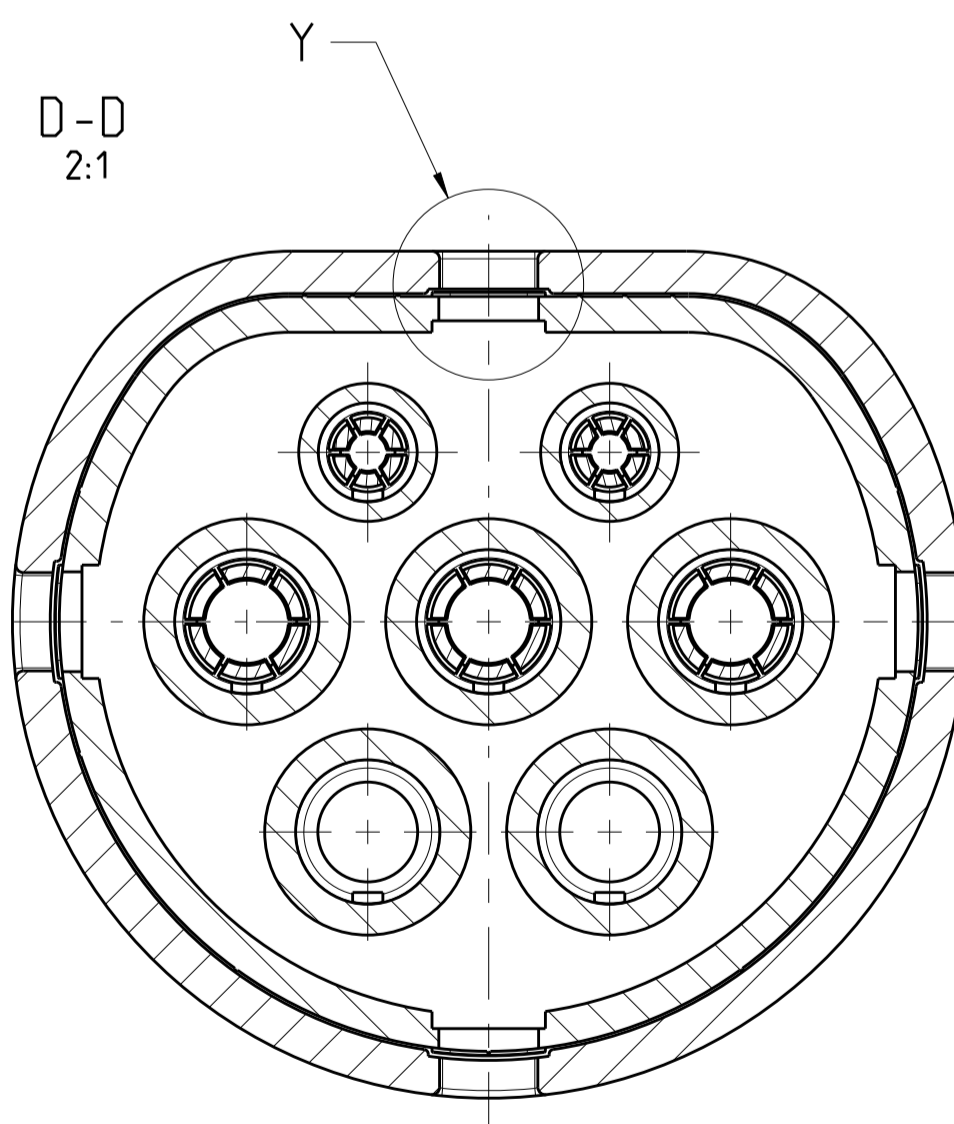
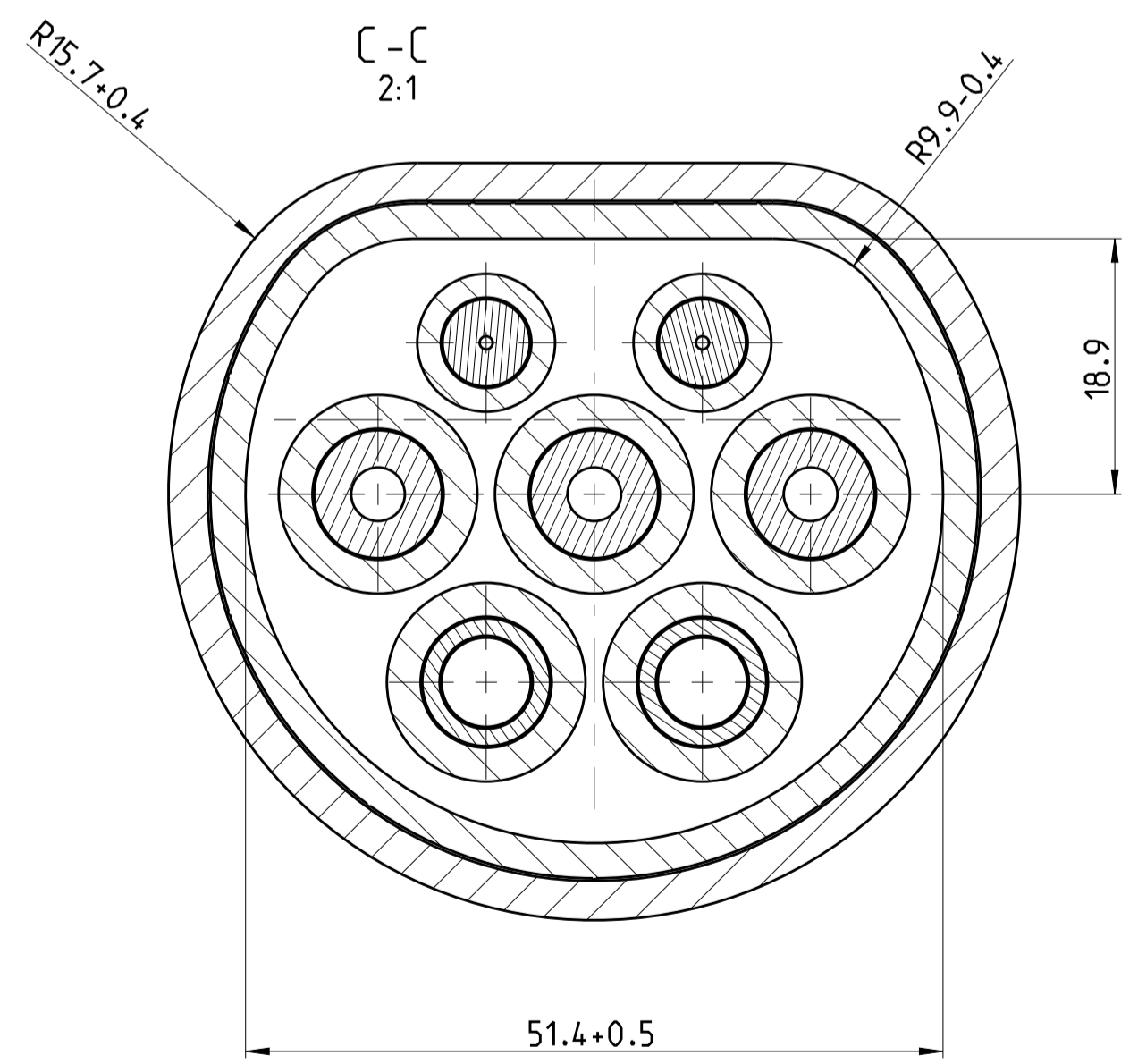
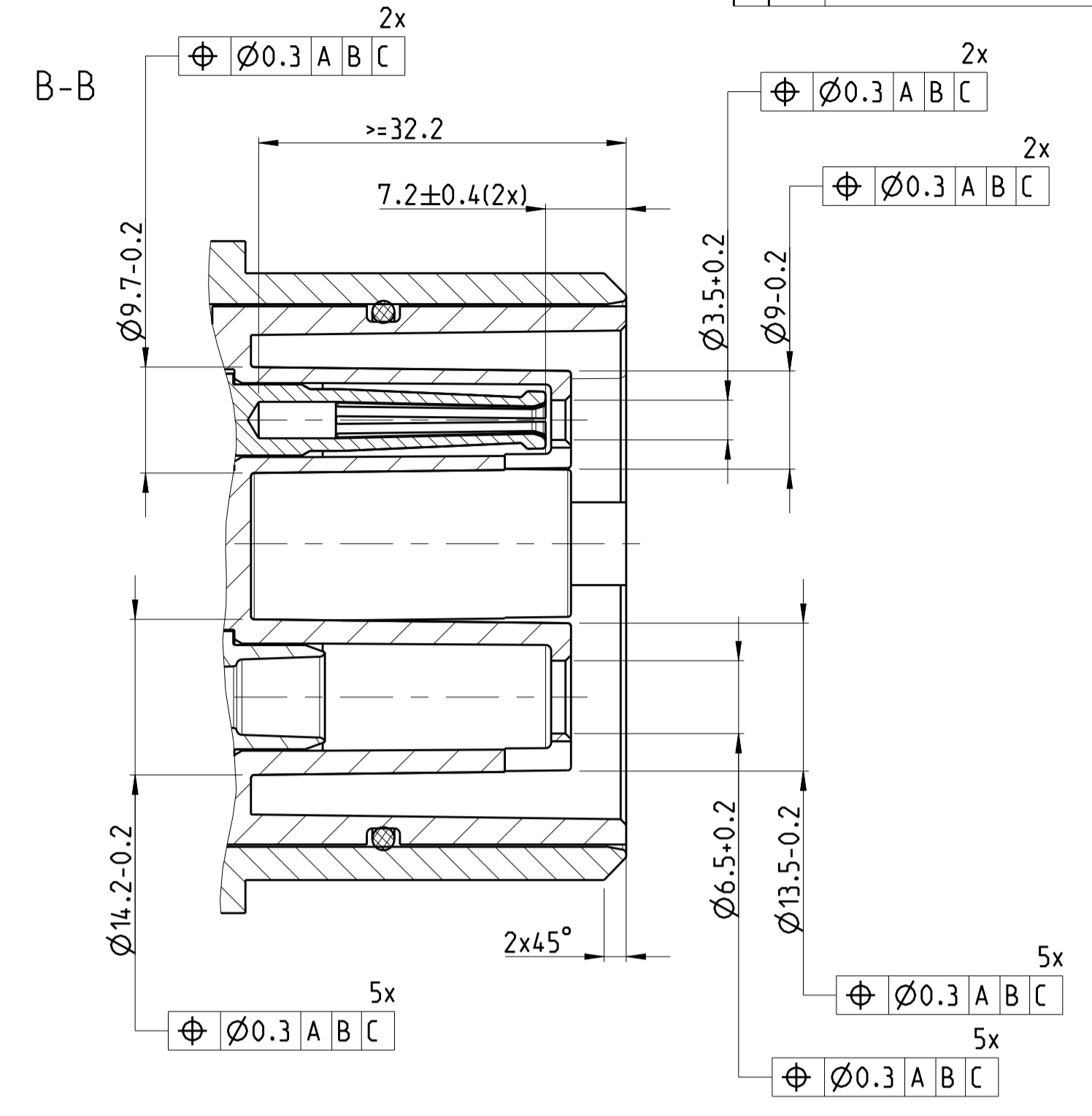
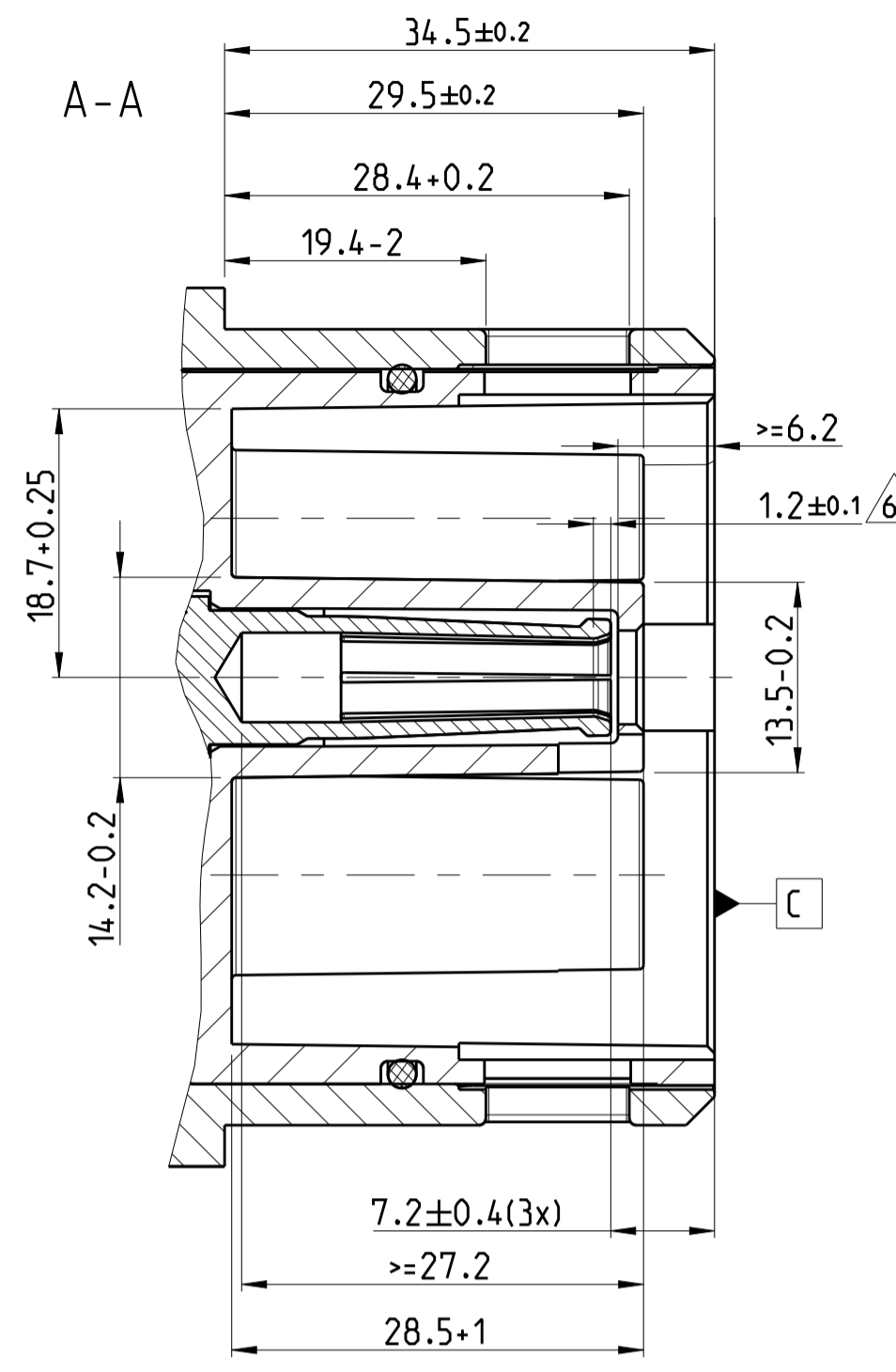
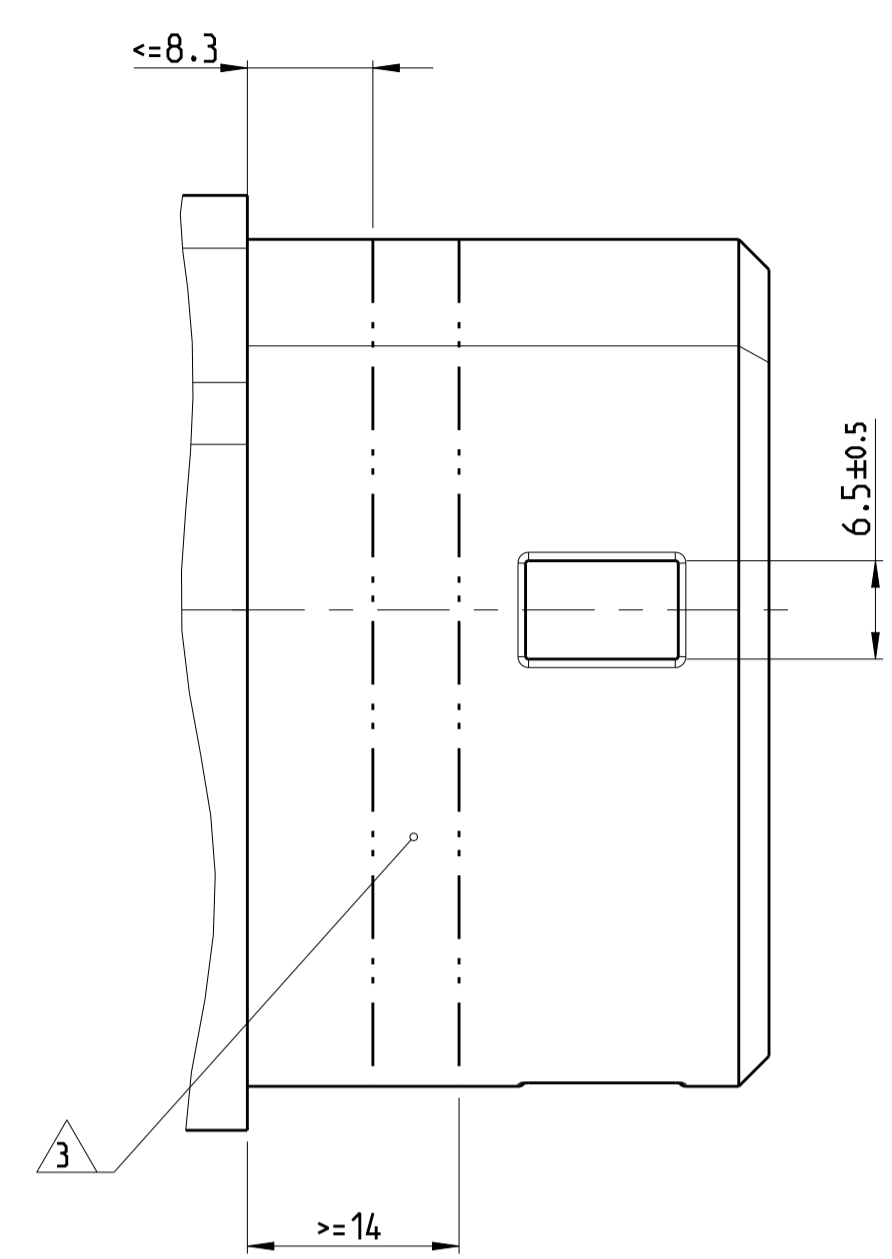
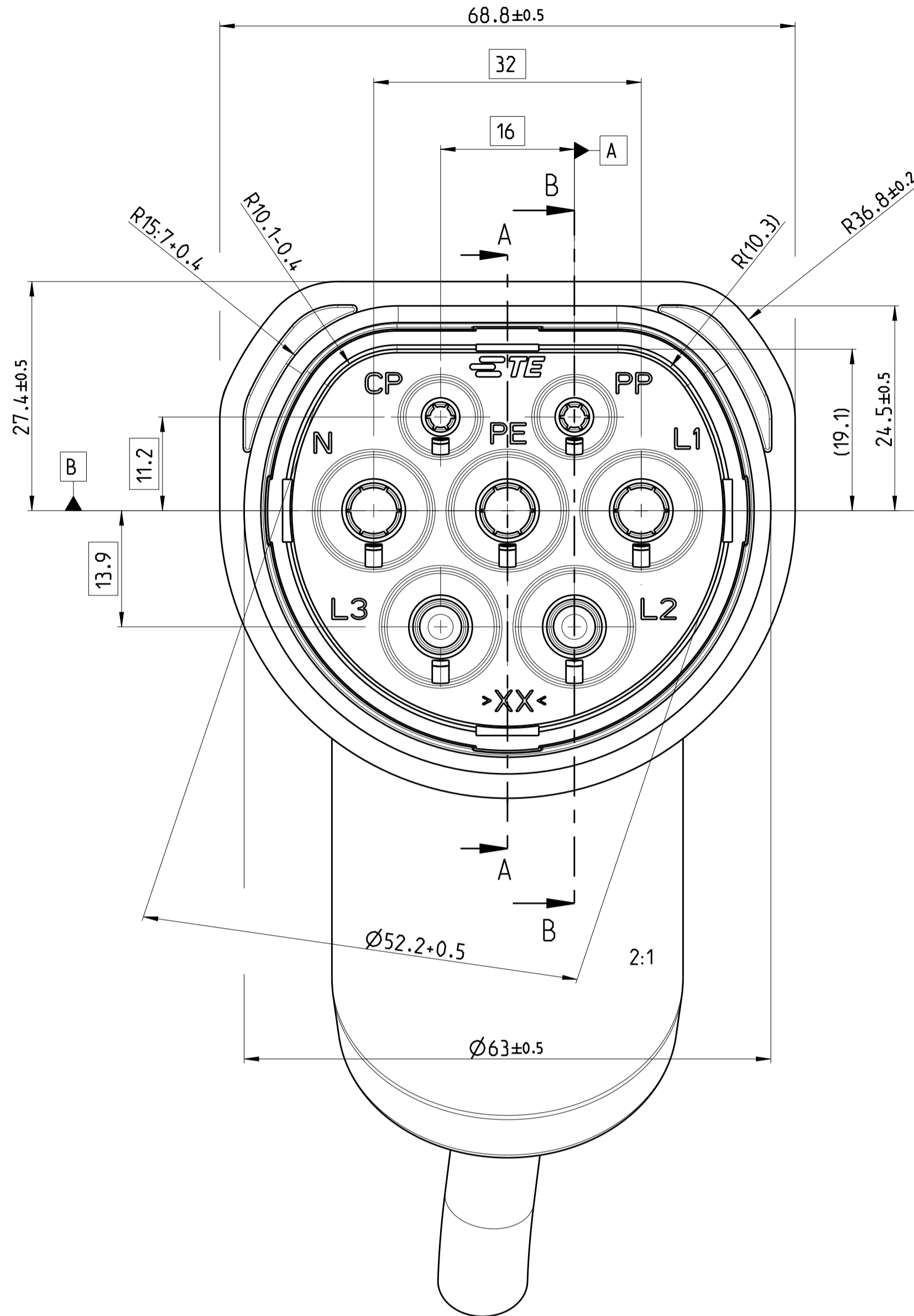
2120560-1 = 16A VERSION
 2120560-2 = 13A VERSION

-1 AS SHOWN
-2 AS SHOWN

DIESE ZEICHNUNG IST EIN KONTROLLIERTES DOKUMENT. BEMASSUNGEN UND TOLERANZEN GEMAESS GPS (ISO STANDARDS).		TOLERANCING ISO 8015 TOLERIERUNG ISO 8015															
THIS DRAWING IS A CONTROLLED DOCUMENT. DIMENSIONING AND TOLERANCING PER GPS (ISO STANDARDS).		DWN: E. MUELLER 26APR2012 CHK: D. ONDRE J 26APR2012 APVD: S. Zubeck 26APR2012															
DIMENSIONS: MASSE IN MILLIMETER (mm)		TOLERANCES UNLESS OTHERWISE SPECIFIED: ALL DIMENSIONS															
<table border="1"> <tr><td>0 PLC</td><td>±</td></tr> <tr><td>1 PLC</td><td>±</td></tr> <tr><td>2 PLC</td><td>±</td></tr> <tr><td>3 PLC</td><td>±</td></tr> <tr><td>4 PLC</td><td>±</td></tr> </table>		0 PLC	±	1 PLC	±	2 PLC	±	3 PLC	±	4 PLC	±	<table border="1"> <tr><td>FINISH SURFACE #</td><td>±</td></tr> <tr><td>FINISH SURFACE #</td><td>±</td></tr> </table>		FINISH SURFACE #	±	FINISH SURFACE #	±
0 PLC	±																
1 PLC	±																
2 PLC	±																
3 PLC	±																
4 PLC	±																
FINISH SURFACE #	±																
FINISH SURFACE #	±																
MATERIAL: -		WEIGHT: - BEWICHT: -															
Customer Drawing		/KUNDENZEICHNUNG															
NAME: CHARGER CONNECTOR ASSY, CAR SIDE, 1PH LADESTECKER ASSY, CAR SIDE, 1PH		SCALE: 1:1															
SIZE: A1		SHEET: 1 OF 2															
CAGE CODE: 00779		DRAWING NO: 2120560															
RESTRICTED TO: -		REV: A															

LOC	DIST	REV	DATE	APPV
A1	-	-	-	-

REVISIONS	DATE	DNW	APVD
ÄNDERUNG DESCRIPTION BESCHREIBUNG			



DIESE ZEICHNUNG IST EIN KONTROLLIERTES DOKUMENT. BEMASSUNGEN UND TOLERANZEN GEMÄSS GPS (ISO STANDARDS).		TOLERANCING ISO 8015 TOLERIERUNG ISO 8015																									
THIS DRAWING IS A CONTROLLED DOCUMENT. DIMENSIONING AND TOLERANCING PER GPS (ISO STANDARDS).		E. MUELLER 27APR2012 D. ONDRE J 27APR2012																									
DIMENSIONS: MASSENMÄßEN (mm)		TOLERANCES UNLESS OTHERWISE SPECIFIED: ALLGEMEINER TOLERANZEN																									
<table border="1"> <tr><td>0 PLC</td><td>±</td></tr> <tr><td>1 PLC</td><td>±</td></tr> <tr><td>2 PLC</td><td>±</td></tr> <tr><td>3 PLC</td><td>±</td></tr> <tr><td>4 PLC</td><td>±</td></tr> <tr><td>5 PLC</td><td>±</td></tr> </table>		0 PLC	±	1 PLC	±	2 PLC	±	3 PLC	±	4 PLC	±	5 PLC	±	<table border="1"> <tr><td>0</td><td>±</td></tr> <tr><td>1</td><td>±</td></tr> <tr><td>2</td><td>±</td></tr> <tr><td>3</td><td>±</td></tr> <tr><td>4</td><td>±</td></tr> <tr><td>5</td><td>±</td></tr> </table>		0	±	1	±	2	±	3	±	4	±	5	±
0 PLC	±																										
1 PLC	±																										
2 PLC	±																										
3 PLC	±																										
4 PLC	±																										
5 PLC	±																										
0	±																										
1	±																										
2	±																										
3	±																										
4	±																										
5	±																										
MATERIAL		WEIGHT GEWICHT																									
Customer Drawing		Customer Drawing																									
NAME CHARGER CONNECTOR ASSY, CAR SIDE, 1PH LADESTECKER ASSY, CAR SIDE, 1PH		SCALE MASSSTAB 1:1																									
SIZE A1		SHEET BLATT 2																									
CAGE CODE 00779		OF VON 2																									
DRAWING NO. 2120560		REV A																									
RESTRICTED TO NUR FÜR		REV A																									