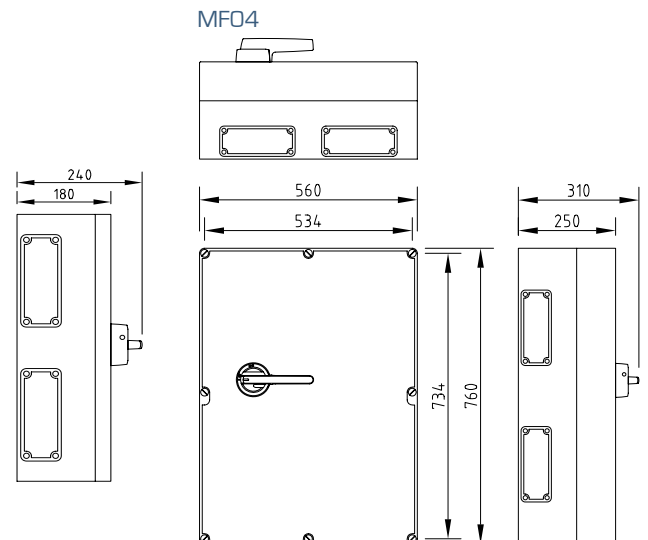
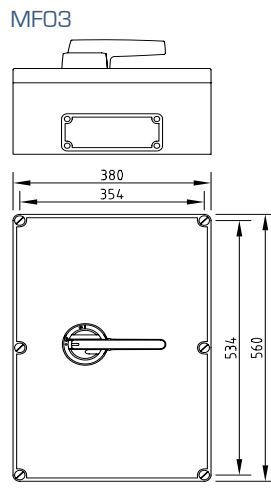
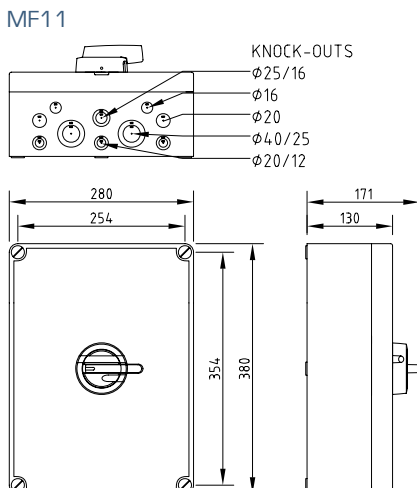
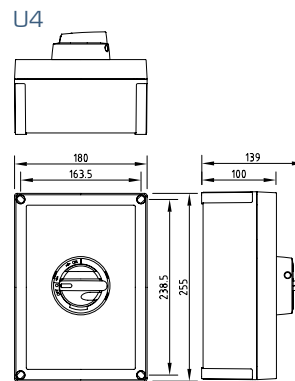
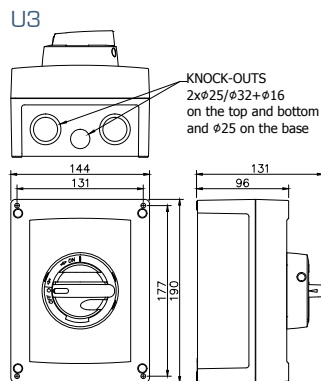
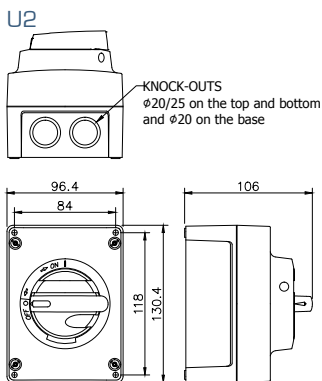


## POLYCARBONATE ENCLOSED SAFETY SWITCHES / ISOLATORS 10-630 A



- IP66; Enclosure types U2, U3, U4
- IP65; Enclosure types MF11, MF03, MF04
- Self-extinguishing material
- Wide operating temperature range
- Padlockable
- Door interlock with defeat mechanism
- Excellent insulating properties
- Good UV resistance
- Good resistance against many chemicals



Data subject to change without notice

