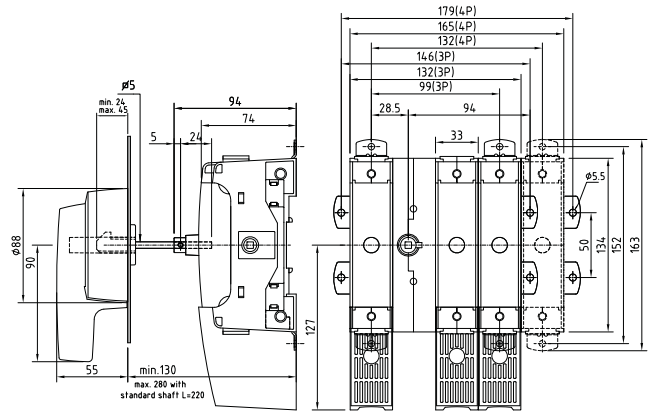


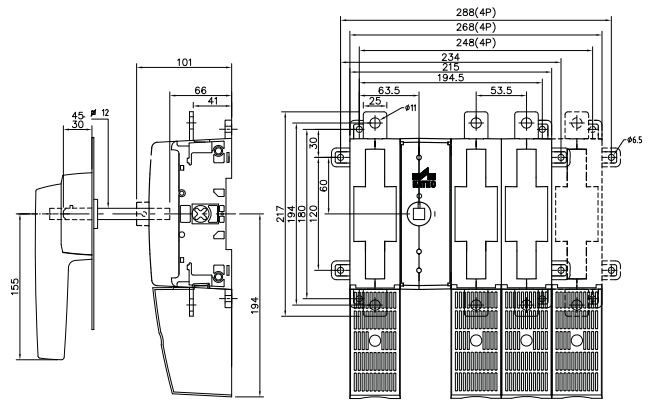
# LOAD BREAK SWITCHES VKE SERIES



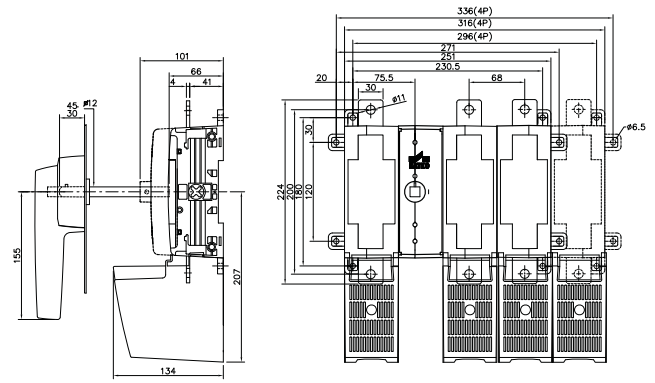
VKE 125-160 A



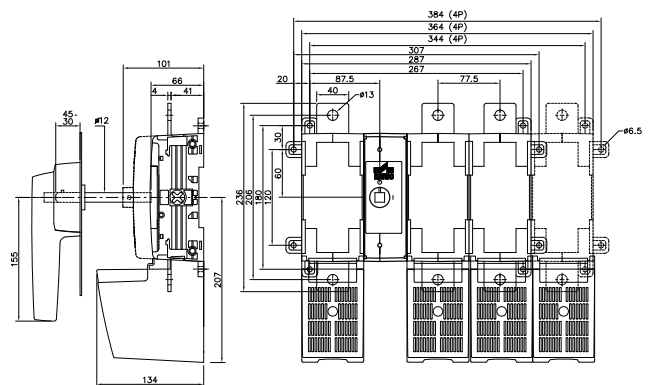
VKE 200-250 A



VKE 315-400 A



VKE 630 A



## LOAD BREAK SWITCHES VKE SERIES

- The modular structure enables the drive mechanism position to be varied
- Front operated
- Available as 1-,2-,3- and 4-pole
- Available with terminal covers (LS)
- Easy to install auxiliary contacts
- 125-160 A** Includes shaft L=220 AD12/T and LK12 handle
- 200-630 A** includes shaft LVK=228 and LK14 handle

Type	AC-21 400 V 415 V 690 V I <sub>e</sub> / A	AC-22 400 V 415 V 690 V I <sub>e</sub> / A	AC-23 I <sub>e</sub> / A	400 V 415 V P / kW	AC-23 I <sub>e</sub> / A	690 V P / kW	EAN-Code	Weight kg
VKE 3125	160 A	125 A	125 A	55 kW	125 A	90 kW	6419410205006	1,6
VKE 3160	160 A	160 A	125 A	55 kW	125 A	90 kW	6419410205013	1,6
VKE 3125 NT	160 A	125 A	125 A	55 kW	125 A	90 kW	6419410285848	1,9
VKE 3160 NT	160 A	160 A	125 A	55 kW	125 A	90 kW	6419410285855	1,9
<b>4-pole</b>								
VKE 4125	160 A	125 A	125 A	55 kW	125 A	90 kW	6419410205020	1,9
VKE 4160	160 A	160 A	125 A	55 kW	125A	90 kW	6419410205037	1,9

Type	AC-21 400 V 415 V 690 V I <sub>e</sub> / A	AC-22 400 V 415 V 690 V I <sub>e</sub> / A	AC-23 I <sub>e</sub> / A	400 V 415 V P / kW	AC-23 I <sub>e</sub> / A	690 V P / kW	EAN-Code	Weight kg
VKE 3200	200 A	200 A	200 A	110 kW	200 A	160 kW	6419410280010	4,0
VKE 3250	250 A	250 A	250 A	132 kW	250 A	250 kW	6419410280119	4,0
VKE 3200 NT	200 A	200 A	200 A	110 kW	200 A	160 kW	6419410285862	4,6
VKE 3250 NT	250 A	250 A	250 A	132 kW	250 A	250 kW	6419410285879	4,6
<b>4-pole</b>								
VKE 4200	200 A	200 A	200 A	110 kW	200 A	160 kW	6419410280027	4,6
VKE 4250	250 A	250 A	250 A	132 kW	250 A	250 kW	6419410280126	4,6
<b>6-pole</b>								
VKE 6200	200 A	200 A	200 A	110 kW	200 A	160 kW	6419410280607	6,3
VKE 6250	250 A	250 A	250 A	132 kW	250 A	250 kW	6419410280652	6,3

Type	AC-21 400 V 415 V 690 V I <sub>e</sub> / A	AC-22 400 V 415 V 690 V I <sub>e</sub> / A	AC-23 I <sub>e</sub> / A	400 V 415 V P / kW	AC-23 I <sub>e</sub> / A	690 V P / kW	EAN-Code	Weight kg
VKE 3315	315 A	315 A	315 A	160 kW	315 A	315 kW	6419410285886	4,6
VKE 3400	400 A	400 A	400 A	200 kW	400 A	355 kW	6419410280133	4,6
VKE 3315 NT	315 A	315 A	315 A	160 kW	315 A	315 kW	6419410285893	5,4
VKE 3400 NT	400 A	400 A	400 A	200 kW	400 A	355 kW	6419410285916	5,4
<b>4-pole</b>								
VKE 4315	315 A	315 A	315 A	160 kW	315 A	315 kW	6419410285909	5,4
VKE 4400	400 A	400 A	400 A	200 kW	400 A	355 kW	6419410280140	5,4
<b>6-pole</b>								
VKE 6315	315 A	315 A	315 A	160 kW	315 A	315 kW	6419410280706	7,2
VKE 6400	400 A	400 A	400 A	200 kW	400 A	355 kW	6419410280737	7,2

Type	AC-21 400 V 415 V 690 V I <sub>e</sub> / A	AC-22 400 V 415 V 690 V I <sub>e</sub> / A	AC-23 I <sub>e</sub> / A	400 V 415 V P / kW	AC-23 I <sub>e</sub> / A	690 V P / kW	EAN-Code	Weight kg
VKE 3630	630 A	630 A	630 A	355 kW	500 A	500 kW	6419410284858	5,3
VKE 3630 NT	630 A	630 A	630 A	355 kW	500 A	500 kW	6419410284865	6,6
<b>4-pole</b>								
VKE 4630	630 A	630 A	630 A	355 kW	500 A	500 kW	6419410280164	6,6
<b>6-pole</b>								
VKE 6630	630 A	630 A	630 A	355 kW	500 A	500 kW	6419410280751	10,6