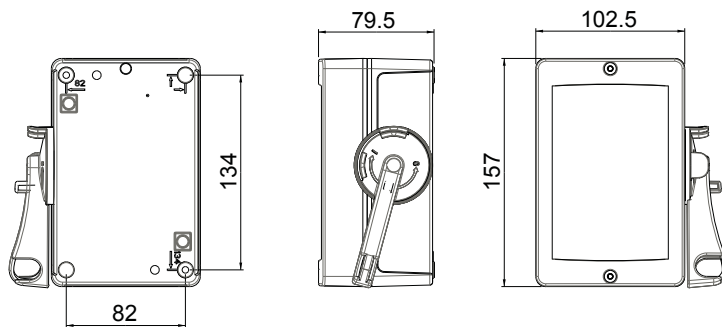


SIDE OPERATED SWITCHES ALUMINIUM ENCLOSED 16-40 A



- Available in red
- Good resistance against UV and many chemicals
- Withstands high impact and has wide operating temperature
- Fully rated Load Break Switch breaking capacity of 8 x AC23 rating
- Cable entries: 2 x M25 as standard on the top and bottom
- Mounting holes: 134,0 x 82,0
- Padlockable handle in 0-position and also available in 1-position
- EMC shielding with EMC glands as an option
- Large cable terminals 1,5 - 16 mm²
- KEF Handle on left side
- IP66



Type	AC-21	400 V	AC-22	400 V	AC-23	400 V	AC-23	690 V	EAN-Code		Enclosure	Weight kg				
		415 V		415 V		415 V		690 V	Grey/black	Yellow/red						
Fireman version		I _n / A		I _n / A		I _n / A		P / kW								
3-pole																
KEF 316A																
KEF 325A		25 A		16 A		16 A		7.5 kW		16 A		11 kW	6419410305003		A2	0.9
KEF 340A		40 A		25 A		25 A		11 kW		25 A		22 kW	6419410304846		A2	0.9
4-pole																
KEF 416A		63 A		40 A		40 A		22 kW		32 A		30 kW	6419410304853		A2	0.9
KEF 416A																
KEF 425A		25 A		16 A		16 A		7.5 kW		16 A		11 kW	6419410304860		A2	0.9
KEF 440A		40 A		25 A		25 A		11 kW		25 A		22 kW	6419410304877		A2	0.9
		63 A		40 A		40 A		22 kW		32 A		30 kW	6419410304884		A2	0.9