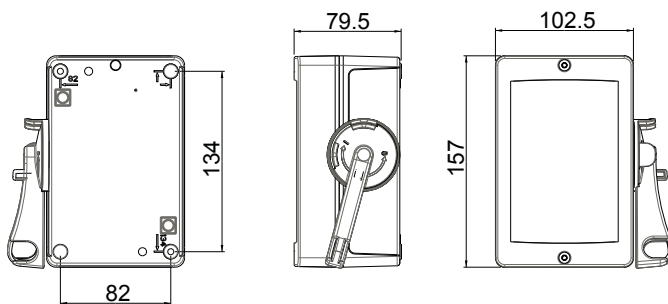


SIDE OPERATED SWITCHES ALUMINIUM / POLYCARBONATE ENCLOSED 16-40 A

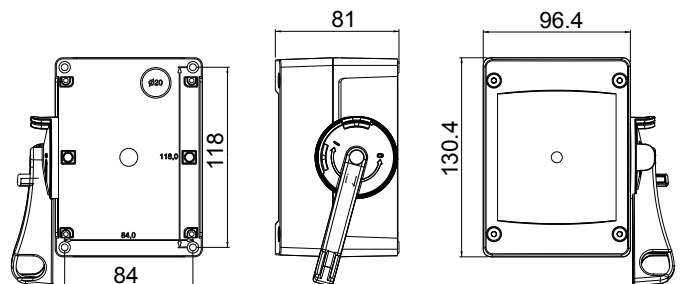


- Available in red
- Good resistance against UV and many chemicals
- Fully rated Load Break Switch breaking capacity of 8 x AC23 rating
- Cable entries: 2 x M25 as standard on the top and bottom (aluminium); Cable entries 2 x M20/M25 as standard on the top and bottom and M20 on the base
- Aluminium mounting holes: 134.0 x 82.0
- Polycarbonate mounting holes: 118.0 x 84.0
- Padlockable handle in 0-position and also available in 1-position
- Large cable terminals 1.5 - 16 mm²
- KEF Handle on left side
- IP66

KEF Aluminium



KEF Polycarbonate



Type	AC-21		AC-22		AC-23		AC-23		EAN-Code		Enclosure	Weight kg
	400 V	415 V	400 V	415 V	400 V	415 V	400 V	690 V	Grey/black	Yellow/red		
Aluminium Fireman version	I _e / A	690 V	I _e / A	690 V	I _e / A	P / kW	I _e / A	P / kW				
3-pole												
KEF 316A									6419410305003		A2	0.9
KEF 325A	25 A		16 A		16 A	7.5 kW	16 A	11 kW	6419410304846		A2	0.9
KEF 340A	40 A		25 A		25 A	11 kW	25 A	22 kW	6419410304853		A2	0.9
4-pole												
KEF 416A									6419410304860		A2	0.9
KEF 425A	25 A		16 A		16 A	7.5 kW	16 A	11 kW	6419410304877		A2	0.9
KEF 440A	40 A		25 A		25 A	11 kW	25 A	22 kW	6419410304884		A2	0.9
	63 A		40 A		40 A	22 kW	32 A	30 kW				
Polycarbonate Fireman version												
3-pole												
KEF 316M	16 A		16 A		16 A	7.5 kW	16 A	11 kW	...304365		U2	0.5
KEF 325M	25 A		25 A		25 A	11 kW	25 A	22 kW	...304372		U2	0.5
KEF 340M	40 A		40 A		40 A	22 kW	25 A	22 kW	...304389		U2	0.5
4-pole												
KEF 416M	16 A		16 A		16 A	7.5 kW	16 A	11 kW	...304396		U2	0.5
KEF 425M	25 A		25 A		25 A	11 kW	25 A	22 kW	...304402		U2	0.5
KEF 440M	40 A		40 A		40 A	22 kW	25 A	22 kW	...304419		U2	0.5