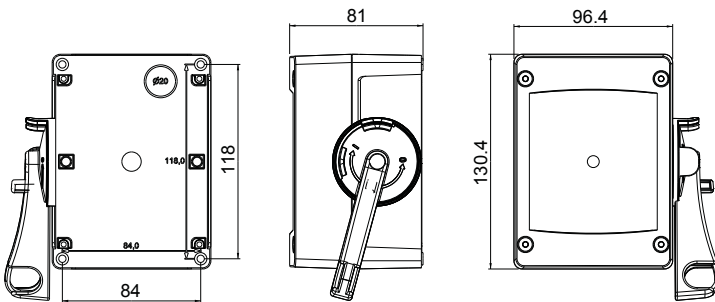


SIDE OPERATED SWITCHES POLYCARBONATE ENCLOSED 16-40 A



- Available in grey/black or yellow/red
- Good resistance against UV and many chemicals
- Self-extinguishing material and excellent insulating properties
- Fully rated Load Break Switch breaking capacity of 8 x AC23 rating
- Cable entries 2 x M20/M25 as standard on the top and bottom and M20 on the base
- Mounting holes: 118,0 x 84,0
- Padlockable handle in 0-position and also available in 1-position
- Knock-out glands are easy to open
- Large cable terminals 1,5 - 16 mm²
- KE handle on right side
- IP66



Type		AC-21		AC-22		AC-23		AC-23		EAN-Code		Enclosure	Weight kg
		400 V	415 V	400 V	415 V	400 V	415 V	400 V	690 V	6419410...			
Grey/black	Yellow/red	I _e / A		I _e / A		I _e / A	P / kW	I _e / A	P / kW	Grey/black	Yellow/red		
3-pole													
KE 316M	KE 316M Y/R	25 A		16 A		16 A	7.5 kW	16 A	11 kW	...304006	...304129	U2	0.5
KE 325M	KE 325M Y/R	40 A		25 A		25 A	11 kW	25 A	22 kW	...304013	...304136	U2	0.5
KE 340M	KE 340M Y/R	63 A		40 A		40 A	22 kW	32 A	30 kW	...304020	...304143	U2	0.5
4-pole													
KE 416M	KE 416M Y/R	25 A		16 A		16 A	7.5 kW	16 A	11 kW	...304037	...304150	U2	0.5
KE 425M	KE 425M Y/R	40 A		25 A		25 A	11 kW	25 A	22 kW	...304044	...304167	U2	0.5
KE 440M	KE 440M Y/R	63 A		40 A		40 A	22 kW	32 A	30 kW	...304051	...304174	U2	0.5