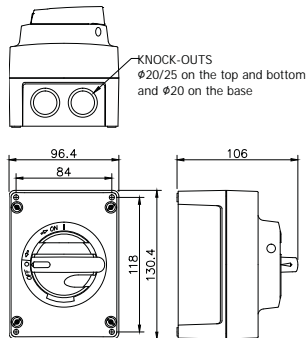


CHANGE-OVER SWITCHES 16 - 160 A

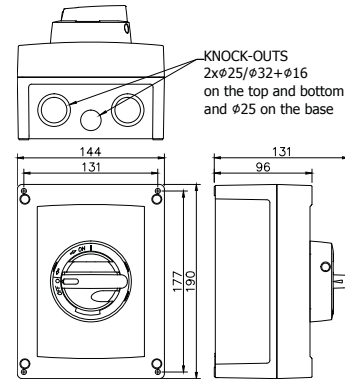


- Polycarbonate (TKM, KEM) or aluminium (KEA) enclosures
- TKM-models with cam switch 16 to 40 A
- KEM and KEA models consist of two KU or VKA switches connected by a change-over kit and range from 16 to 160 A
- IP66; enclosure types U2, U3, A2
- IP65; enclosure type MF11
- Self-extinguishing material
- Excellent insulating properties
- Wide operating temperature range
- Good resistance against many chemicals
- Good UV resistance
- Padlockable
- Door interlock with defeat mechanism
- IEC 60947-3

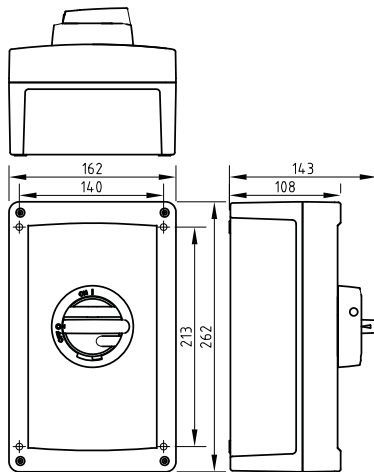
U2



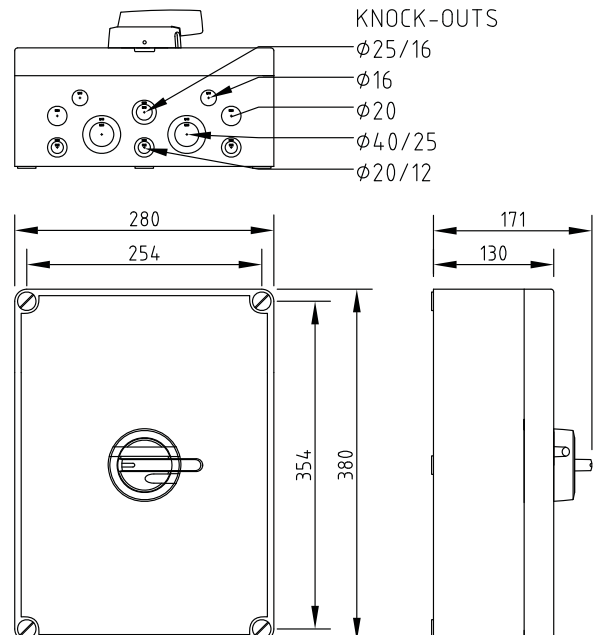
U3



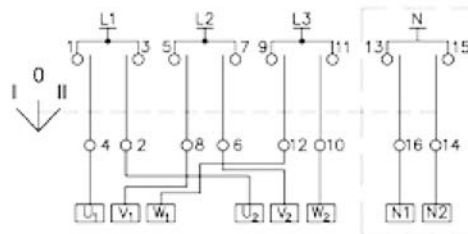
A3



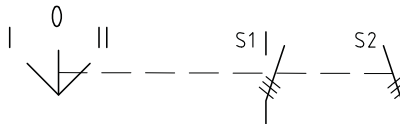
MF11



CHANGE-OVER SWITCHES 16 - 160 A



TK WV circuit diagram



KEM/KEA WV circuit diagram

Type		AC-21		AC-22		AC-23		AC-23		EAN-Code		Switch	Enclosure	Weight kg
		400 V 415 V	690 V	400 V 415 V ¹⁾	690 V ²⁾	400 V 415 V	690 V	400 V 415 V	690 V	Grey/black	Yellow/red			
Grey/black	Yellow/red	I _b / A		I _b / A		I _b / A		P / kW		6419410...				
TKM (Polycarbonate)														
2-pole														
TKM 225U W	TKM 225U W Y/R	25 A*	25 A*	25 A*	25 A*	4 kW	-	-	TK 225 W	U2	0.5	
TKM 240U W	TKM 240U W Y/R	40 A*	40 A*	40 A*	40 A*	7.5 kW	-	-	TK 240 W	U2	0.5	
3-pole														
TKM 316U W	TKM 316U W Y/R	16 A*	16 A*	16 A*	16 A*	7.5 kW	-	-	TK 316 W	U2	0.5	
TKM 325U W	TKM 325U W Y/R	25 A*	25 A*	25 A*	25 A*	11 kW	-	-	TK 325 W	U2	0.5	
TKM 340U W	TKM 340U W Y/R	40 A*	40 A*	40 A*	40 A*	18.5 kW	-	-	TK 340 W	U2	0.5	
4-pole														
TKM 416U W	TKM 416U W Y/R	16 A*	16 A*	16 A*	16 A*	7.5 kW	-	-	TK 416 W	U2	0.5	
TKM 425U W	TKM 425U W Y/R	25 A*	25 A*	25 A*	25 A*	11 kW	-	-	TK 425 W	U2	0.5	
TKM 440U W	TKM 440U W Y/R	40 A*	40 A*	40 A*	40 A*	18.5 kW	-	-	TK 440 W	U2	0.5	
KEM (Polycarbonate)														
3-pole														
KEM 316 W	KEM 316 W Y/R	25 A	16 A	16 A	16 A	7.5 kW	16 A	11 kW	2xKU 316	U3	0.9	
KEM 325 W	KEM 325 W Y/R	40 A	25 A	25 A	25 A	11 kW	25 A	22 kW	2xKU 325	U3	0.9	
KEM 340 W	KEM 340 W Y/R	63 A	40 A	40 A	40 A	22 kW	32 A	30 kW	2xKU 340	U3	0.9	
KEM 363 W	KEM 363 W Y/R	80 A	63 A	40 A	40 A	22 kW	40 A	37 kW	2xKU 363	U3	0.9	
KEM 380 W	KEM 380 W Y/R	100 A	80 A	63 A	63 A	30 kW	40 A	37 kW	2xKU 380	U3	0.9	
KEM 3100C W	KEM 3100C W Y/R	100 A	100 A ¹⁾ / 80 A ²⁾	63 A	63 A	30 kW	40 A	37 kW	2xKU 3100	MF11	2.1	
KEM 3125C W	KEM 3125C W Y/R	125 A	125 A ¹⁾ / 80 A ²⁾	63 A	63 A	30 kW	40 A	37 kW	2xKU 3125	MF11	2.1	
KEM 3125 W 1-0-2	KEM 3125 W 1-0-2 Y/R	160 A	125 A	100 A	100 A	55 kW	80 A	55 kW	2xVKA 3125	MF11	3.8	
KEM 3160 W 1-0-2	KEM 3160 W 1-0-2 Y/R	200 A	160 A	135 A	135 A	75 kW	125 A	90 kW	2xVKA 3160	MF11	3.8	
4-pole														
KEM 416 W	KEM 416 W Y/R	25 A	16 A	16 A	16 A	7.5 kW	16 A	11 kW	2xKU 416	U3	1.0	
KEM 425 W	KEM 425 W Y/R	40 A	25 A	25 A	25 A	11 kW	25 A	22 kW	2xKU 425	U3	1.0	
KEM 440 W	KEM 440 W Y/R	63 A	40 A	40 A	40 A	22 kW	32 A	30 kW	2xKU 440	U3	1.0	
KEM 463 W	KEM 463 W Y/R	80 A	63 A	40 A	40 A	22 kW	40 A	37 kW	2xKU 463	U3	1.0	
KEM 480 W	KEM 480 W Y/R	100 A	80 A	63 A	63 A	30 kW	40 A	37 kW	2xKU 480	U3	1.0	
KEM 4100C W	KEM 4100C W Y/R	100 A	100 A ¹⁾ / 80 A ²⁾	63 A	63 A	30 kW	40 A	37 kW	2xKU 4100	MF11	2.2	
KEM 4125C W	KEM 4125C W Y/R	125 A	125 A ¹⁾ / 80 A ²⁾	63 A	63 A	30 kW	40 A	37 kW	2xKU 4125	MF11	2.2	
KEM 4125 W 1-0-2	KEM 4125 W 1-0-2 Y/R	160 A	125 A	100 A	100 A	55 kW	80 A	55 kW	2xVKA 4125	MF11	4.0	
KEM 4160 W 1-0-2	KEM 4160 W 1-0-2 Y/R	200 A	160 A	135 A	135 A	75 kW	125 A	90 kW	2xVKA 4160	MF11	4.0	
KEA (Aluminium)														
3-pole														
KEA 316 W	KEA 316 W Y/R	25 A	16 A	16 A	16 A	7.5 kW	16 A	11 kW	2xKU 316	A3	2.3	
KEA 325 W	KEA 325 W Y/R	40 A	25 A	25 A	25 A	11 kW	25 A	22 kW	2xKU 325	A3	2.3	
KEA 340 W	KEA 340 W Y/R	63 A	40 A	40 A	40 A	22 kW	32 A	30 kW	2xKU 340	A3	2.3	
KEA 363 W	KEA 363 W Y/R	80 A	63 A	40 A	40 A	22 kW	40 A	37 kW	2xKU 363	A3	2.3	
KEA 380 W	KEA 380 W Y/R	100 A	80 A	63 A	63 A	30 kW	40 A	37 kW	2xKU 380	A3	2.3	
4-pole														
KEA 416 W	KEA 416 W Y/R	25 A	16 A	16 A	16 A	7.5 kW	16 A	11 kW	2xKU 416	A3	2.4	
KEA 425 W	KEA 425 W Y/R	40 A	25 A	25 A	25 A	11 kW	25 A	22 kW	2xKU 425	A3	2.4	
KEA 440 W	KEA 440 W Y/R	63 A	40 A	40 A	40 A	22 kW	32 A	30 kW	2xKU 440	A3	2.4	
KEA 463 W	KEA 463 W Y/R	80 A	63 A	40 A	40 A	22 kW	40 A	37 kW	2xKU 463	A3	2.4	
KEA 480 W	KEA 480 W Y/R	100 A	80 A	63 A	63 A	30 kW	40 A	37 kW	2xKU 480	A3	2.4	

* 400/415 V