



XB COMPONENTS

Fusibles y portafusibles

- Fusibles et porte-fusibles
- Fuses and fuseholders
- Fusibili e portafusibili
- Sicherungen und Sicherungshalter
- Fusíveis e porta-fusíveis
- Fusibles i portafusibles





XB COMPONENTS

F **Para fusibles**
Pour fusibles / For fuses / Per fusibili /
Für Sicherung / Para fusíveis / Per a fusibles

M **Material**
Matériel / Material / Materiale/ Material /
Material / Material

mm **Para cable**
Pour câble / For cable / Per cavo / Für Kabel /
Para cabo / Per a cable

V **Número de vías**
Nombre de voies / Number of ways /
Numero di modi / Anzahl der Möglichkeiten /
Número de maneiras / Nombre de vías

C **Conexión**
Connexion / Connection / Collegamento /
Verbindung / Conexão / Connexiõ

OEM **Para primer equipo**
Pour la première équipe / Original Equipment
Manufacturer / Per la prima squadra /
Für die erste Mannschaft / Para o primeiro
time / Per a primer equip

€ **Económico**
Économique / Economical / Economico /
Ökonomisch / Económico / Econômico

T **Tapa incluida**
Couvercle incluse / Cover included / Copertina
inclusa / Cover enthalten / Capa inclusa /
Tapa inclosa

F **Fusible incluido**
Fusible inclus / Fuse included / Fusibile incluso
/ Sicherung enthalten / Fusivel incluido /
Fusible inclòs

T **Incluye terminales**
Comprend les terminaux / Includes terminals /
Include terminali / Enthält Terminals / Includi
terminali / Inclou terminals

***** **Bajo demanda**
Sur demande / On demand / A richiesta /
Auf Anfrage / Por demanda / Sota demanda



CERTIFICADO DE APROBACIÓN

Certificamos que el Sistema de Gestión de Calidad de:



X.B.COMPONENTS, S.A.

Pol. Ind. Montigalá, C/ Holanda, 37-39

08917 Badalona, Barcelona

España

ha sido aprobado por Lloyd's Register Quality Assurance
de acuerdo con la siguiente Norma de Sistema de Gestión de Calidad:

ISO 9001:2015

El Sistema de Gestión de Calidad es aplicable a:

**Almacenamiento y comercialización de material eléctrico de conexión, fijación y
aislamiento para el sector industrial y automoción.**

Aprobación Aprobación Original: 06 de Noviembre 2006

Certificado No: SGI 6000253/A Certificado en Vigor: 30 de Agosto

Caducidad del Certificado: 05 de Noviembre 2021

Emitido por: LRQA España, S.L.U.
Por y en nombre de: Lloyd's Register Quality Assurance Limited



C/ Princesa, 29 - 1º - 28008 Madrid, España

Por y en nombre de: Lloyd's Register Quality Assurance Limited (LRQA), and their respective offices, subsidiaries or agents are, individually and collectively,

noted as the basis of Lloyd's Register Quality Assurance's responsibility and shall not be liable in any way for any loss, damage or expense caused by reliance on the information shown in this document or otherwise provided, unless that person has signed a contract with the relevant Lloyd's Register entity for the provision of this information or advice and in that case any responsibility for liability shall remain on the person and shall not be transferred to the relevant Lloyd's Register entity.



Advanced Automotive Solutions



Biffi & Premoli



Glory Tech

AUTO



MICRO

5



MINI

6-7



UNI

8



MAXI

9-10



Disyuntores UNI & MINI

11-14

Disjoncteurs / Circuit breakers / Interruttori / Sicherungsautomaten / Disjuntores / Disjuntors



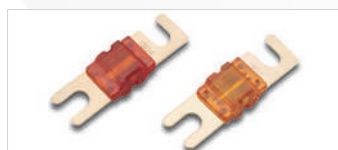
MIDI, MEGA & MEGACOMPACT

15



POWER

16



STRIP

17-19



CUBE

19



JASO

20-25



CONTINENTAL

26-27



AUTO



6,3x30

28



AUDIOCAR 10x38

29



Ez fus

30-31



Portafusibles

32-61

Porte-fusibles / Fuseholders / Portafusibili / Sicherungshalter / Porta-fusíveis / Portafusibles



Porta relés

62

Porte-relais / Relay holders / Porta relè / Relaisalter / Suporte de relé / Porta relés



Módulos

63-66

Modules / Modules / Moduli / Module / Módulos / Mòduls



Tapas

67-71

Couvercle / Covers / Cappucci / Abdeckungen / Capas / Tapes



Soportes

72-73

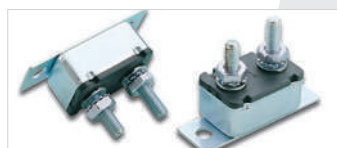
Supports / Supports / Supporti / Unterstützt / Suporta / Suports



Pinzas extractoras

74

Extracteur / Pullers / Pinze estrattore / Extraktionswerkzeug / Puxadores / Pincas extractoras



Disyuntores

76-80

Disjoncteurs / Circuit breakers / Interruttori / Sicherungsautomaten / Disjuntores / Disjuntors



INDUSTRIA & ELECTRÓNICA



5x20

81-84



6,3x32

85-88



EzFUS

89-98



SUBfus

99-102



Portafusibles

103-108

Porte-fusibles / Fuseholders / Portafusibili / Sicherungshalter / Porta-fusíveis / Portafusibles



Clips portafusibles

109-110

Clips de fusible / Fuse clips / Clip fusibile / Sicherungsclips / Clipes portafusibles / Clips portafusibles



Estuches

111-115

Estuches / Etui / Case / Estuche / Fall / Estojo / Estoig

AUTO GOLD

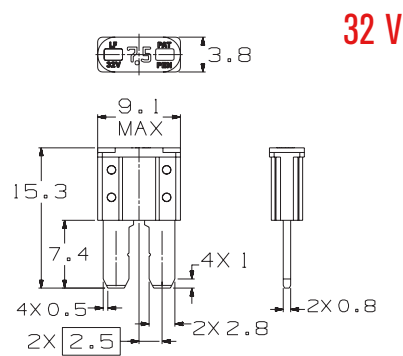
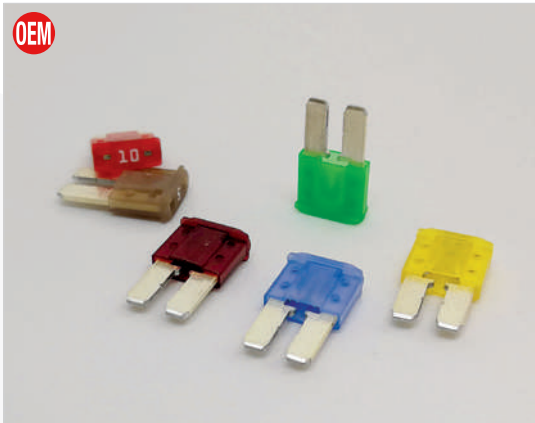


Serie Oro

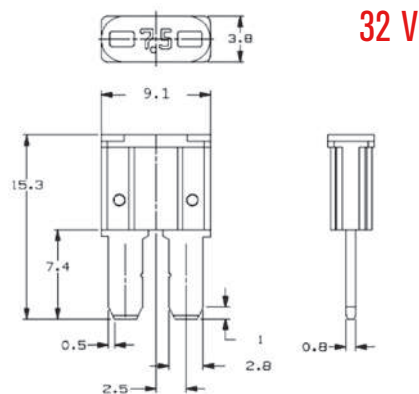
116-124

Série Or / Gold Series / Serie Oro / Gold-Serie / Série Ouro / Série Or



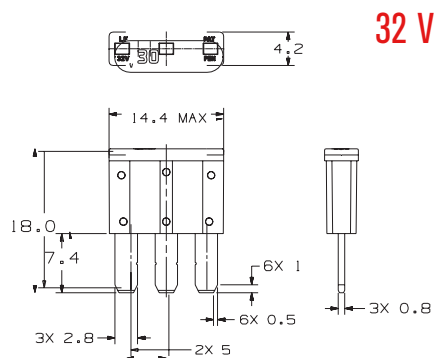
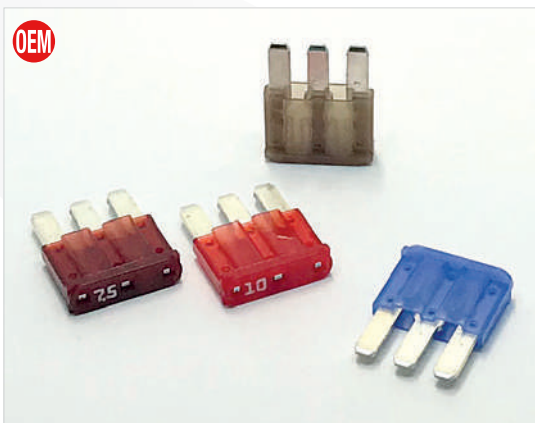


Art.	A	
03.49.05-LF	5	50/500
03.49.075-LF	7.5	50/500
03.49.10-LF	10	50/500
03.49.15-LF	15	50/500
03.49.20-LF	20	50/500
03.49.25-LF	25	50/500
03.49.30-LF	30	50/500

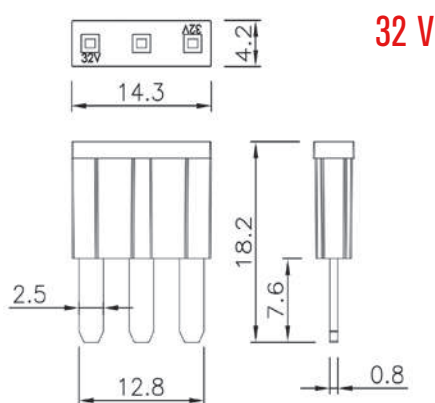
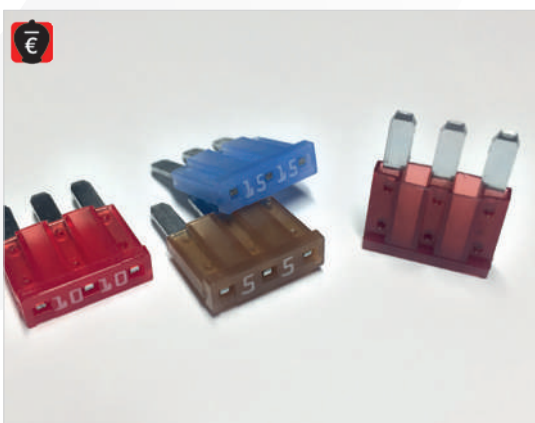


Art.	A	
03.49.05-0	5	50/500
03.49.075-0	7.5	50/500
03.49.10-0	10	50/500
03.49.15-0	15	50/500
03.49.20-0	20	50/500
03.49.25-0	25	50/500
03.49.30-0	30	50/500

Micro3 ▶ 493



Art.	A	
03.493.05-LF	5	50/500
03.493.075-LF	7.5	50/500
03.493.10-LF	10	50/500
03.493.15-LF	15	50/500

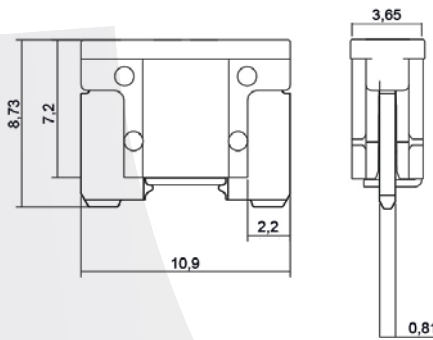


Art.	A	
03.493.05-0	5	50/500
03.493.075-0	7.5	50/500
03.493.10-0	10	50/500
03.493.15-0	15	50/500



OEM

58 V

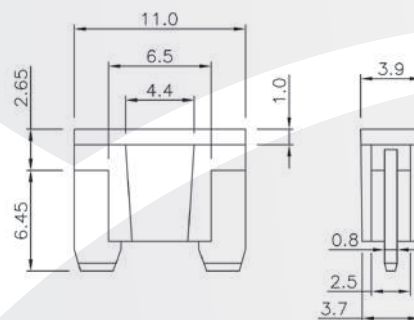


Art.	A	
03.47.02-MTA	2	50/500
03.47.03-MTA	3	50/500
03.47.04-MTA	4	50/500
03.47.05-MTA	5	50/500
03.47.075-MTA	7.5	50/500
03.47.10-MTA	10	50/500
03.47.15-MTA	15	50/500
03.47.20-MTA	20	50/500
03.47.25-MTA	25	50/500
03.47.30-MTA	30	50/500



€

58 V

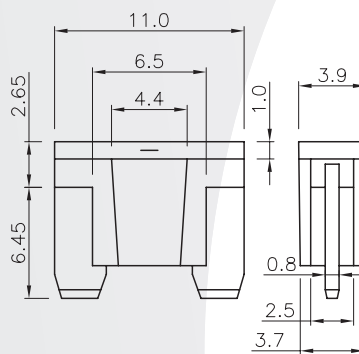


Art.	A	
03.47.02-0	2	50/500
03.47.03-0	3	50/500
03.47.04-0	4	50/500
03.47.05-0	5	50/500
03.47.075-0	7.5	50/500
03.47.10-0	10	50/500
03.47.15-0	15	50/500
03.47.20-0	20	50/500
03.47.25-0	25	50/500
03.47.30-0	30	50/500



LED

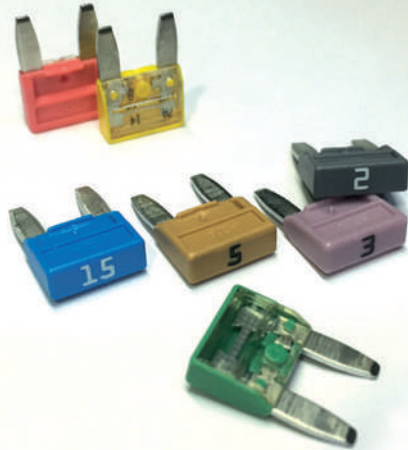
58 V



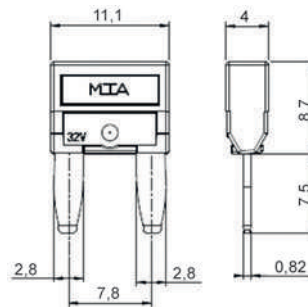
Art.	A	
03.47L.02-0	2	25/250
03.47L.03-0	3	25/250
03.47L.04-0	4	25/250
03.47L.05-0	5	25/250
03.47L.075-0	7.5	25/250
03.47L.10-0	10	25/250
03.47L.15-0	15	25/250
03.47L.20-0	20	25/250
03.47L.25-0	25	25/250
03.47L.30-0	30	25/250



OEM



32 V

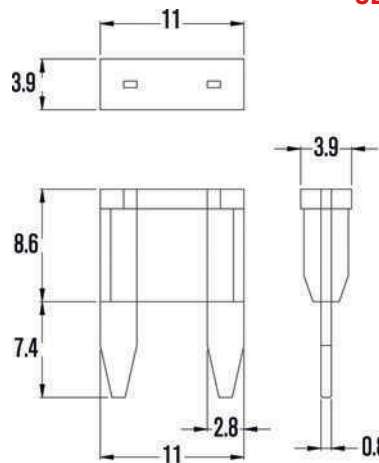


Art.	A	
03.45.02-MTA	2	50/500
03.45.03-MTA	3	50/500
03.45.04-MTA	4	50/500
03.45.05-MTA	5	50/500
03.45.075-MTA	7.5	50/500
03.45.10-MTA	10	50/500
03.45.15-MTA	15	50/500
03.45.20-MTA	20	50/500
03.45.25-MTA	25	50/500
03.45.30-MTA	30	50/500

€

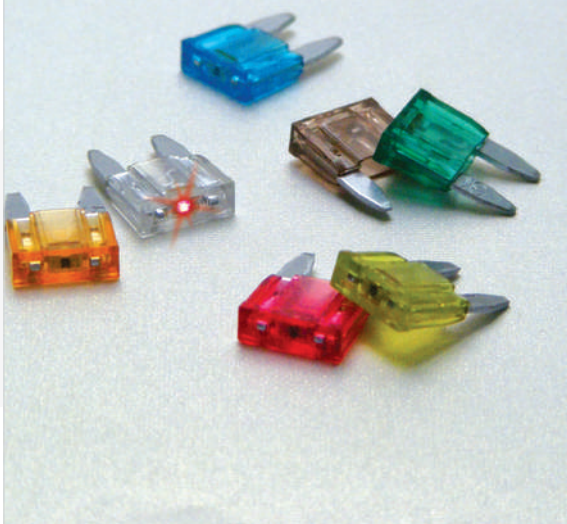


32 V

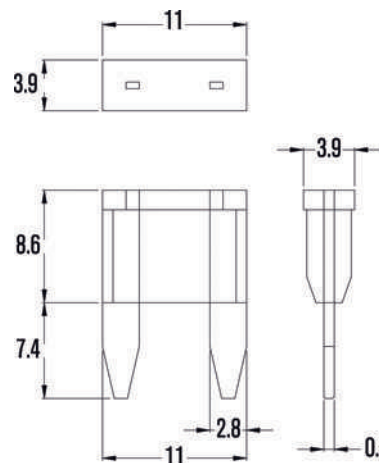


Art.	A	
03.45.02-0	2	50/500
03.45.03-0	3	50/500
03.45.04-0	4	50/500
03.45.05-0	5	50/500
03.45.075-0	7.5	50/500
03.45.10-0	10	50/500
03.45.15-0	15	50/500
03.45.20-0	20	50/500
03.45.25-0	25	50/500
03.45.30-0	30	50/500

LED



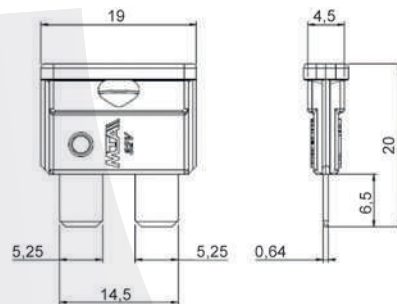
32 V



Art.	A	
03.45L.02-0	2	25/250
03.45L.03-0	3	25/250
03.45L.04-0	4	25/250
03.45L.05-0	5	25/250
03.45L.075-0	7.5	25/250
03.45L.10-0	10	25/250
03.45L.15-0	15	25/250
03.45L.20-0	20	25/250
03.45L.25-0	25	25/250
03.45L.30-0	30	25/250
03.45L.35-0	35	25/250



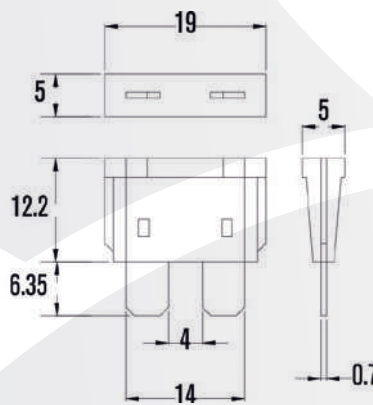
32 V



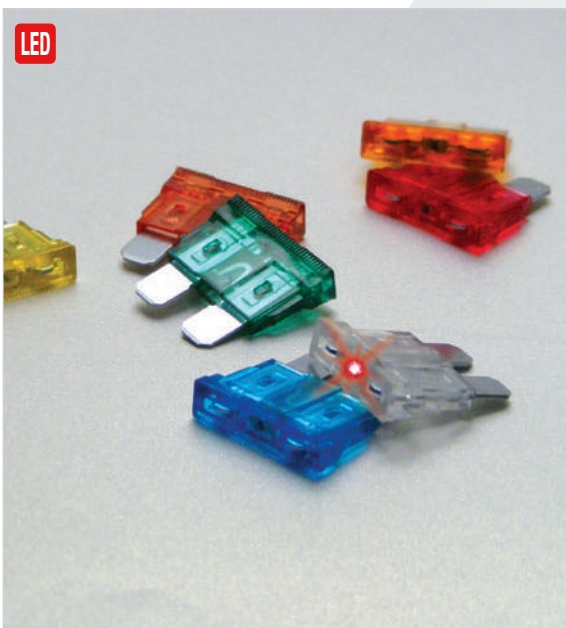
Art.	A	Icon
03.40.01-MTA	1	100/1000
03.40.02-MTA	2	100/1000
03.40.03-MTA	3	100/1000
03.40.04-MTA	4	100/1000
03.40.05-MTA	5	100/1000
03.40.075-MTA	7.5	100/1000
03.40.10-MTA	10	100/1000
03.40.15-MTA	15	100/1000
03.40.20-MTA	20	100/1000
03.40.25-MTA	25	100/1000
03.40.30-MTA	30	100/1000
03.40.40-MTA	40	100/1000



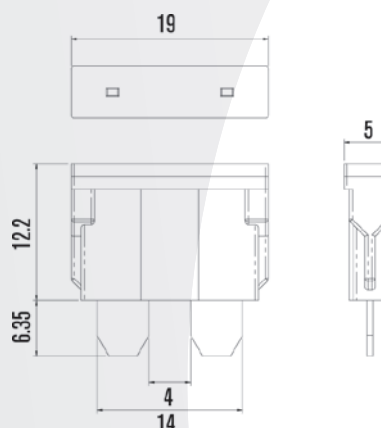
32 V



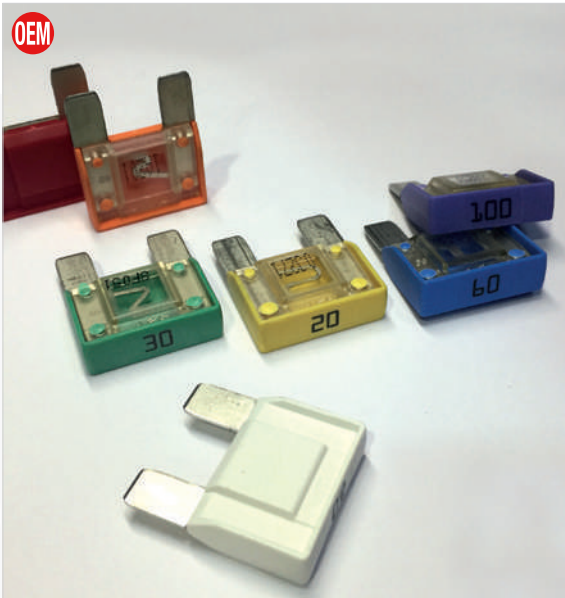
Art.	A	Icon
03.40.01-0	1	100/1000
03.40.02-0	2	100/1000
03.40.03-0	3	100/1000
03.40.04-0	4	100/1000
03.40.05-0	5	100/1000
03.40.075-0	7.5	100/1000
03.40.10-0	10	100/1000
03.40.15-0	15	100/1000
03.40.20-0	20	100/1000
03.40.25-0	25	100/1000
03.40.30-0	30	100/1000
03.40.35-0	35	100/1000
03.40.40-0	40	100/1000



32 V

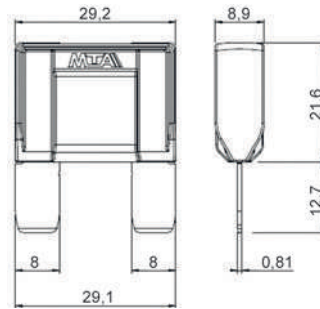


Art.	A	Icon
03.40L.02-0	2	25/250
03.40L.03-0	3	25/250
03.40L.04-0	4	25/250
03.40L.05-0	5	25/250
03.40L.075-0	7.5	25/250
03.40L.10-0	10	25/250
03.40L.15-0	15	25/250
03.40L.20-0	20	25/250
03.40L.25-0	25	25/250
03.40L.30-0	30	25/250
03.40L.35-0	35	25/250
03.40L.40-0	40	25/250



OEM

32 V

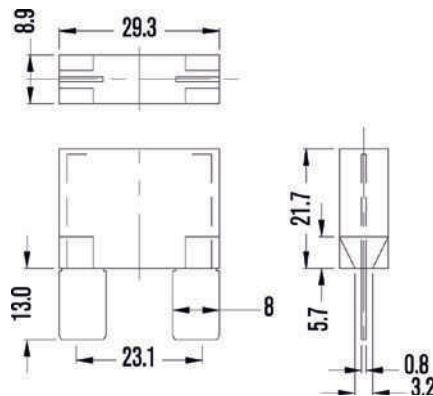


Art.	A	
03.50.20-MTA	20	10/100
03.50.30-MTA	30	10/100
03.50.40-MTA	40	10/100
03.50.50-MTA	50	10/100
03.50.60-MTA	60	10/100
03.50.70-MTA	70	10/100
03.50.80-MTA	80	10/100
03.50.100-MTA	100	10/100



€

32 V

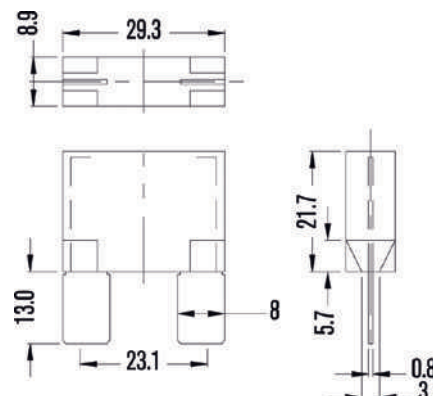


Art.	A	
03.50.20-0	20	10/100
03.50.30-0	30	10/100
03.50.40-0	40	10/100
03.50.50-0	50	10/100
03.50.60-0	60	10/100
03.50.70-0	70	10/100
03.50.80-0	80	10/100
03.50.100-0	100	10/100



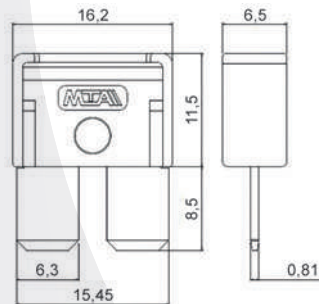
LED

32 V



Art.	A	
03.50L.20-0	20	5/50
03.50L.25-0	25	5/50
03.50L.30-0	30	5/50
03.50L.35-0	35	5/50
03.50L.40-0	40	5/50
03.50L.50-0	50	5/50
03.50L.60-0	60	5/50
03.50L.70-0	70	5/50
03.50L.80-0	80	5/50
03.50L.100-0	100	5/50
03.50L.120-0	120	5/50

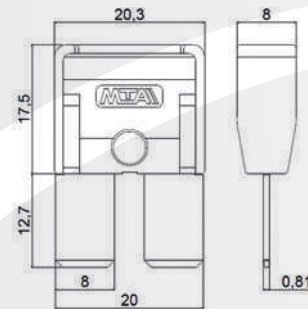
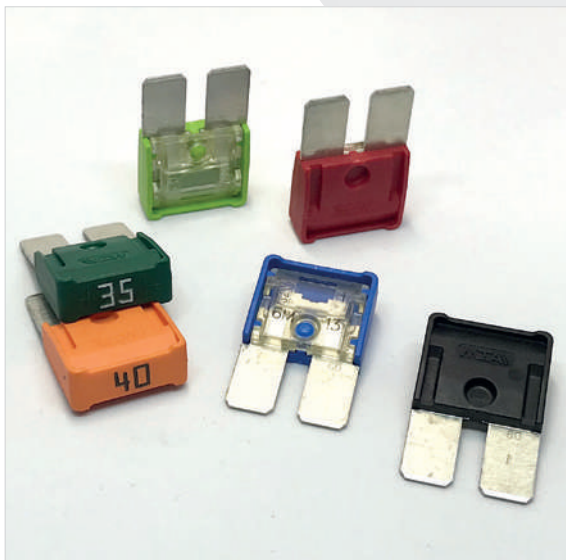
COMPACT



32 V

Art.	A	
03.50C.25-0	25	10/100
03.50C.30-0	30	10/100
03.50C.35-0	35	10/100
03.50C.40-0	40	10/100
03.50C.50-0	50	10/100
03.50C.60-0	60	10/100

COMPACT M8



32 V

Art.	A	
03.50C8.25-0	25	10/100
03.50C8.30-0	30	10/100
03.50C8.35-0	35	10/100
03.50C8.40-0	40	10/100
03.50C8.50-0	50	10/100
03.50C8.60-0	60	10/100
03.50C8.70-0	70	10/100
03.50C8.80-0	80	10/100

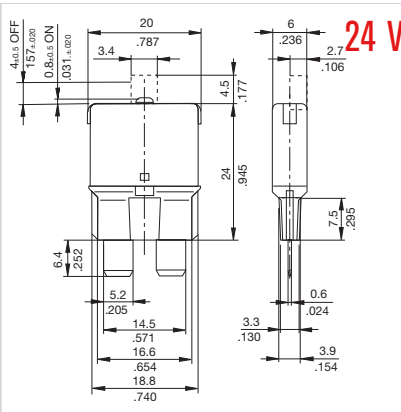
AUTO



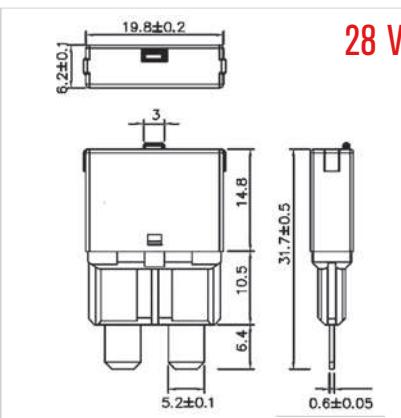
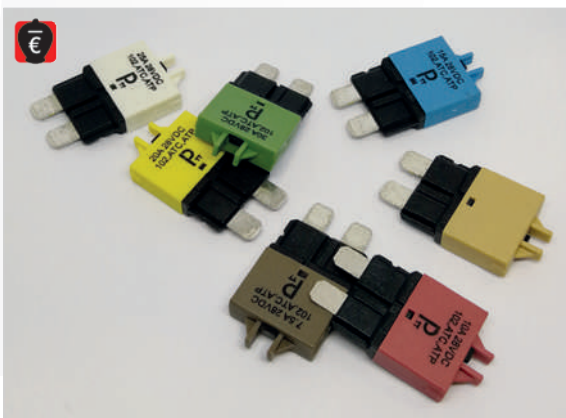
UNI 40R

Disyuntores / Disjoncteurs / Circuit breakers / Interruttori / Sicherungsautomaten / Disjuntores / Disjuntors

Rearme manual / Réarmement manuel / Manual reset / Reset manuale / Manueller Rückstellung /
Reinício manual / Reset manual

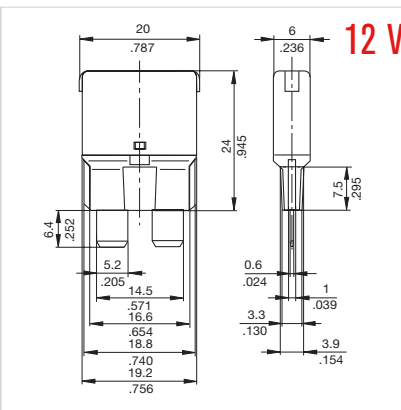


Art.	A	
03.40RM.05-0	5	5/50
03.40RM.06-0	6	5/50
03.40RM.08-0	8	5/50
03.40RM.10-0	10	5/50
03.40RM.15-0	15	5/50
03.40RM.20-0	20	5/50
03.40RM.25-0	25	5/50
03.40RM.30-0	30	5/50

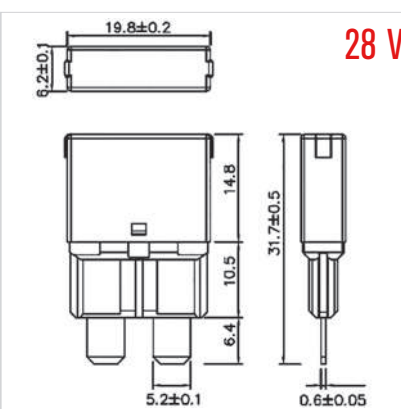


Art.	A	
03.40RM.05-E	5	5/50
03.40RM.075-E	7,5	5/50
03.40RM.10-E	10	5/50
03.40RM.15-E	15	5/50
03.40RM.20-E	20	5/50
03.40RM.25-E	25	5/50
03.40RM.30-E	30	5/50

Rearme automático / Réarmement automatique / Automatic reset / Reset automatico / Automatischer Rückstellung /
Reinício automático / Reset automático



Art.	A	
03.40RA.05-0	5	5/50
03.40RA.06-0	6	5/50
03.40RA.08-0	8	5/50
03.40RA.10-0	10	5/50
03.40RA.15-0	15	5/50
03.40RA.20-0	20	5/50
03.40RA.25-0	25	5/50
03.40RA.30-0	30	5/50



Art.	A	
03.40RA.05-E	5	5/50
03.40RA.075-E	7,5	5/50
03.40RA.10-E	10	5/50
03.40RA.15-E	15	5/50
03.40RA.20-E	20	5/50
03.40RA.25-E	25	5/50
03.40RA.30-E	30	5/50

AUTO

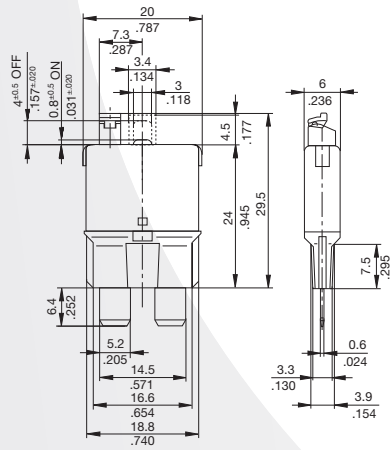


Manual con mecanismo de ruptura / With manual release push-button / Avec bouton à déclanchement manuel /
 Con pulsante di rilascio manuale / Mit Handauslöser Druckknopf / Com botão de liberação manual / Amb botó d'obertura manual

AUTO

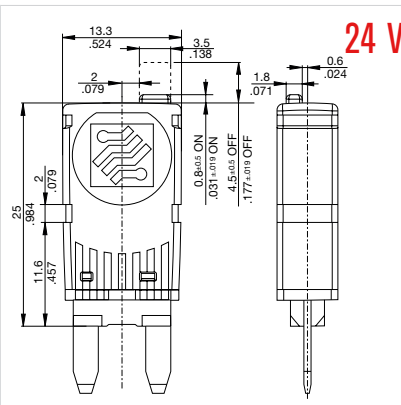


24 V

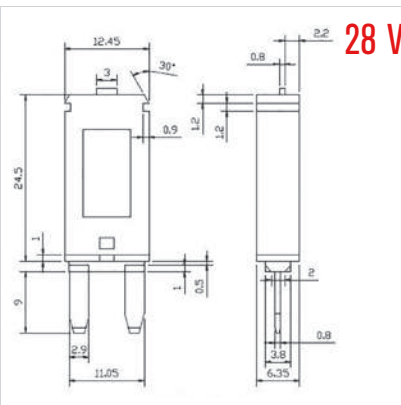


Art.	A	
03.40RR.05-0	5	5/50
03.40RR.06-0	6	5/50
03.40RR.08-0	8	5/50
03.40RR.10-0	10	5/50
03.40RR.15-0	15	5/50
03.40RR.20-0	20	5/50
03.40RR.25-0	25	5/50
03.40RR.30-0	30	5/50

Rearme manual / Réarmement manuel / Manual reset / Reset manuale / Manueller Rückstellung /
Reinício manual / Reset manual

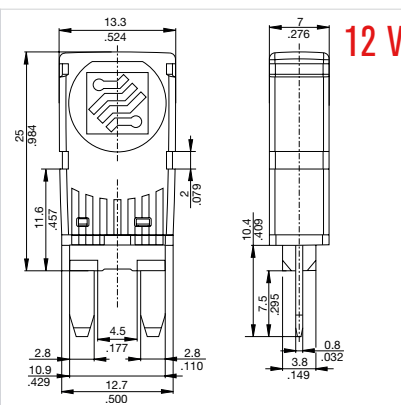


Art.	A	
03.45RM.05-0	5	5/50
03.45RM.075-0	7.5	5/50
03.45RM.10-0	10	5/50
03.45RM.15-0	15	5/50
03.45RM.20-0	20	5/50
03.45RM.25-0	25	5/50
03.45RM.30-0	30	5/50

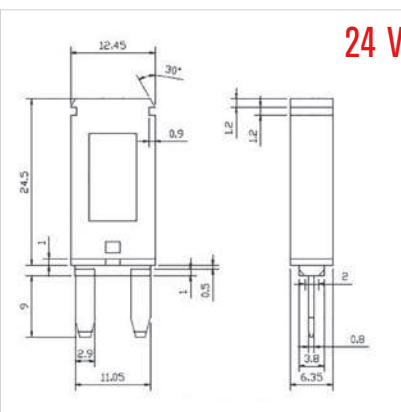
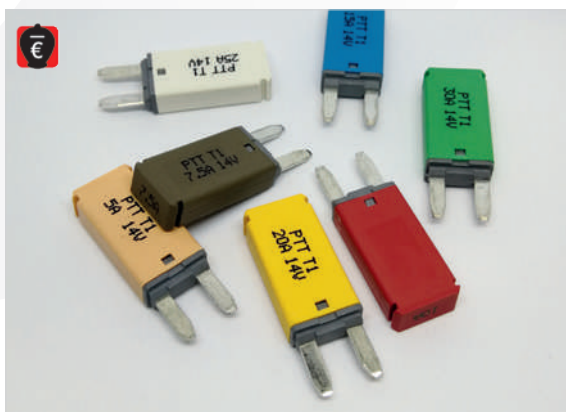


Art.	A	
03.45RM.05-E	5	5/50
03.45RM.075-E	7.5	5/50
03.45RM.10-E	10	5/50
03.45RM.15-E	15	5/50
03.45RM.20-E	20	5/50
03.45RM.25-E	25	5/50
03.45RM.30-E	30	5/50

Rearme automático / Réarmement automatique / Automatic reset / Reset automatico / Automatischer Rückstellung /
Reinício automático / Reset automático



Art.	A	
03.45RA.05-0	5	5/50
03.45RA.075-0	7.5	5/50
03.45RA.10-0	10	5/50
03.45RA.15-0	15	5/50
03.45RA.20-0	20	5/50
03.45RA.25-0	25	5/50
03.45RA.30-0	30	5/50



Art.	A	
03.45RA.05-E	5	5/50
03.45RA.075-E	7.5	5/50
03.45RA.10-E	10	5/50
03.45RA.15-E	15	5/50
03.45RA.20-E	20	5/50
03.45RA.25-E	25	5/50
03.45RA.30-E	30	5/50

AUTO

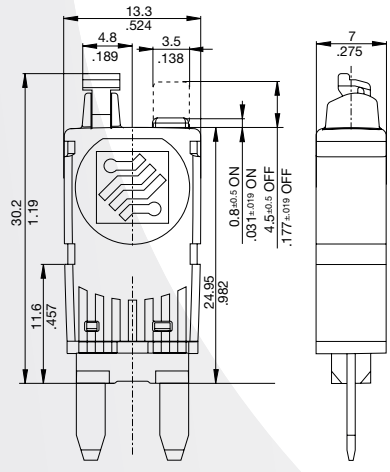


Manual con mecanismo de ruptura / With manual release push-button / Avec bouton à déclenchement manuel /
 Con pulsante di rilascio manuale / Mit Handauslöser Druckknopf / Com botão de liberação manual / Amb botó d'obertura manual



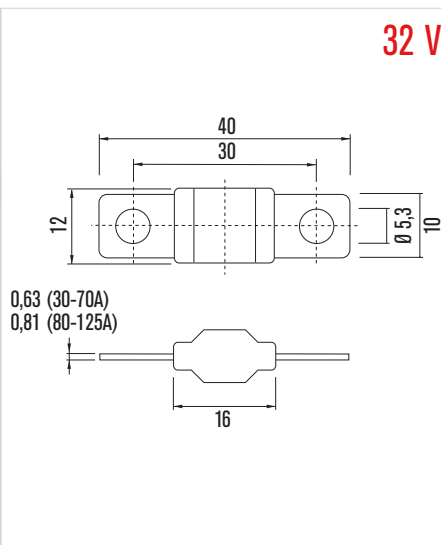
OEM

24 V



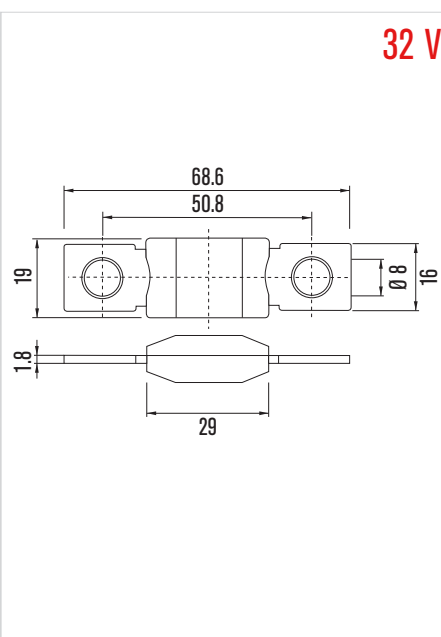
Art.	A	
03.45RR.05-0	5	5/50
03.45RR.075-0	7.5	5/50
03.45RR.10-0	10	5/50
03.45RR.15-0	15	5/50
03.45RR.20-0	20	5/50
03.45RR.25-0	25	5/50
03.45RR.30-0	30	5/50

AUTO



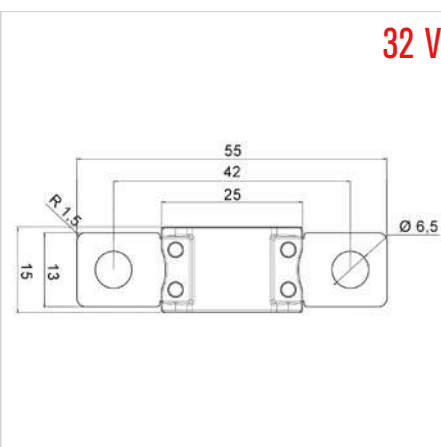
Art.	A	
03.55.30-0	30	5/50
03.55.40-0	40	5/50
03.55.50-0	50	5/50
03.55.60-0	60	5/50
03.55.70-0	70	5/50
03.55.80-0	80	5/50
03.55.100-0	100	5/50
03.55.125-0	125	5/50
03.55.150-0*	150	5/50
03.55.175-0*	175	5/50
03.55.200-0*	200	5/50

MEGA ▶ 60



Art.	A	
03.60.80-0*	80	5/50
03.60.100-0	100	5/50
03.60.125-0	125	5/50
03.60.150-0	150	5/50
03.60.175-0	175	5/50
03.60.200-0	200	5/50
03.60.225-0	225	5/50
03.60.250-0	250	5/50
03.60.300-0	300	5/50
03.60.350-0*	350	5/50
03.60.400-0	400	5/50
03.60.450-0*	450	5/50
03.60.500-0	500	5/50

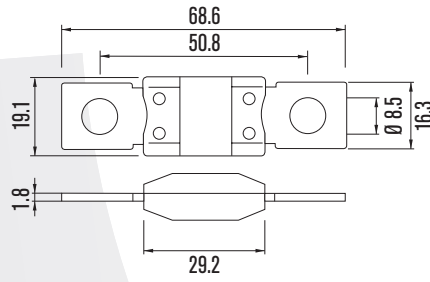
MEGAccompact ▶ 60C



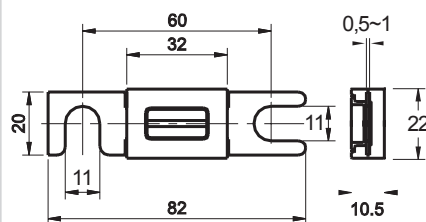
Art.	A	
03.60C.80-0	80	5/50
03.60C.100-0	100	5/50
03.60C.125-0	125	5/50
03.60C.150-0	150	5/50
03.60C.175-0	175	5/50
03.60C.200-0	200	5/50
03.60C.225-0	225	5/50
03.60C.250-0	250	5/50



32 V



Art.	
03.CAL.1-0	5/50
03.CAL.2-0	5/50
03.CAL.3-0	5/50
03.CAL.4-0	5/50
03.CAL.5-0	5/50

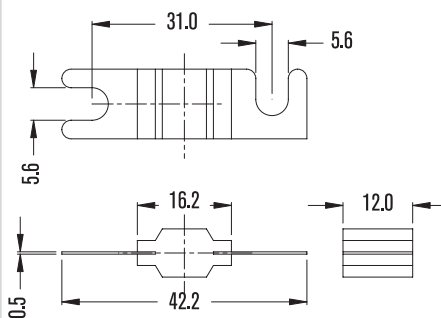


32 V

Art.	A	
<input type="checkbox"/> 03.547.35-0	35A	5/50
<input type="checkbox"/> 03.547.40-0	40A	5/50
<input type="checkbox"/> 03.547.50-0	50A	5/50
<input type="checkbox"/> 03.547.63-0	63A	5/50
<input type="checkbox"/> 03.547.80-0	80A	5/50
<input type="checkbox"/> 03.547.100-0	100A	5/50
<input type="checkbox"/> 03.547.125-0	125A	5/50
<input type="checkbox"/> 03.547.130-0	130A	5/50
<input type="checkbox"/> 03.547.135-0	135A	5/50
<input type="checkbox"/> 03.547.150-0	150A	5/50
<input type="checkbox"/> 03.547.160-0	160A	5/50
<input type="checkbox"/> 03.547.175-0	175A	5/50
<input type="checkbox"/> 03.547.200-0	200A	5/50
<input type="checkbox"/> 03.547.225-0	225A	5/50
<input type="checkbox"/> 03.547.250-0	250A	5/50
<input type="checkbox"/> 03.547.275-0	275A	5/50
<input type="checkbox"/> 03.547.300-0	300A	5/50
<input type="checkbox"/> 03.547.325-0	325A	5/50
<input type="checkbox"/> 03.547.355-0	355A	5/50
<input type="checkbox"/> 03.547.400-0	400A	5/50
<input type="checkbox"/> 03.547.425-0	425A	5/50
<input type="checkbox"/> 03.547.500-0	500A	5/50

AUTO

STRIPSm mini ▶ 548

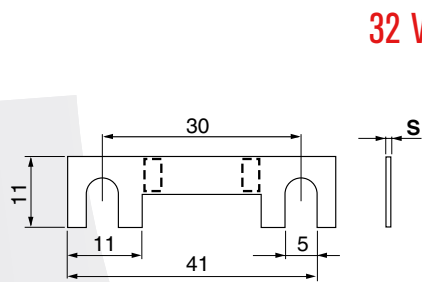
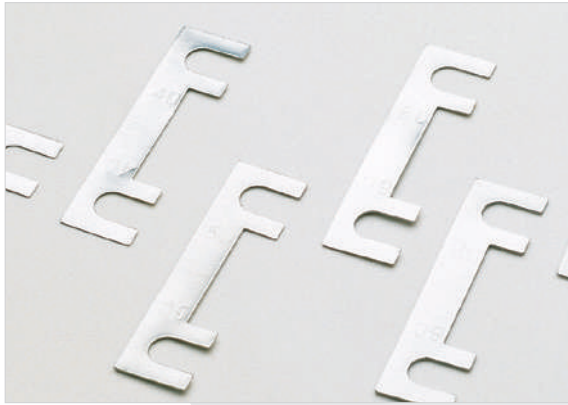


32 V

Art.	A	
<input type="checkbox"/> 03.548.30-0	30A	5/50
<input type="checkbox"/> 03.548.40-0	40A	5/50
<input type="checkbox"/> 03.548.50-0	50A	5/50
<input type="checkbox"/> 03.548.60-0	60A	5/50
<input type="checkbox"/> 03.548.70-0	70A	5/50
<input type="checkbox"/> 03.548.80-0	80A	5/50
<input type="checkbox"/> 03.548.100-0	100A	5/50
<input type="checkbox"/> 03.548.125-0	125A	5/50
<input type="checkbox"/> 03.548.150-0	150A	5/50
<input type="checkbox"/> 03.548.200-0	200A	5/50

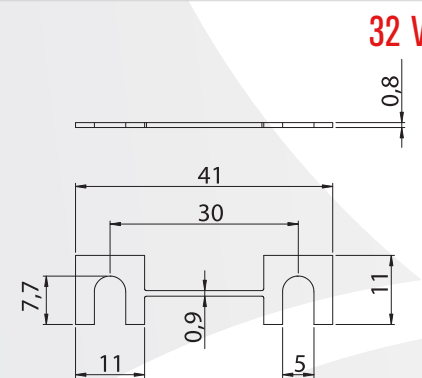
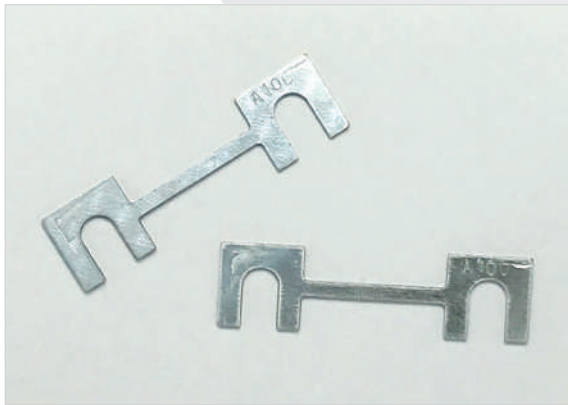


► 20



Art.	A	
03.20.30-0	30A	100/1000
03.20.40-0	40A	100/1000
03.20.50-0	50A	100/1000
03.20.60-0	60A	100/1000
03.20.70-0	70A	100/1000
03.20.80-0	80A	100/1000
03.20.100-0	100A	100/1000

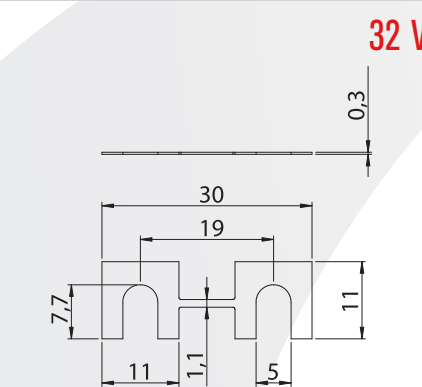
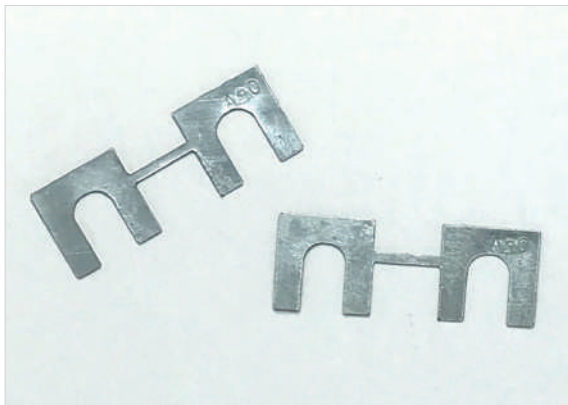
► 21



Art.	A	
03.21.30-0	30A	100/1000
03.21.40-0	40A	100/1000
03.21.50-0	50A	100/1000
03.21.60-0	60A	100/1000
03.21.80-0	80A	100/1000
03.21.100-0	100A	100/1000

DIN-72581/2

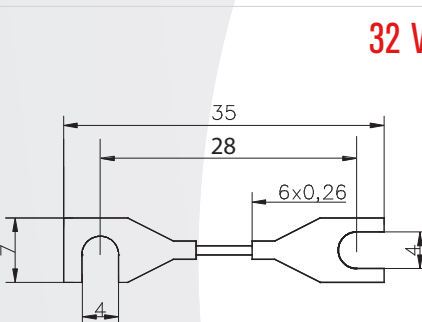
► 22



Art.	A	
03.22.30-0	30A	100/1000
03.22.40-0	40A	100/1000

DIN-72581/2

► 23

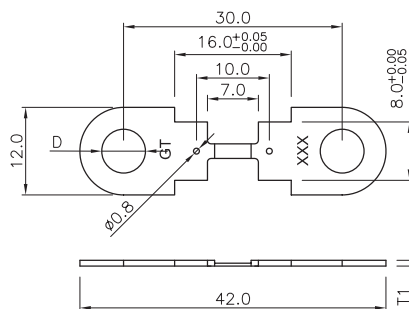


Art.	A	
03.23.25-0	25A	100/1000

FIAT-OM



32 V



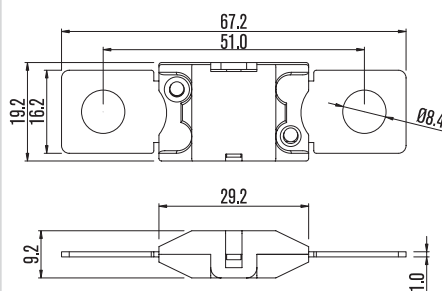
Art.	A	
------	---	--

- 03.565.030-0 30A 100/1000
- 03.565.040-0 40A 100/1000
- 03.565.050-0 50A 100/1000
- 03.565.060-0 60A 100/1000
- 03.565.080-0 80A 100/1000
- 03.565.110-0 110A 100/1000
- 03.565.150-0 150A 100/1000
- 03.565.175-0 175A 100/1000
- 03.565.200-0 200A 100/1000
- 03.565.250-0 250A 100/1000

STRIPSmega ▶ 549



32 V



Art.	A	
------	---	--

- 03.549.100-0 100A 5/50
- 03.549.125-0 125A 5/50
- 03.549.150-0 150A 5/50
- 03.549.175-0 175A 5/50
- 03.549.200-0 200A 5/50
- 03.549.225-0 225A 5/50
- 03.549.250-0 250A 5/50

CUBE ▶ 550



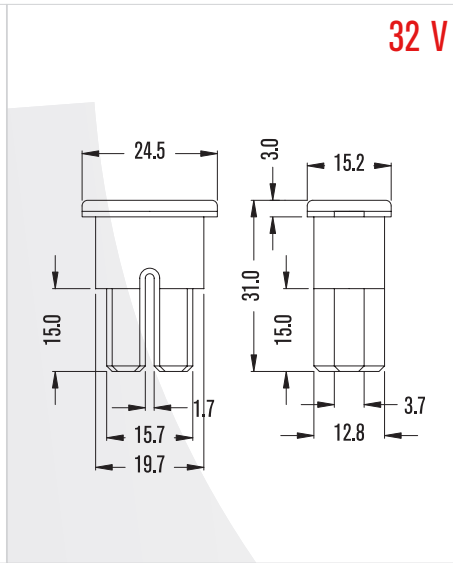
58 V



Art.	A	
------	---	--

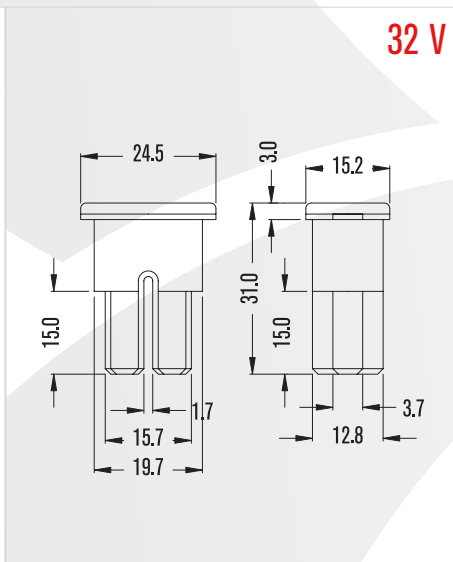
- 03.550.050-0 50A 5/50
- 03.550.075-0 75A 5/50
- 03.550.100-0 100A 5/50
- 03.550.125-0 125A 5/50
- 03.550.150-0 150A 5/50
- 03.550.175-0 175A 5/50
- 03.550.200-0 200A 5/50
- 03.550.250-0 250A 5/50
- 03.550.300-0 300A 5/50

▶ 70



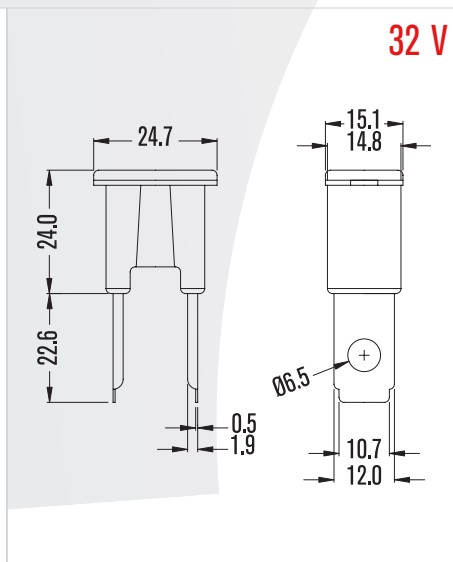
Art.	A	
03.70.20-0	20A	5/50
03.70.30-0	30A	5/50
03.70.40-0	40A	5/50
03.70.50-0	50A	5/50
03.70.60-0	60A	5/50
03.70.70-0	70A	5/50
03.70.80-0	80A	5/50
03.70.100-0	100A	5/50
03.70.120-0	120A	5/50

▶ 70L



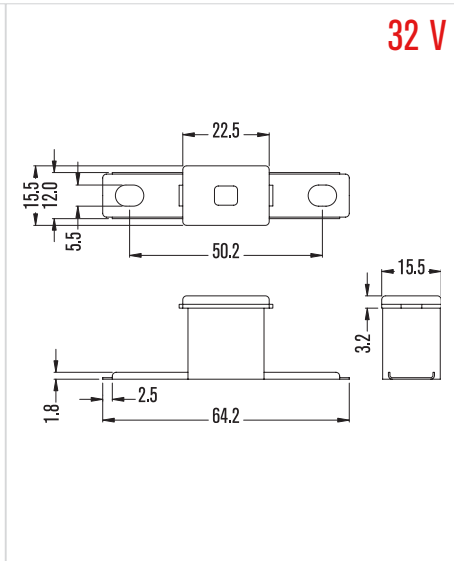
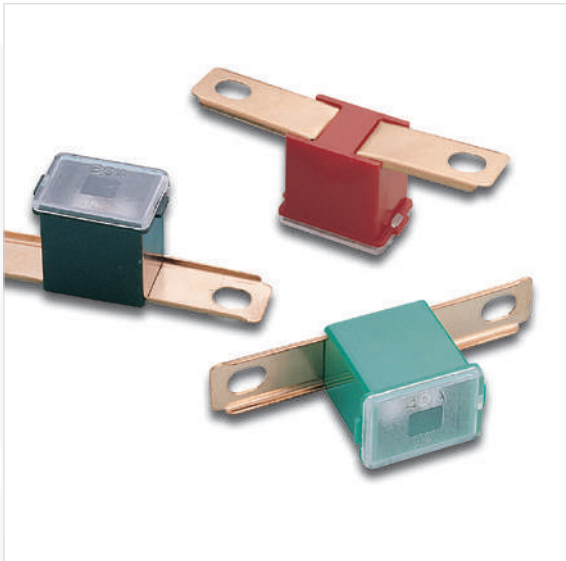
Art.	A	
03.70L.20-0	20A	5/50
03.70L.30-0	30A	5/50
03.70L.40-0	40A	5/50
03.70L.50-0	50A	5/50
03.70L.60-0	60A	5/50
03.70L.70-0	70A	5/50
03.70L.80-0	80A	5/50
03.70L.100-0	100A	5/50

▶ 71



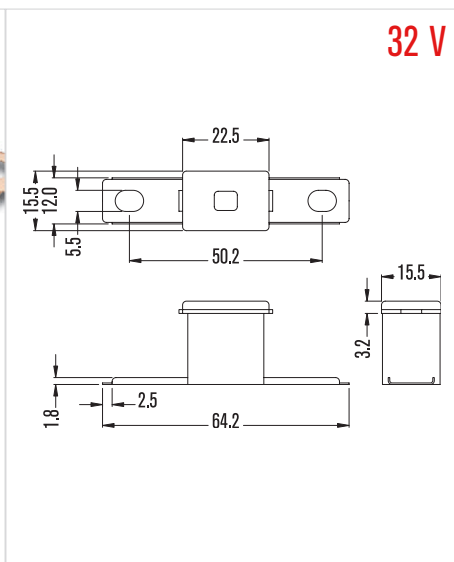
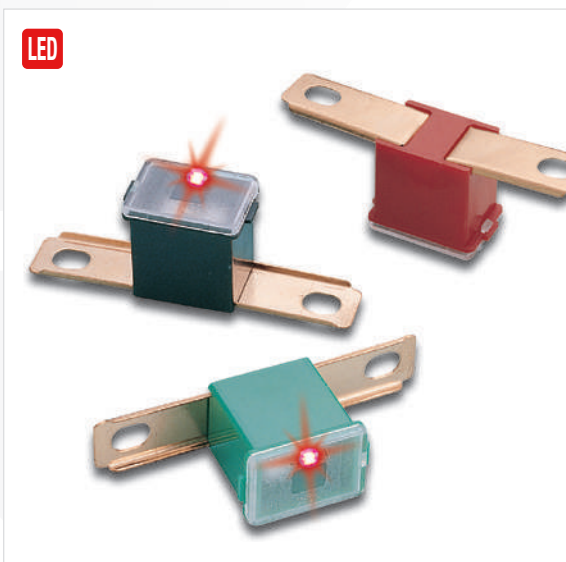
Art.	A	
03.71.20-0	20A	5/50
03.71.30-0	30A	5/50
03.71.40-0	40A	5/50
03.71.50-0	50A	5/50
03.71.60-0	60A	5/50
03.71.70-0	70A	5/50
03.71.80-0	80A	5/50
03.71.100-0	100A	5/50
03.71.120-0	120A	5/50

▶ 72



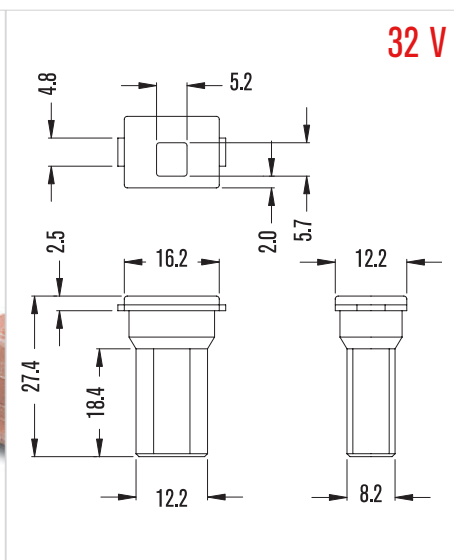
Art.	A	
03.72.20-0	20A	5/50
03.72.30-0	30A	5/50
03.72.40-0	40A	5/50
03.72.50-0	50A	5/50
03.72.60-0	60A	5/50
03.72.70-0	70A	5/50
03.72.80-0	80A	5/50
03.72.100-0	100A	5/50
03.72.120-0	120A	5/50

▶ 72L



Art.	A	
03.72L.20-0	20A	5/50
03.72L.30-0	30A	5/50
03.72L.40-0	40A	5/50
03.72L.50-0	50A	5/50
03.72L.60-0	60A	5/50
03.72L.70-0	70A	5/50
03.72L.80-0	80A	5/50
03.72L.100-0	100A	5/50
03.72L.120-0	120A	5/50

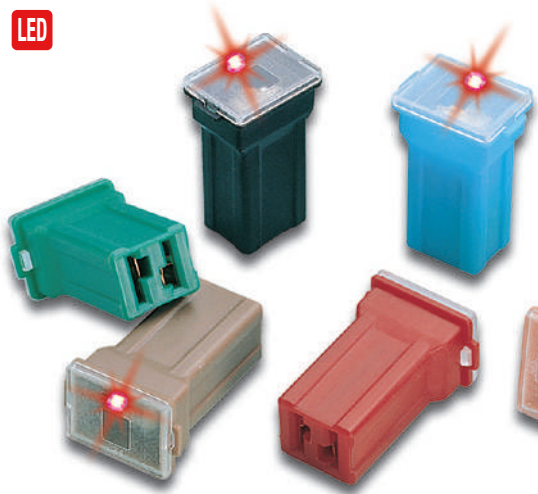
▶ 73



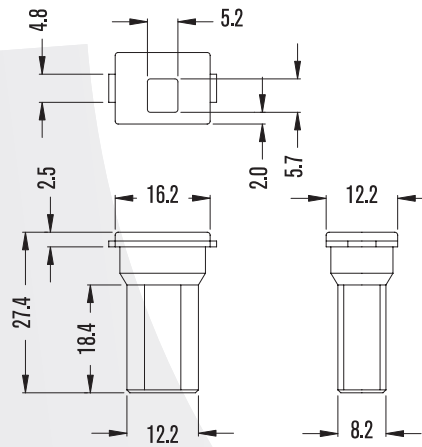
Art.	A	
03.73.20-0	20A	5/50
03.73.30-0	30A	5/50
03.73.40-0	40A	5/50
03.73.50-0	50A	5/50
03.73.60-0	60A	5/50
03.73.70-0	70A	5/50
03.73.80-0	80A	5/50

▶ 73L

LED

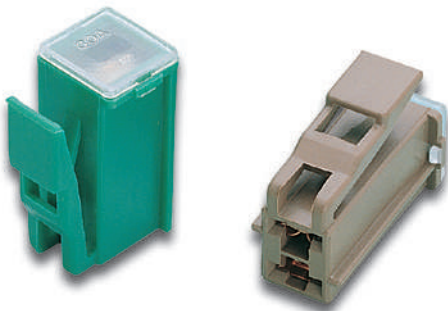


32 V

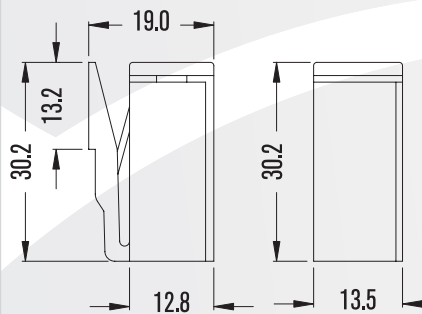


Art.	A	
03.73L.20-0	20A	5/50
03.73L.30-0	30A	5/50
03.73L.40-0	40A	5/50
03.73L.50-0	50A	5/50
03.73L.60-0	60A	5/50
03.73L.70-0	70A	5/50
03.73L.80-0	80A	5/50

▶ 74



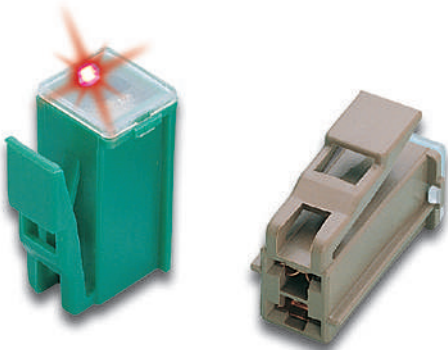
32 V



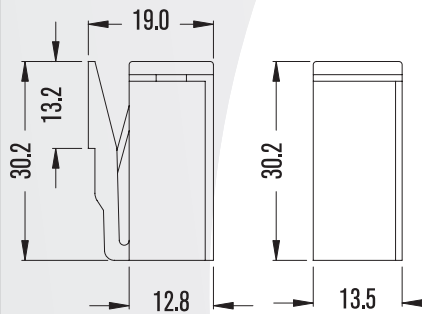
Art.	A	
03.74.20-0	20A	5/50
03.74.25-0	25A	5/50
03.74.30-0	30A	5/50
03.74.40-0	40A	5/50
03.74.50-0	50A	5/50
03.74.60-0	60A	5/50
03.74.70-0	70A	5/50
03.74.80-0	80A	5/50
03.74.100-0	100A	5/50

▶ 74L

LED

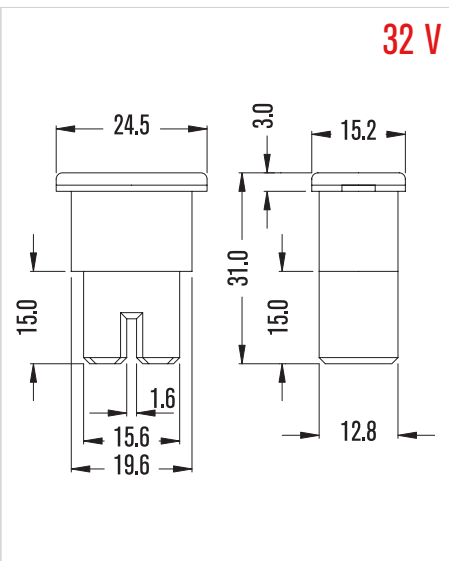


32 V



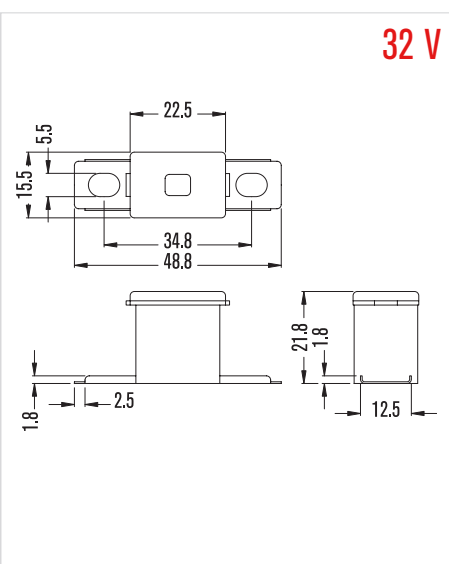
Art.	A	
03.74L.25-0	25A	5/50
03.74L.30-0	30A	5/50
03.74L.40-0	40A	5/50
03.74L.50-0	50A	5/50
03.74L.60-0	60A	5/50
03.74L.70-0	70A	5/50
03.74L.80-0	80A	5/50
03.74L.100-0	100A	5/50

▶ 76



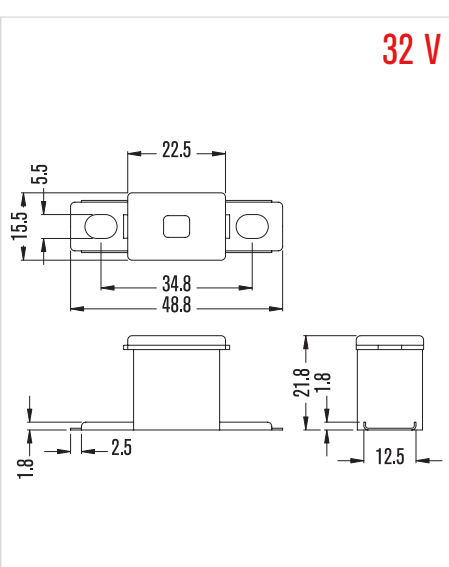
Art.	A	
03.76.20-0	20A	5/50
03.76.30-0	30A	5/50
03.76.40-0	40A	5/50
03.76.50-0	50A	5/50
03.76.60-0	60A	5/50
03.76.70-0	70A	5/50
03.76.80-0	80A	5/50
03.76.100-0	100A	5/50
03.76.120-0	120A	5/50

▶ 77



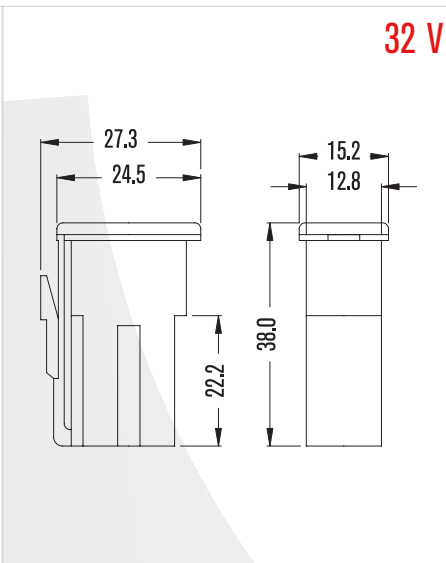
Art.	A	
03.77.20-0	20A	5/50
03.77.30-0	30A	5/50
03.77.40-0	40A	5/50
03.77.50-0	50A	5/50
03.77.60-0	60A	5/50
03.77.70-0	70A	5/50
03.77.80-0	80A	5/50
03.77.100-0	100A	5/50
03.77.120-0	120A	5/50

▶ 77L



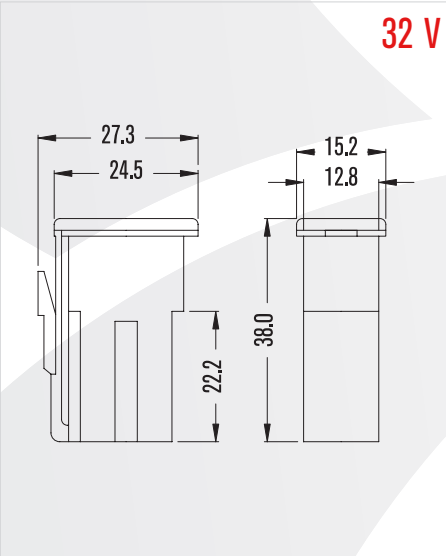
Art.	A	
03.77L.20-0	20A	5/50
03.77L.30-0	30A	5/50
03.77L.40-0	40A	5/50
03.77L.50-0	50A	5/50
03.77L.60-0	60A	5/50
03.77L.70-0	70A	5/50
03.77L.80-0	80A	5/50
03.77L.100-0	100A	5/50
03.77L.120-0	120A	5/50
03.77L.140-0	140A	5/50

► 78



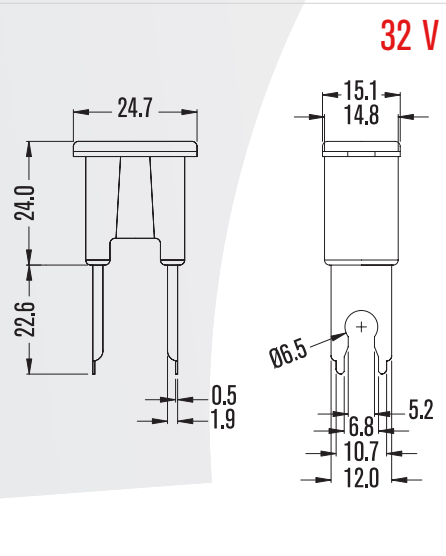
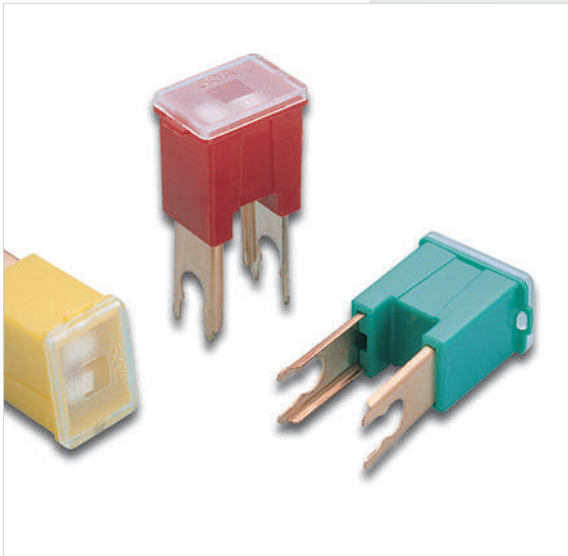
Art.	A	
03.78.45-0	45A	5/50
03.78.65-0	65A	5/50
03.78.75-0	75A	5/50

► 78L



Art.	A	
03.78L.45-0	45A	5/50
03.78L.65-0	65A	5/50
03.78L.75-0	75A	5/50

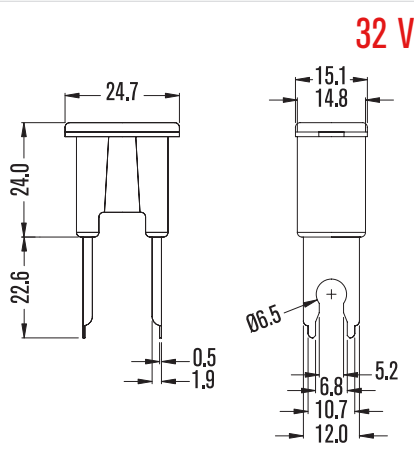
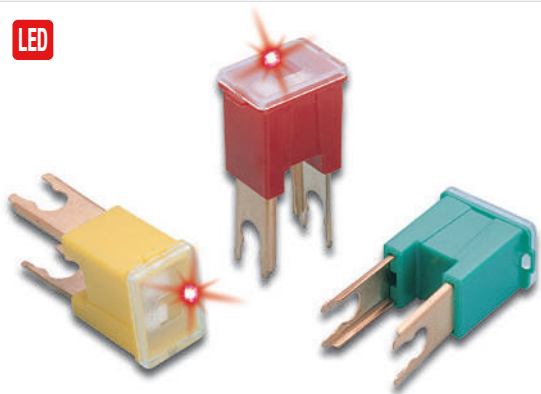
► 79



Art.	A	
03.79.20-0	20A	5/50
03.79.30-0	30A	5/50
03.79.40-0	40A	5/50
03.79.50-0	50A	5/50
03.79.60-0	60A	5/50
03.79.70-0	70A	5/50
03.79.80-0	80A	5/50
03.79.100-0	100A	5/50
03.79.120-0	120A	5/50

▶ 79L

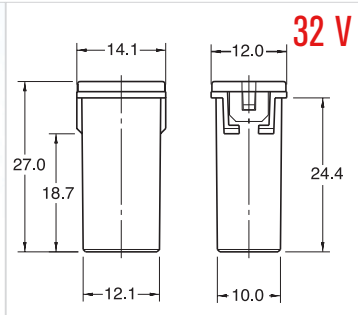
LED



32 V

Art.	A	
03.79L.20-0	20A 5/50	
03.79L.30-0	30A 5/50	
03.79L.40-0	40A 5/50	
03.79L.50-0	50A 5/50	
03.79L.60-0	60A 5/50	
03.79L.70-0	70A 5/50	
03.79L.80-0	80A 5/50	
03.79L.100-0	100A 5/50	
03.79L.120-0	120A 5/50	

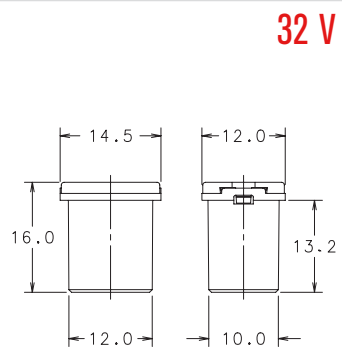
▶ JCASE



32 V

Art.	A	
03.JCASE.20-0	20A 10/100	
03.JCASE.25-0	25A 10/100	
03.JCASE.30-0	30A 10/100	
03.JCASE.40-0	40A 10/100	
03.JCASE.50-0	50A 10/100	
03.JCASE.60-0	60A 10/100	

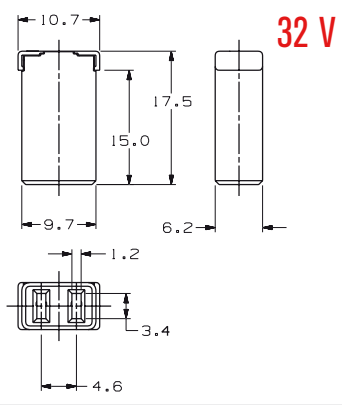
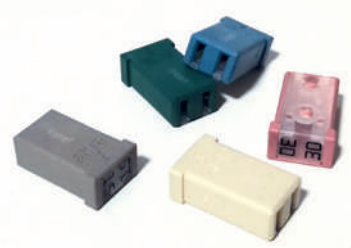
▶ JCASE LP



32 V

Art.	A	
03.JCASELP.20-0	20A 10/100	
03.JCASELP.25-0	25A 10/100	
03.JCASELP.30-0	30A 10/100	
03.JCASELP.40-0	40A 10/100	
03.JCASELP.50-0	50A 10/100	
03.JCASELP.60-0	60A 10/100	

▶ MCASE



32 V

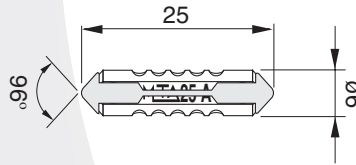
Art.	A	
03.MCASE.15-0	15A 10/100	
03.MCASE.20-0	20A 10/100	
03.MCASE.25-0	25A 10/100	
03.MCASE.30-0	30A 10/100	
03.MCASE.40-0	40A 10/100	



▶ 30



32 V

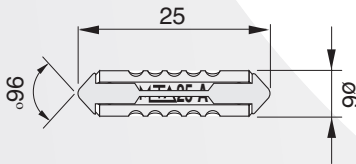


Art.	A	
03.30.05-MTA	5A	100/1000
03.30.08-MTA	8A	100/1000
03.30.16-MTA	16A	100/1000
03.30.25-MTA	25A	100/1000

DIN-72581



32 V



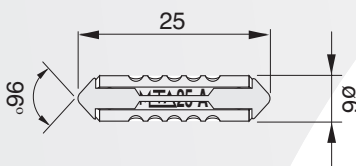
Art.	A	
03.30.05-0	5A	100/1000
03.30.08-0	8A	100/1000
03.30.16-0	16A	100/1000
03.30.25-0	25A	100/1000
03.30.40-0	40A	100/1000

DIN-72581

▶ 32



32 V

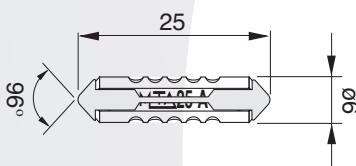


Art.	A	
03.32.05-MTA	5A	100/1000
03.32.08-MTA	8A	100/1000
03.32.10-MTA	10A	100/1000
03.32.16-MTA	16A	100/1000
03.32.25-MTA	25A	100/1000

BNA-709



32 V



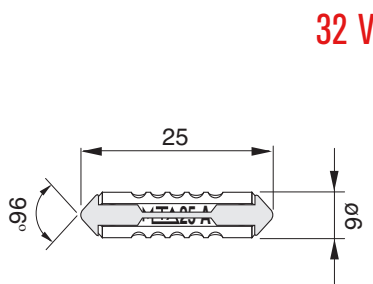
Art.	A	
03.32.05-0	5A	100/1000
03.32.08-0	8A	100/1000
03.32.10-0	10A	100/1000
03.32.16-0	16A	100/1000
03.32.25-0	25A	100/1000
03.32.40-0	40A	100/1000

BNA-709

AUTO

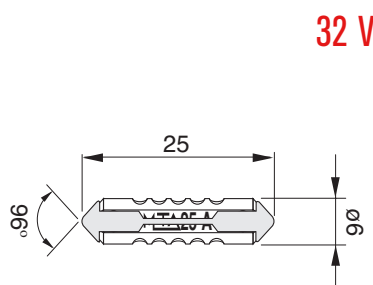


► 56



Art.	A	
03.56.05-MTA	5A	100/1000
03.56.08-MTA	8A	100/1000
03.56.16-MTA	16A	100/1000
03.56.25-MTA	25A	100/1000

FIAT 9.91806



Art.	A	
03.56.05-0	5A	100/1000
03.56.08-0	8A	100/1000
03.56.10-0	10A	100/1000
03.56.16-0	16A	100/1000
03.56.25-0	25A	100/1000
03.56.40-0	40A	100/1000

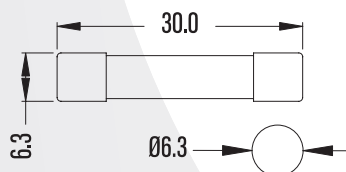
FIAT 9.91806

6,3x30 mm. Fusión rápida

Fusion rapide / Fast acting / Azione rapida / Schnell Wirkende / Fusão rápida / Fusió ràpida



▶ 33



32 V

Art.	A	
03.33.005-0	0.5A	100/1000
03.33.01-0	1A	100/1000
03.33.015-0	1.5A	100/1000
03.33.02-0	2A	100/1000
03.33.025-0	2.5A	100/1000
03.33.03-0	3A	100/1000
03.33.04-0	4A	100/1000
03.33.05-0	5A	100/1000
03.33.06-0	6A	100/1000
03.33.07-0	7A	100/1000
03.33.075-0	7.5A	100/1000
03.33.10-0	10A	100/1000
03.33.15-0	15A	100/1000
03.33.20-0	20A	100/1000
03.33.25-0	25A	100/1000
03.33.30-0	30A	100/1000
03.33.35-0	35A	100/1000
03.33.40-0	40A	100/1000



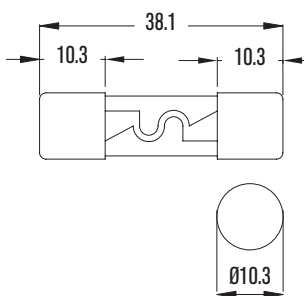
AUDIOCAR 10x38 mm. Fusión rápida

Fusion rapide / Fast acting / Azione rapida / Schnell Wirkende / Fusão rápida / Fusió ràpida

▶ 65



32 V



Art.	A	
03.65.01-0	1A	5/50
03.65.02-0	2A	5/50
03.65.04-0	4A	5/50
03.65.05-0	5A	5/50
03.65.06-0	6A	5/50
03.65.075-0	7.5A	5/50
03.65.10-0	10A	5/50
03.65.12-0	12A	5/50
03.65.15-0	15A	5/50
03.65.20-0	20A	5/50
03.65.25-0	25A	5/50
03.65.30-0	30A	5/50
03.65.35-0	35A	5/50
03.65.40-0	40A	5/50
03.65.45-0	45A	5/50
03.65.50-0	50A	5/50
03.65.60-0	60A	5/50
03.65.70-0	70A	5/50
03.65.80-0	80A	5/50
03.65.500-1	500A	5/50

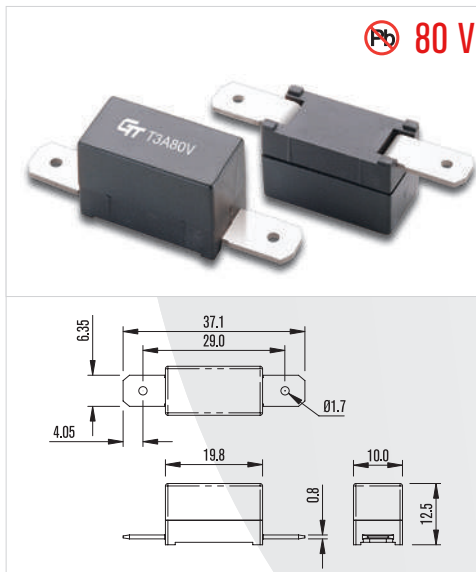
AUTO

EZfus - IEC60127/UL248 Fusión lenta

Fusion lente / Slow Blow / Fusione lenta / Langsamer Schlag / Lentos / Fusió lenta

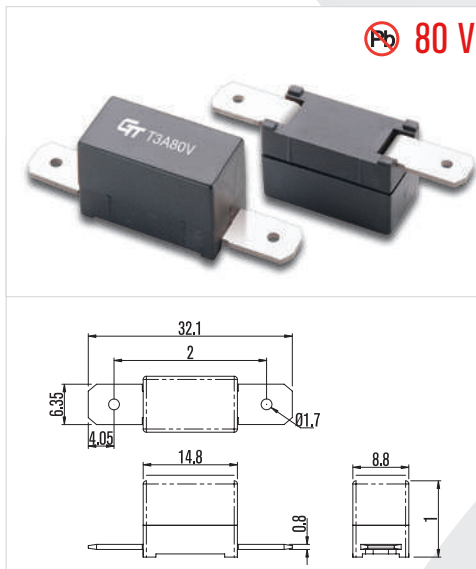


► 551 - 6.35 x 0.8 mm.



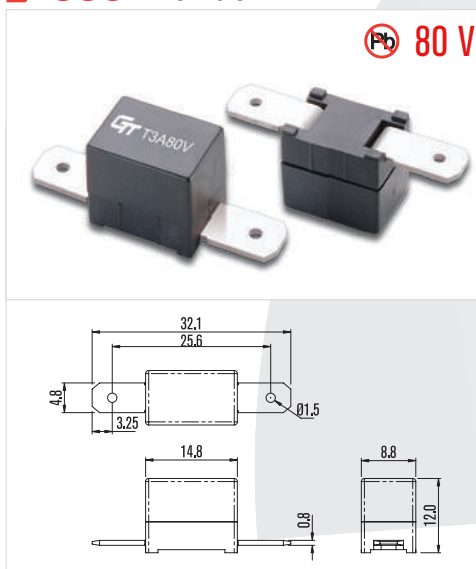
Art.	A		Art.	A	
03.551.500-0	500 mA	5/50	03.551.5-0	5A	5/50
03.551.630-0	630 mA	5/50	03.551.6-0	6A	5/50
03.551.800-0	800 mA	5/50	03.551.6.3-0	6.3A	5/50
03.551.1-0	1A	5/50	03.551.8-0	8A	5/50
03.551.1.25-0	1.25A	5/50	03.551.10-0	10A	5/50
03.551.1.6-0	1.6A	5/50	03.551.12-0	12A	5/50
03.551.2-0	2A	5/50	03.551.15-0	15A	5/50
03.551.2.5-0	2.5A	5/50	03.551.20-0	20A	5/50
03.551.3-0	3A	5/50	03.551.25-0	25A	5/50
03.551.3.15-0	3.15A	5/50	03.551.30-0	30A	5/50
03.551.4-0	4A	5/50	03.551.40-0	40A	5/50

► 552 - 6.35 x 0.8 mm.



Art.	A		Art.	A	
03.552.500-0	500 mA	5/50	03.552.3.15-0	3.15A	5/50
03.552.630-0	630 mA	5/50	03.552.4-0	4A	5/50
03.552.800-0	800 mA	5/50	03.552.5-0	5A	5/50
03.552.1-0	1A	5/50	03.552.6-0	6A	5/50
03.552.1.25-0	1.25A	5/50	03.552.6.3-0	6.3A	5/50
03.552.1.6-0	1.6A	5/50	03.552.8-0	8A	5/50
03.552.2-0	2A	5/50	03.552.10-0	10A	5/50
03.552.2.5-0	2.5A	5/50	03.552.12-0	12A	5/50
03.552.3-0	3A	5/50	03.552.15-0	15A	5/50

► 553 - 4.8 x 0.8 mm



Art.	A		Art.	A	
03.553.500-0	500 mA	5/50	03.553.3.15-0	3.15A	5/50
03.553.630-0	630 mA	5/50	03.553.4-0	4A	5/50
03.553.800-0	800 mA	5/50	03.553.5-0	5A	5/50
03.553.1-0	1A	5/50	03.553.6-0	6A	5/50
03.553.1.25-0	1.25A	5/50	03.553.6.3-0	6.3A	5/50
03.553.1.6-0	1.6A	5/50	03.553.8-0	8A	5/50
03.553.2-0	2A	5/50	03.553.10-0	10A	5/50
03.553.2.5-0	2.5A	5/50	03.553.12-0	12A	5/50
03.553.3-0	3A	5/50	03.553.15-0	15A	5/50





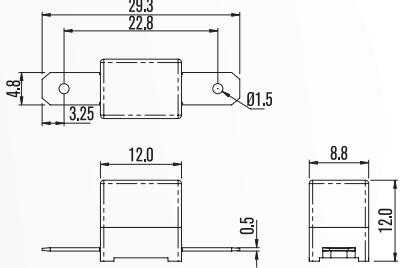
AUTO






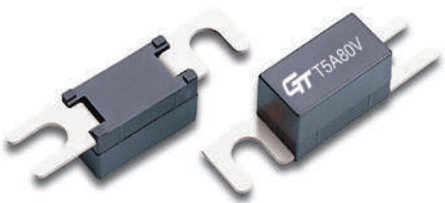
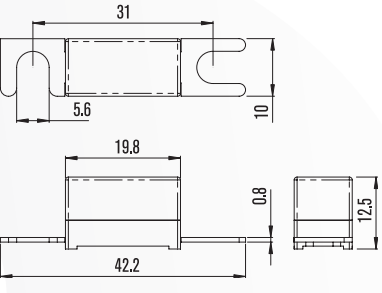
EZfus - IEC60127/UL248 Fusión lenta

Fusion lente / Slow Blow / Fusione lenta / Langsamer Schlag / Lentos / Fusió lenta

► 554 - 4.8 x 0.5 mm.

 80 V		Art.	A		Art.	A	
 		03.554.500-0	500 mA	5/50	03.554.3.15-0	3.15A	5/50
		03.554.630-0	630 mA	5/50	03.554.4-0	4A	5/50
		03.554.800-0	800 mA	5/50	03.554.5-0	5A	5/50
		03.554.1-0	1A	5/50	03.554.6-0	6A	5/50
		03.554.1.25-0	1.25A	5/50	03.554.6.3-0	6.3A	5/50
		03.554.1.6-0	1.6A	5/50	03.554.8-0	8A	5/50
		03.554.2-0	2A	5/50	03.554.10-0	10A	5/50
		03.554.2.5-0	2.5A	5/50	03.554.12-0	12A	5/50
		03.554.3-0	3A	5/50	03.554.15-0	15A	5/50

► 555

 80 V		Art.	A		Art.	A	
 		03.555.800-0	800 mA	5/50	03.555.12-0	12A	5/50
		03.555.1-0	1A	5/50	03.555.15-0	15A	5/50
		03.555.1.25-0	1.25A	5/50	03.555.16-0	16A	5/50
		03.555.1.6-0	1.6A	5/50	03.555.20-0	20A	5/50
		03.555.2-0	2A	5/50	03.555.25-0	25A	5/50
		03.555.2.5-0	2.5A	5/50	03.555.30-0	30A	5/50
		03.555.3.15-0	3.15A	5/50	03.555.35-0	35A	5/50
		03.555.4-0	4A	5/50	03.555.40-0	40A	5/50
		03.555.5-0	5A	5/50	03.555.50-0	50A	5/50
		03.555.6.3-0	6.3A	5/50	03.555.60-0	60A	5/50
03.555.7-0	7A	5/50	03.555.70-0	70A	5/50		
03.555.8-0	8A	5/50	03.555.80-0	80A	5/50		
03.555.10-0	10A	5/50	03.555.100-0	100A	5/50		

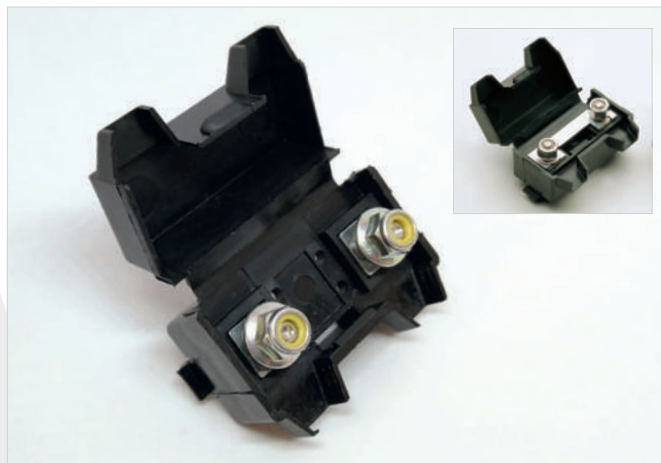
AUTO



Para / Pour / For / Per / Für / Para / Per a: 03.20 / 03.21 / 03.22 / 03.23

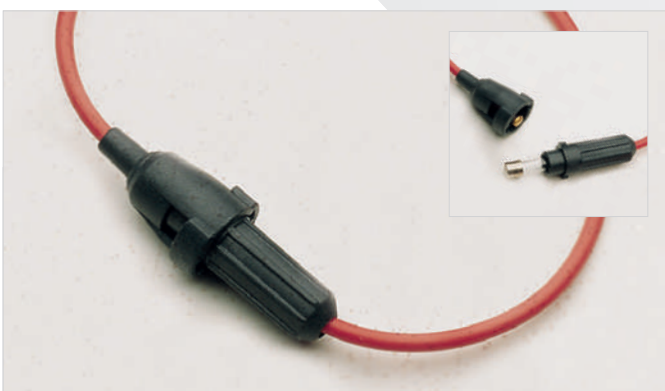


Art. **M** 
 03.108-0 PA 66 5/50

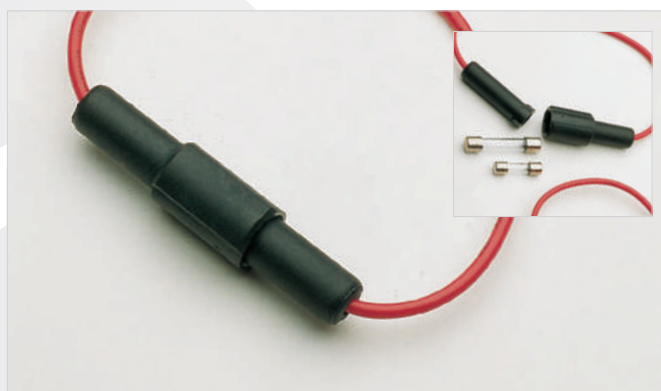


Art. **M** 
 03.109-0 PA 66 5/50

Para / Pour / For / Per / Für / Para / Per a: 5x20



Art.  **M** **IP** 
 03.100-0 0,75 PA 94 V0 50 25/250



Art.  **M** **IP** 
 03.103-0 0,50 PA 94 V0 50 25/250



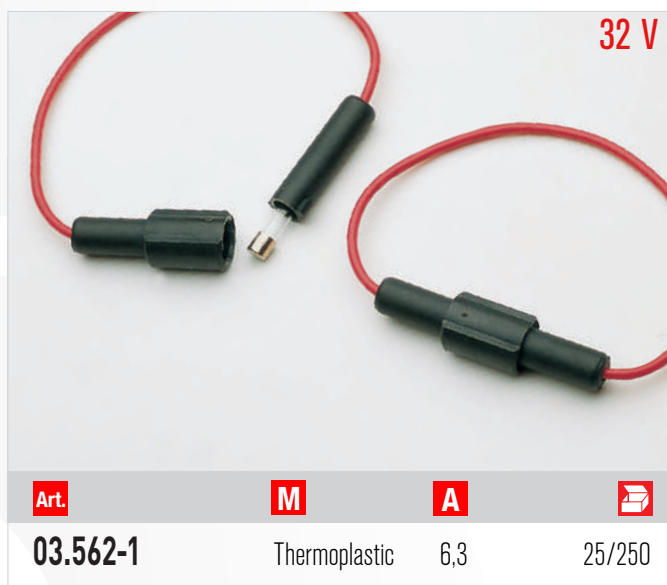
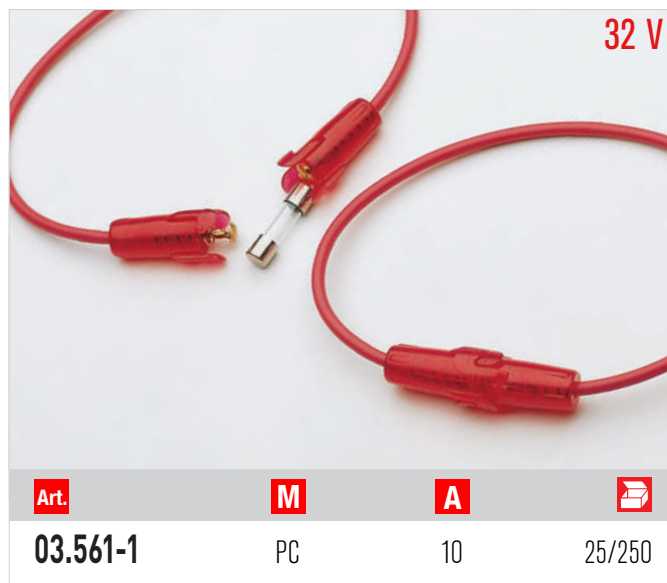
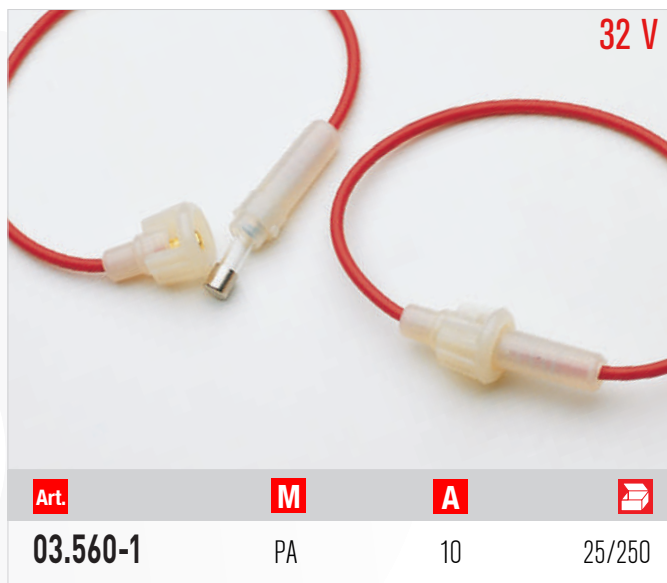
Art. **M** 
 03.107-0 HP-2061 5/50

! Los portafusibles no incluyen el fusible a excepción de los indicados con el símbolo / Fuseholders do not include the fuse except those indicated by the symbol / I portafusibili non includono il fusibile tranne quelli indicati dal simbolo / Die Sicherungshalter enthalten nur die mit dem Symbol gekennzeichneten Sicherungen / Os porta-fusíveis não incluem o fusível, exceto aqueles indicados pelo símbolo / Els portafusibles no inclouen el fusible a excepció dels indicats amb el símbol





Para / Pour / For / Per / Für / Para / Per a: 5x20



AUTO

! Los portafusibles no incluyen el fusible a excepción de los indicados con el símbolo / Fuseholders do not include the fuse except those indicated by the symbol / portafusibili non includono il fusibile tranne quelli indicati dal simbolo / Die Sicherungshalter enthalten nur die mit dem Symbol gekennzeichneten Sicherungen / Os porta-fusíveis não incluem o fusível, exceto aqueles indicados pelo símbolo / Els portafusibles no inclouen el fusible a excepció dels indicats amb el símbol





Para / Pour / For / Per / Für / Para / Per a: 03.30 / 03.32 / 03.56



F 1x 03.30.08-0



F 1x 03.30.08-0

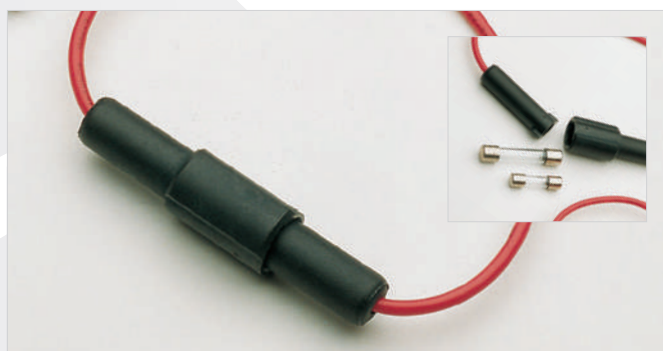
Art.	M	
03.104-0	HP-2061	25/250

Art.	M	
03.106-0	HP-2061	25/250

Para / Pour / For / Per / Für / Para / Per a: 03.35

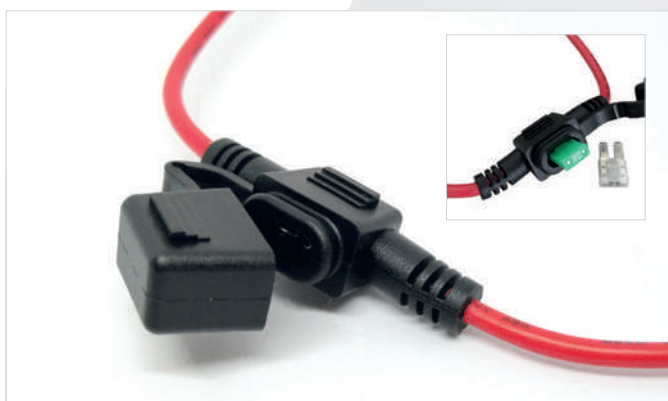


Art.		M	IP	
03.101-0	2,50	PC	50	25/250
03.102-0	2,50	PC	50	25/250



Art.		M	IP	
03.103-0	2,50	PA 94 V0	50	25/250

Para / Pour / For / Per / Für / Para / Per a: 03.49



Art.		M	IP	
03.149-0	2,50	PVC	67	25/250



Los portafusibles no incluyen el fusible a excepción de los indicados con el símbolo / Fuseholders do not include the fuse except those indicated by the symbol / I portafusibili non includono il fusibile tranne quelli indicati dal simbolo / Die Sicherungshalter enthalten nur die mit dem Symbol gekennzeichneten Sicherungen / Os porta-fusíveis não incluem o fusível, exceto aqueles indicados pelo símbolo / Els portafusibles no inclouen el fusible a excepció dels indicats amb el símbol





Para / Pour / For / Per / Für / Para / Per a: 03.493



33.1069C-0

Art.	mm	M	
03.1069-0	1,50	PA	25/250
03.1069/2-0	4,00	PA	25/250

Para / Pour / For / Per / Für / Para / Per a: 03.47



Art.	mm	M	IP	
03.4712-0	3,31	PA	66	25/250
03.4714-0*	1,31	PA	66	25/250
03.4718-0*	0,823	PA	66	25/250
03.4720-0*	0,519	PA	66	25/250



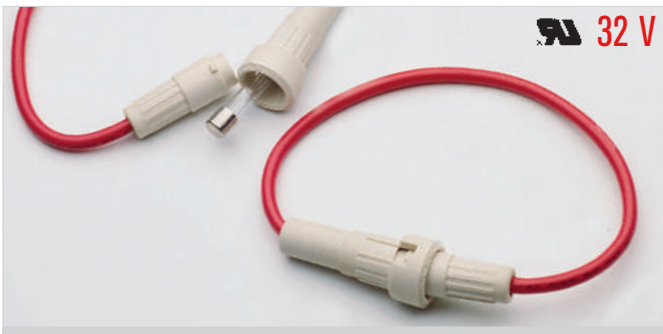
Art.	V	M	
03.1995LP-L	10	PBT	1



Para / Pour / For / Per / Für / Para / Per a: 6,3x30 y 6,3x32



AUTO



32 V

Art. M A

03.570-1 ABS 20 25/250



32 V

Art. M A

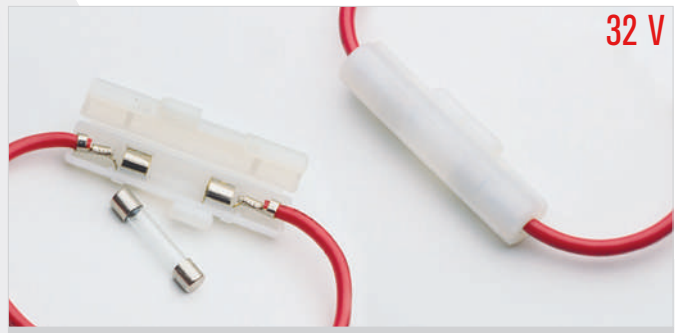
03.571-1 PP 10 25/250



32 V

Art. M A

03.572-1 PA 30 25/250



32 V

Art. M A

03.573-1 PA 20 25/250



32 V

Art. M A

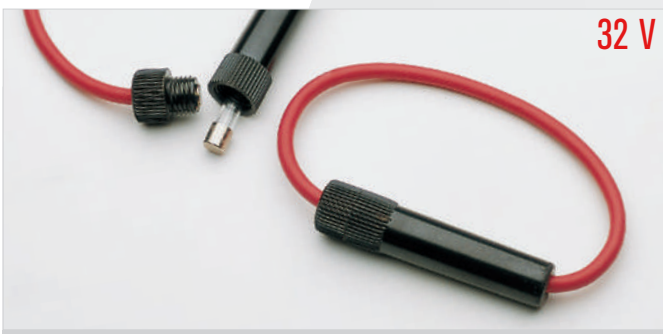
03.574-1 PP 5 25/250



32 V

Art. M A

03.576-1 PA 40 25/250



32 V

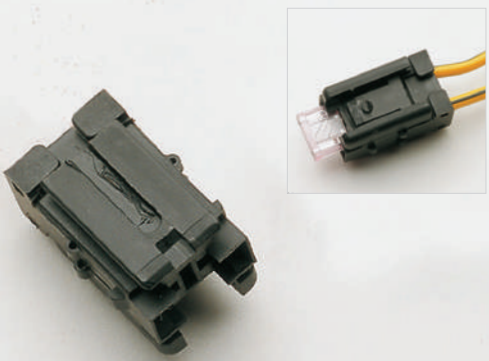
Art. M A

03.578-1 HP-2061 20 25/250




Portafusibles / Porte-fusibles / Fuseholders / Portafusibili / Sicherungshalter / Porta-fusíveis / Portafusibles

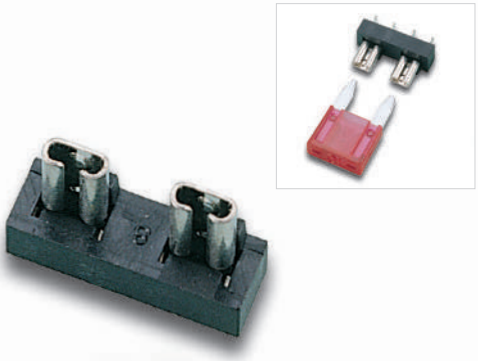
Para / Pour / For / Per / Für / Para / Per a: 03.45

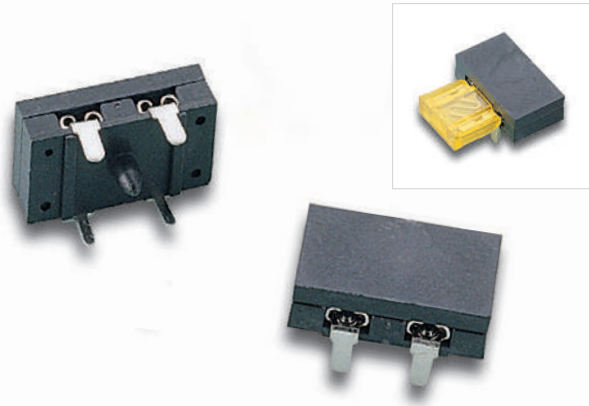
Art.	M	
03.110-0	PA 66	25/250



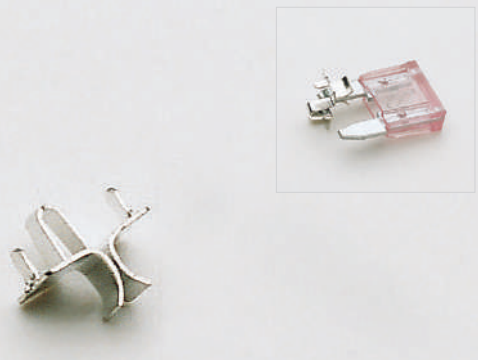
Art.		M	IP	
03.111B-0	4,00	PVC	67	5/50




Art.	M	
03.1101-0	Thermoplastic	100/1000



Art.	M	
03.1102-0	Thermoplastic	100/1000



Art.	M	
03.141-0	Sn CuSn6	100/1000

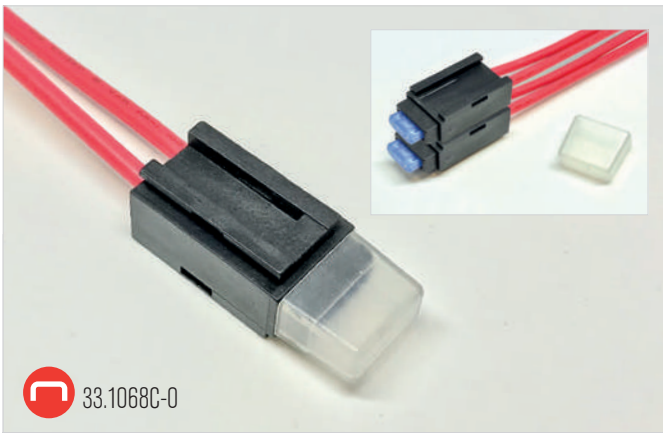


Art.	M	
03.143-0	Sn CuSn6	100/1000

AUTO



Para / Pour / For / Per / Für / Para / Per a: 03.45



33.1068C-0

Art.	mm	M		
03.1068-0	1,50	PA		25/250
03.1068/2-0	4,00	PA		25/250

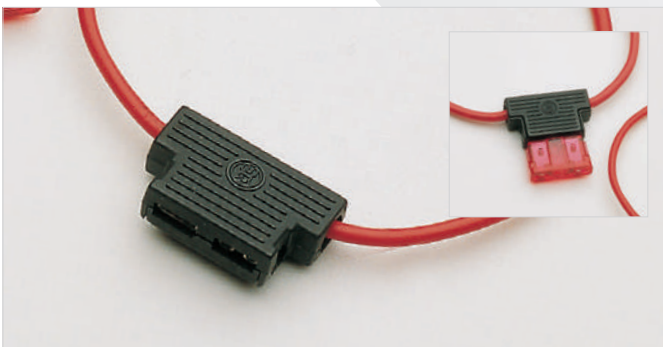


LED

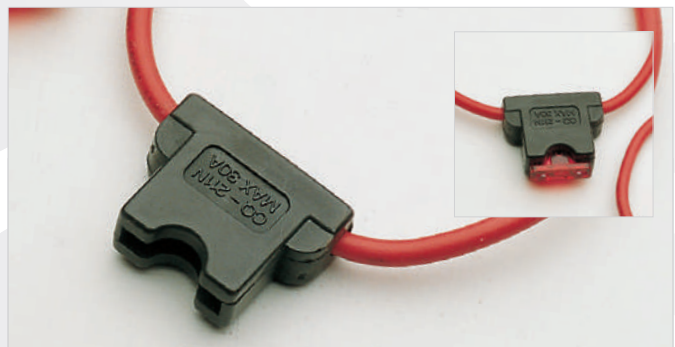


Art.	V	M	
03.1995MI-L	10	PBT	1

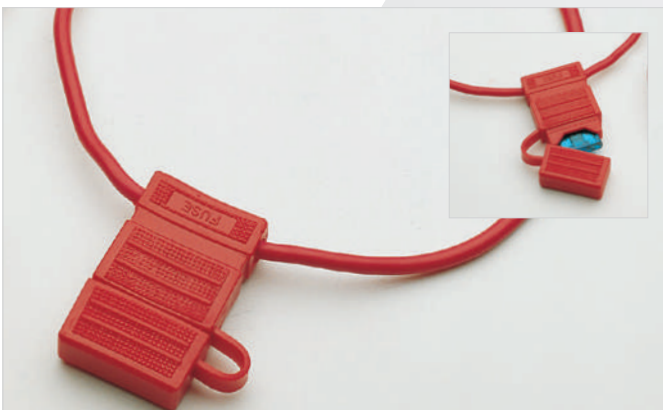
Para / Pour / For / Per / Für / Para / Per a: 03.40



Art.	mm	M	IP	
03.112-0	4,00	PA	50	25/250
03.139-0	4,00	PA	50	25/250



Art.	mm	M	
03.113-0	4,00	PA	25/250



Art.	mm	M	IP	
03.114-0	4,00	PVC	67	25/250

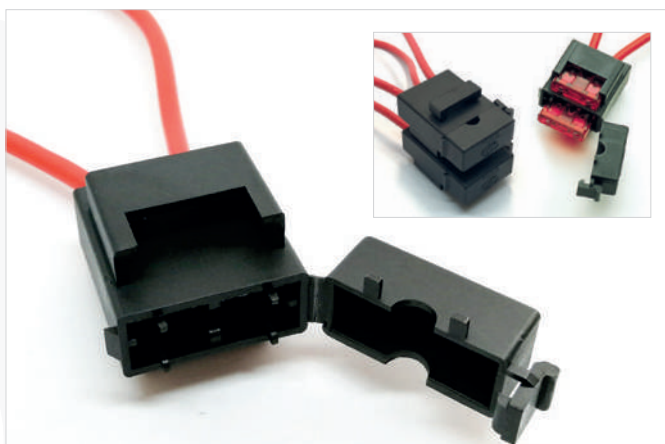


Art.	mm	M	IP	
03.114B-0	4,00	PVC	67	25/250
03.114B-0-6	6,00	PVC	67	25/250
03.114B-16	1,50	PVC	67	25/250

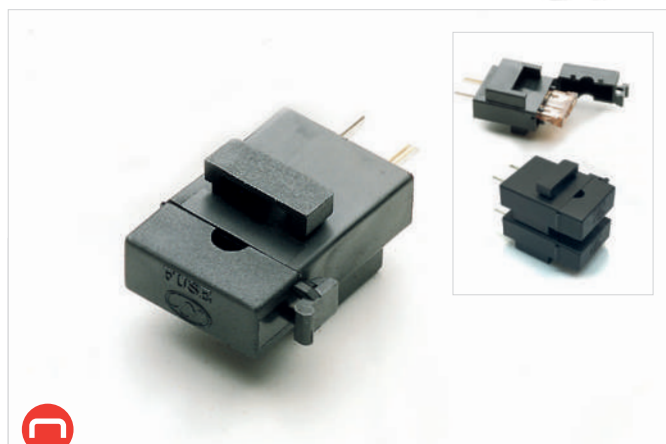
AUTO



Para / Pour / For / Per / Für / Para / Per a: 03.40












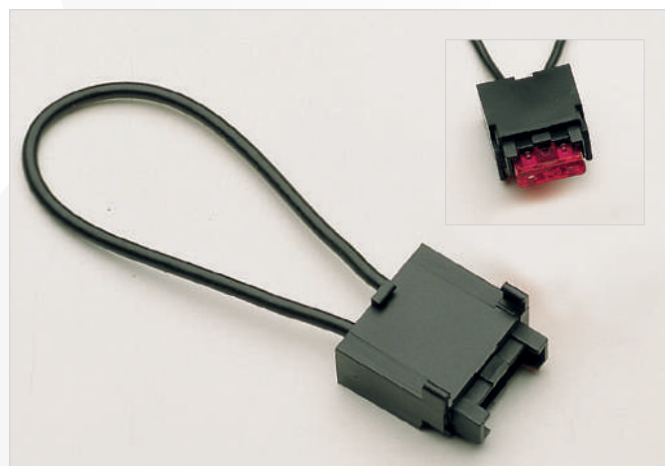
Art.  **M** 
03.115-0 2,50 PA 25/250





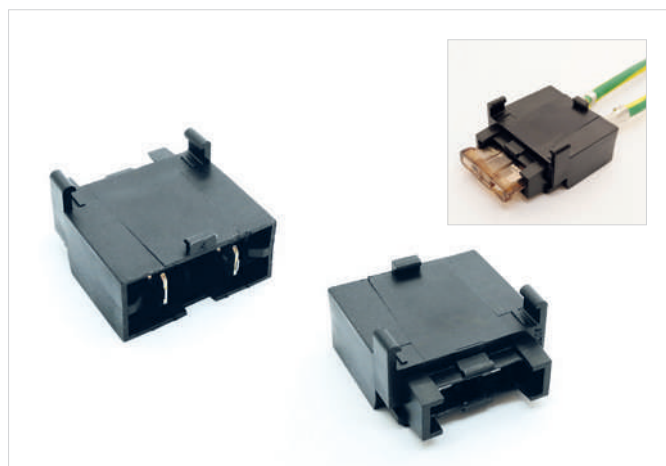
 Art. **M** 
03.116-0 PA 25/250



Art.	A	M	
 03.126-0-NG*	1	PA 66	25/250
 03.126-0-BE*	5	PA 66	25/250
 03.126-0-MA*	7,5	PA 66	25/250
 03.126-0-RO*	10	PA 66	25/250
 03.126-0-AZ*	15	PA 66	25/250
 03.126-0	20	PA 66	25/250
 03.126-0-NT*	25	PA 66	25/250
 03.126-0-VE*	30	PA 66	25/250



Art.  **M** 
03.127-0 1,50 PA 66 25/250



Art. **M** 
03.128-0 PA 66 25/250

AUTO



Para / Pour / For / Per / Für / Para / Per a: 03.40



Sin terminales / Sans cotes / Sense terminals / Without terminals
Senza terminali / Sem terminais.

Art. **M**

03.129-0 PA 66 25/250

Art. **M**

03.130-0 PA 66 25/250

Art. **M**

03.131-0 PA 66 25/250

Art. **M**

03.132-0 PA 66 25/250

33.05539-0

Art. **M**

03.133-0 PA 66 25/250

33.05526-0


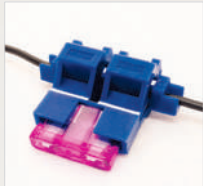
Art. **M**

03.134-0 PA 66 25/250



AUTO





Para / Pour / For / Per / Für / Para / Per a: 03.40



Art.	M	
03.135-0	PA	100/1000

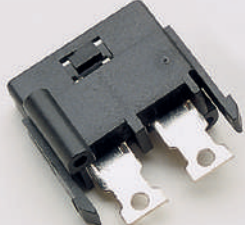

Art.	A		M	IP	
03.1905-B-0	≤30	1,50	PVC	50	25/250
03.1905-B-2	≤30	4,00	PVC	50	25/250

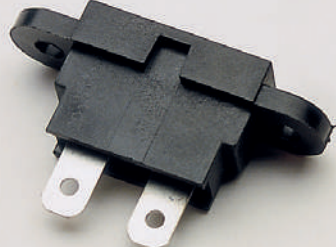

Art.	A	M	
03.1903-0	≤30	PA	10/100

Art.	A	M	
03.1904-0	≤30	PA	10/100

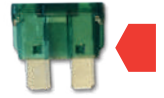
Art.	A	M	
03.1905-0	≤30	PA	10/100

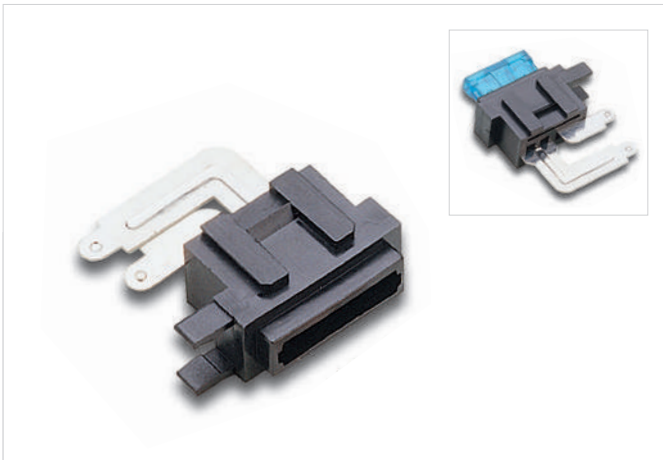
Art.	A	M	
03.1906-0	≤30	PA	10/100



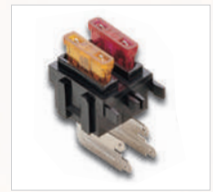
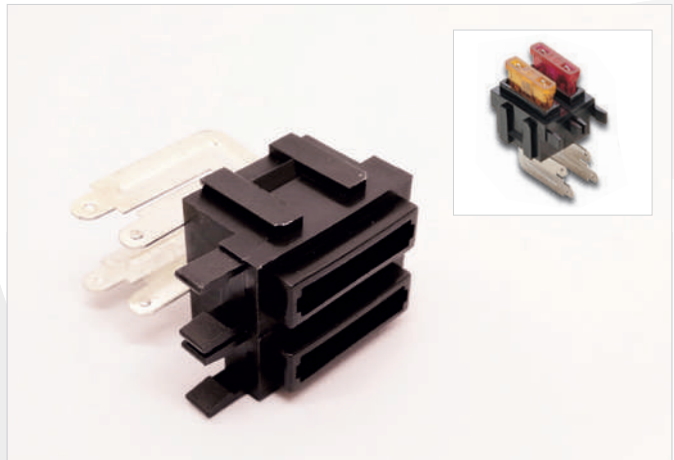
Para / Pour / For / Per / Für / Para / Per a: 03.40




AUTO



Art. **A** **M** 
03.1908-0 ≤30 PA 10/100



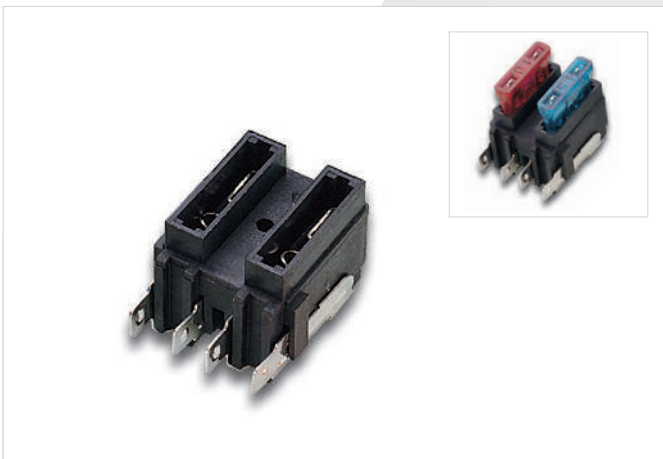
Art. **A** **M** 
03.1909-0 ≤30 PA 10/100



Art. **A** **M** 
03.1910-0 ≤30 PA 10/100



Art. **A** **M** 
03.1911-0 ≤30 PA 10/100





Art. **A** **M** 
03.1912-0 ≤30 PA 10/100



Art. **A** **M** 
03.1902-0 ≤15 Thermoplastic 10/100





Para / Pour / For / Per / Für / Para / Per a: 03.40

Art.	M	
03.142-0	Sn CuSn6	100/1000



Art.	M	
03.144-0	Sn CuSn6	100/1000


Art.	M	
03.145-0	Sn CuSn6	100/1000




LED	V	M	
Art.	10	PBT	1
03.1995UN-L			

Para / Pour / For / Per / Für / Para / Per a: 03.50






Art.		M	IP	
03.136-0	10,00	PVC	67	10/100






Art.		M	IP	
03.136-B-0	10,00	PVC	67	10/100



Para / Pour / For / Per / Für / Para / Per a: 03.50

 1x 33.21210
 1x 33.21200

Art.	M	
03.137-0	PA 66	1

Art. **M** 


03.138-0	PA 66	10/100
-----------------	-------	--------

 1x 01520900U


Art.	M	
XB-PF07	Thermoplastic	1

Para / Pour / For / Per / Für / Para / Per a: 03.55



Art. **M** 

03.108-0	PA 66	5/50
-----------------	-------	------

Art. **M** 

03.109-0	PA 66	5/50
-----------------	-------	------

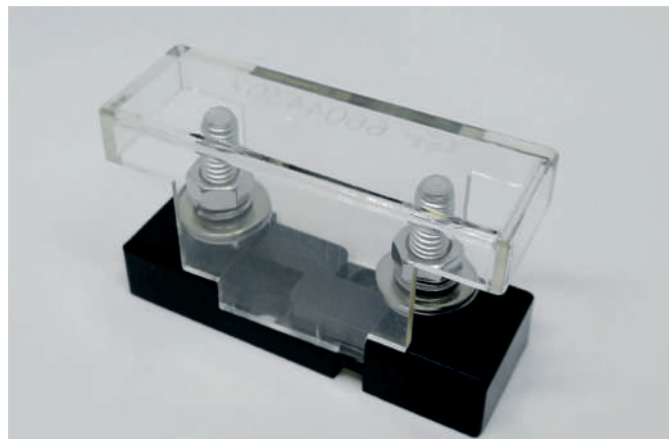
AUTO



Para / Pour / For / Per / Für / Para / Per a: 03.55



Art. **M** 
03.01392-0 HP-2061 1/10



Art. **M** 
03.00392-0 HP-2061 1/10



 Art. **M** 
03.1084-0 PA 66 10



 Art. **M** 
03.1082-0 PA 66 10



Art. **M** 
03.108P4-0 CU-ZN 10



Art. **M** 
03.108P2-0 CU-ZN 10

AUTO



Para / Pour / For / Per / Für / Para / Per a: 03.60, 03.549...



2x 25/35 mm²

2x 10/20 mm²

KIT

11.08110-32

11.08120-32

Art. M

03.00380-0 PA 66 1/10

Art. M

03.1091-0 PA 66 1/10

Art. M

03.1091S-0 PA 66 1/10

Art. M

03.01394-0 HP-2061 1/10

33.01391-0

Art. M

03.00394-0 HP-2061 1/10

AUTO



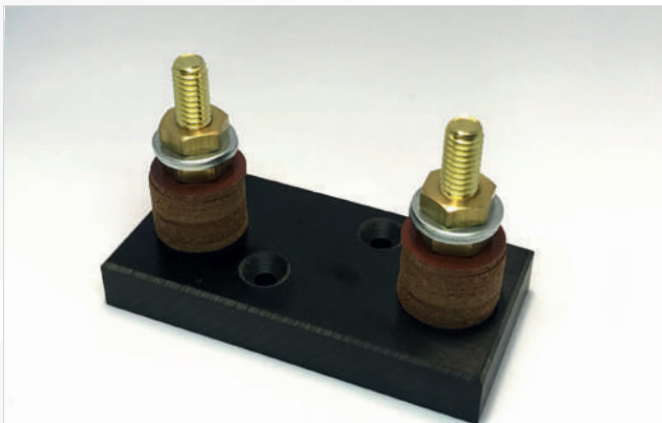
Para / Pour / For / Per / Für / Para / Per a: STRIP 547



Art. **M** **03.01391-0** HP-2061 1/10



33.01391-0
Art. **M** **03.00391-0** HP-2061 1/10

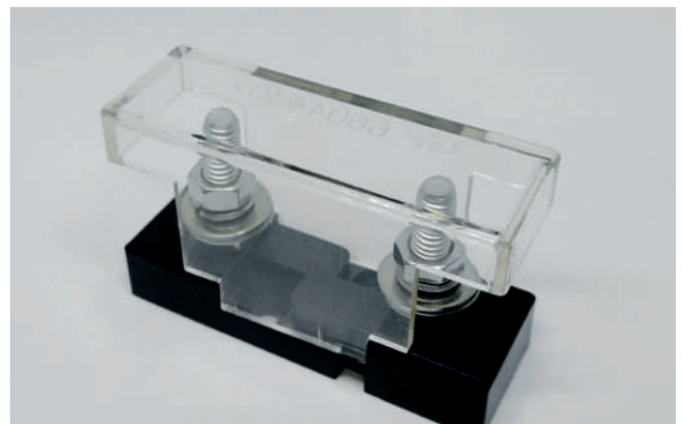


Art. **M** **03.01393-0** HP-2061 1/10

Para / Pour / For / Per / Für / Para / Per a: 03.548



Art. **M** **03.01392-0** HP-2061 1/10



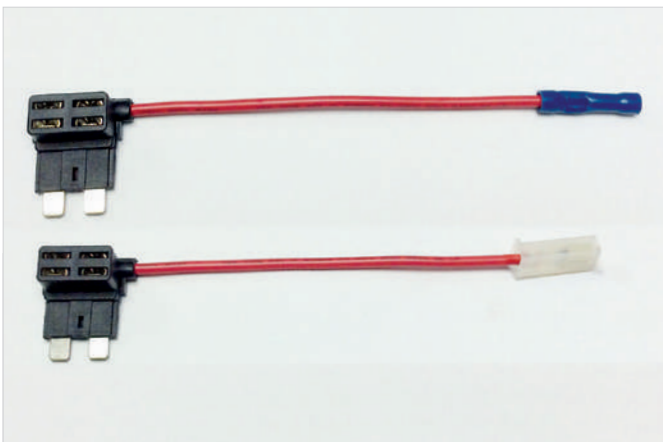
Art. **M** **03.00392-0** HP-2061 1/10



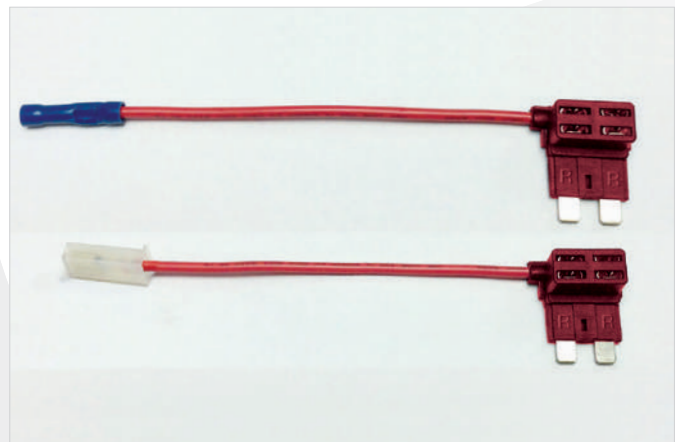
Para / Pour / For / Per / Für / Para / Per a: 03.40



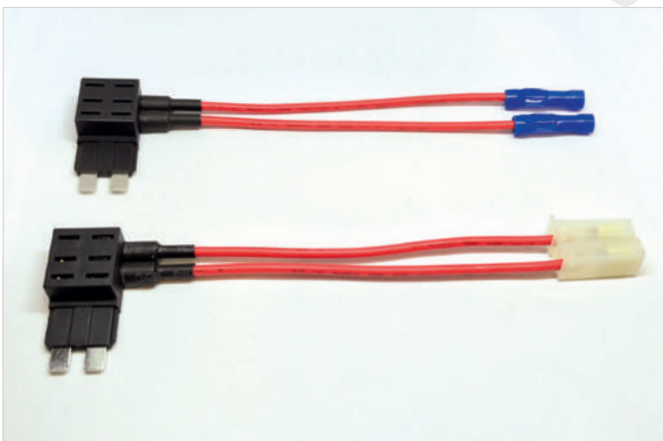
AUTO



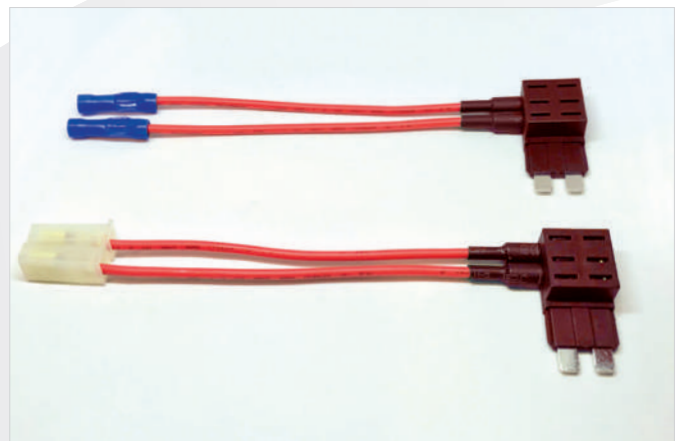
Art.	mm ²	M	C	
03.040-0	1,50	PA	EF-25023	5/25
03.040-1	1,50	PA	6,35	5/25



Art.	mm ²	M	C	
03.040-0-R*	1,50	PA	EF-25023	5/25
03.040-1-R*	1,50	PA	6,35	5/25



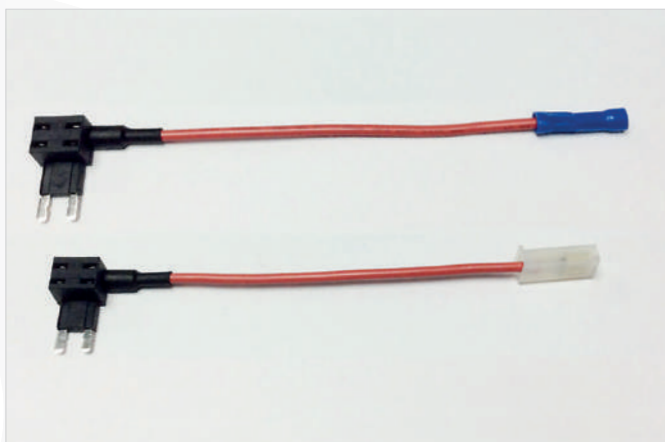
Art.	mm ²	M	C	
03.340-0	1,50	PA	EF-25023	5/25
03.340-1	1,50	PA	6,35	5/25





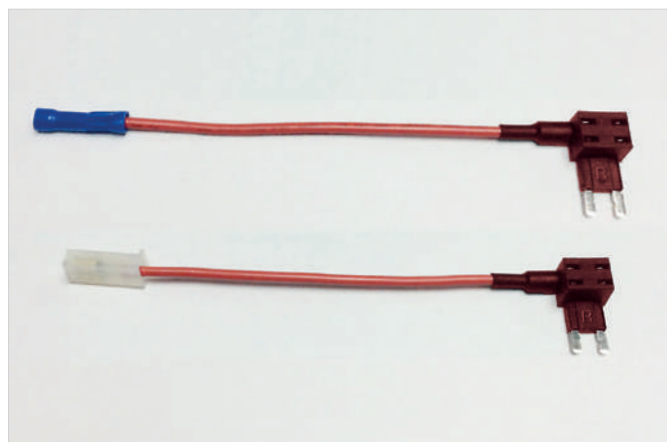
Art.	mm ²	M	C	
03.340-0-R*	1,50	PA	EF-25023	5/25
03.340-1-R*	1,50	PA	6,35	5/25





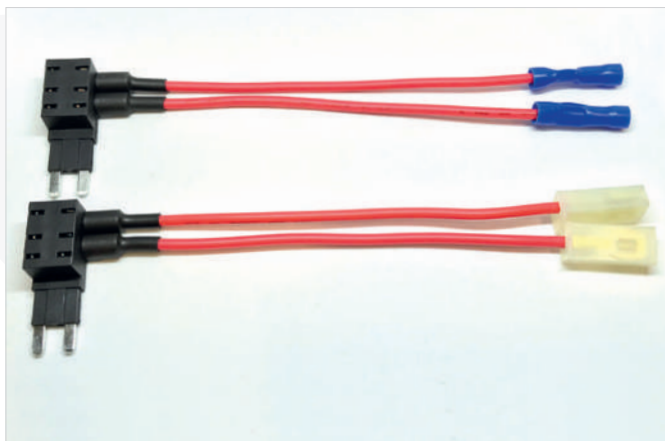
Para / Pour / For / Per / Für / Para / Per a: 03.45





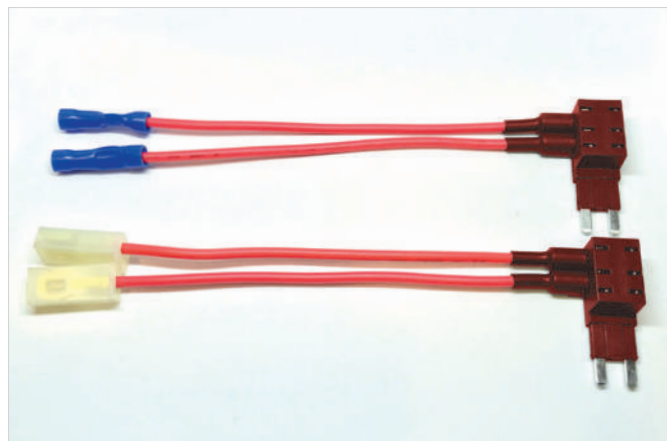
Art.	 mm ²	M	C	
03.045-0	1,50	PA	EF-25023	5/25
03.045-1	1,50	PA	6,35	5/25





Art.	 mm ²	M	C	
03.045-0-R*	1,50	PA	EF-25023	5/25
03.045-1-R*	1,50	PA	6,35	5/25



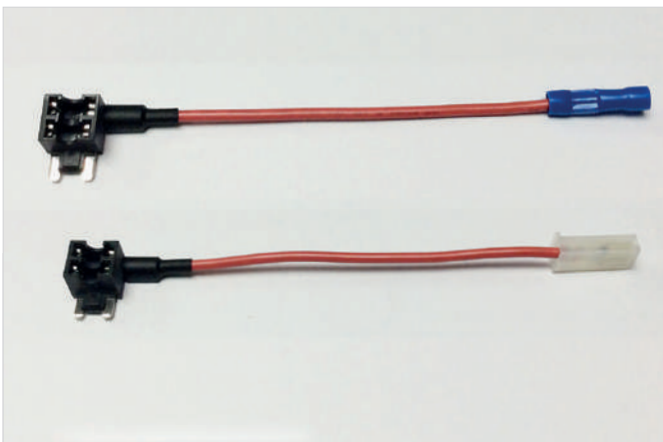
Art.	 mm ²	M	C	
03.345-0	1,50	PA	EF-25023	5/25
03.345-1	1,50	PA	6,35	5/25





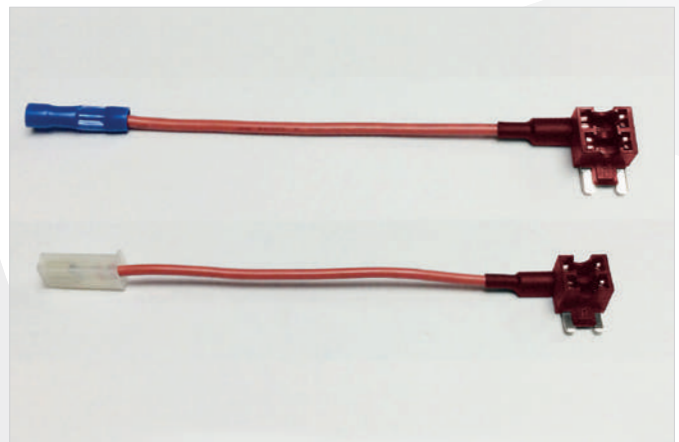
Art.	 mm ²	M	C	
03.345-0-R*	1,50	PA	EF-25023	5/25
03.345-1-R*	1,50	PA	6,35	5/25





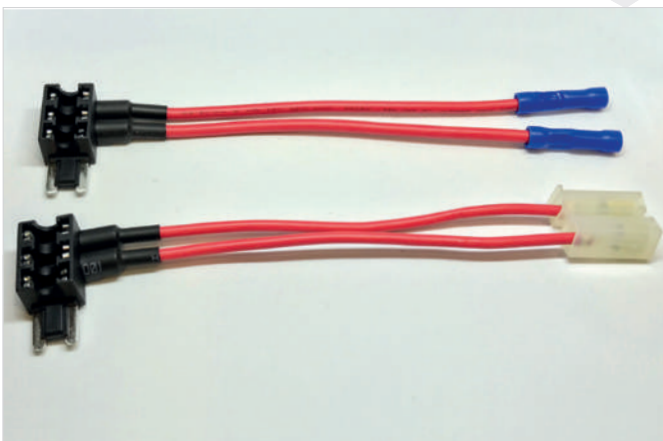
Para / Pour / For / Per / Für / Para / Per a: 03.47





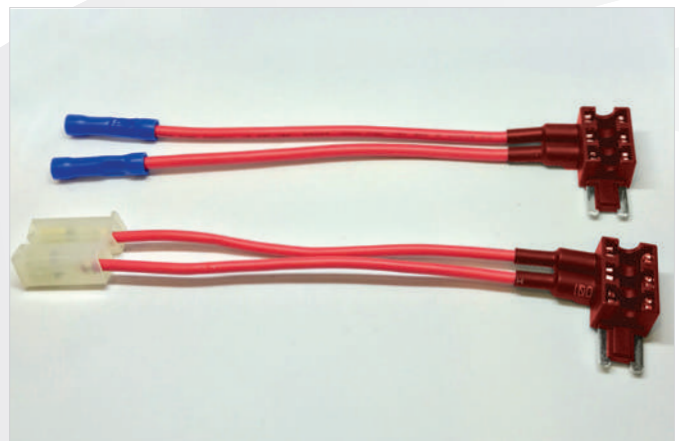
Art.	 mm	M	C	
03.047-0	1,50	PA	EF-25023	5/25
03.047-1	1,50	PA	6,35	5/25





Art.	 mm	M	C	
03.047-0-R*	1,50	PA	EF-25023	5/25
03.047-1-R*	1,50	PA	6,35	5/25



Art.	 mm	M	C	
03.347-0	1,50	PA	EF-25023	5/25
03.347-1	1,50	PA	6,35	5/25



Art.	 mm	M	C	
03.347-0-R*	1,50	PA	EF-25023	5/25
03.347-1-R*	1,50	PA	6,35	5/25

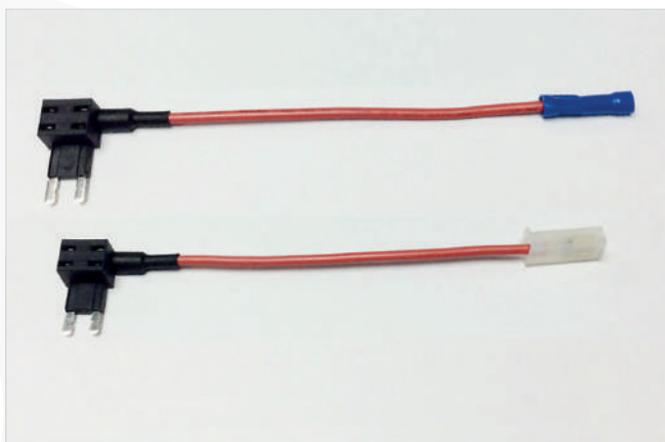
AUTO





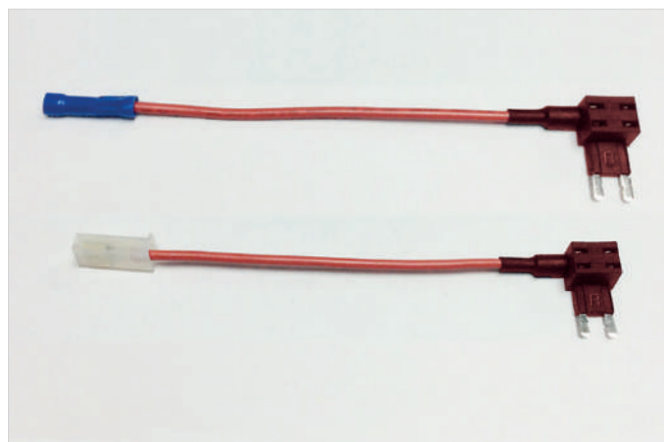
Para / Pour / For / Per / Für / Para / Per a: 03.49





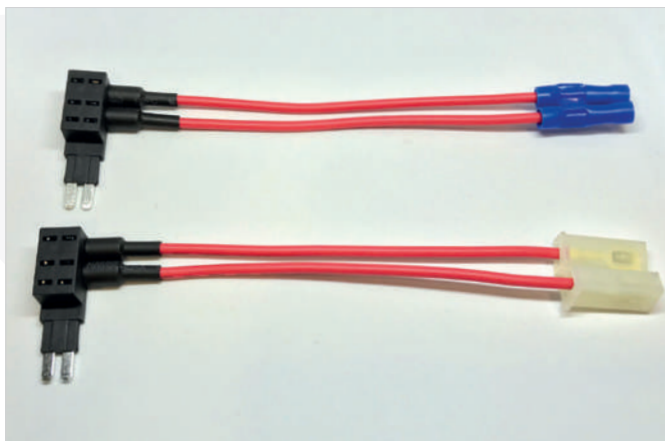
AUTO





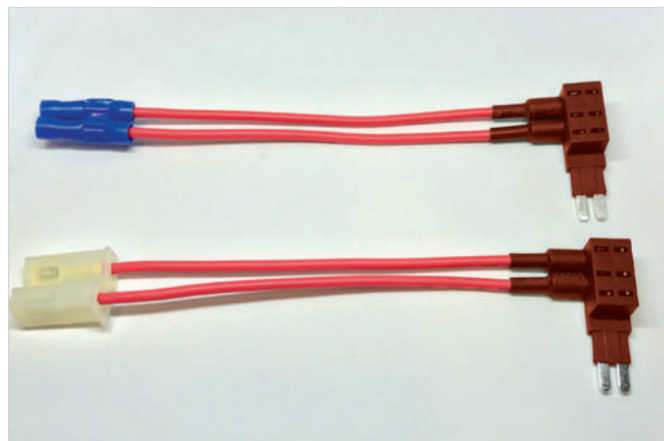
Art.	 mm²	M	T	
03.049-0	1,50	PA	EF-25023	5/25
03.049-1	1,50	PA	6,35	5/25





Art.	 mm²	M	C	
03.049-0-R*	1,50	PA	EF-25023	5/25
03.049-1-R*	1,50	PA	6,35	5/25



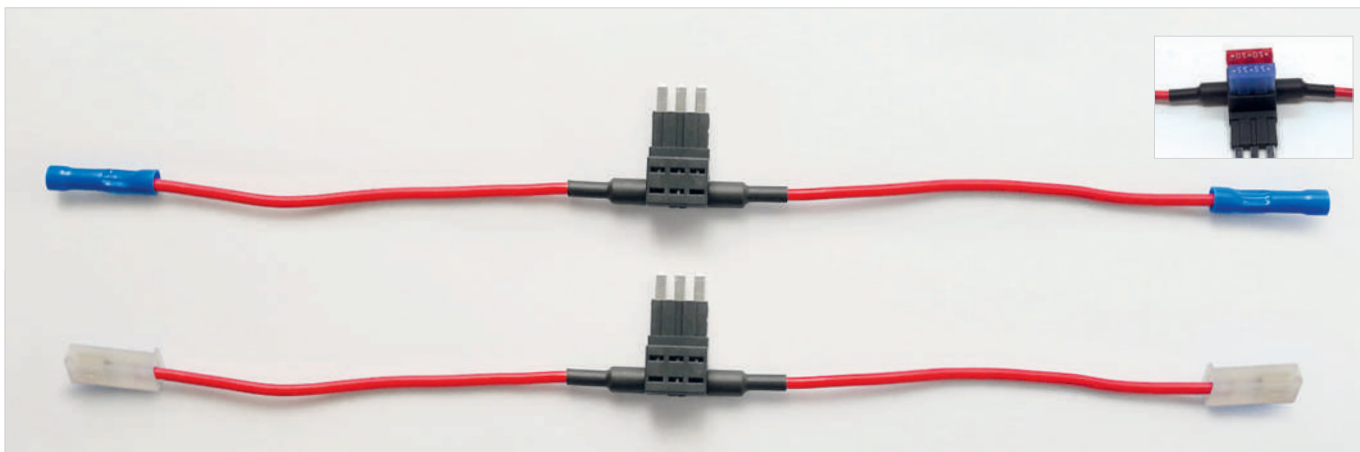
Art.	 mm²	M	T	
03.349-0	1,50	PA	EF-25023	5/25
03.349-1	1,50	PA	6,35	5/25





Art.	 mm²	M	C	
03.349-0-R*	1,50	PA	EF-25023	5/25
03.349-1-R*	1,50	PA	6,35	5/25



Para / Pour / For / Per / Für / Para / Per a: 03.493



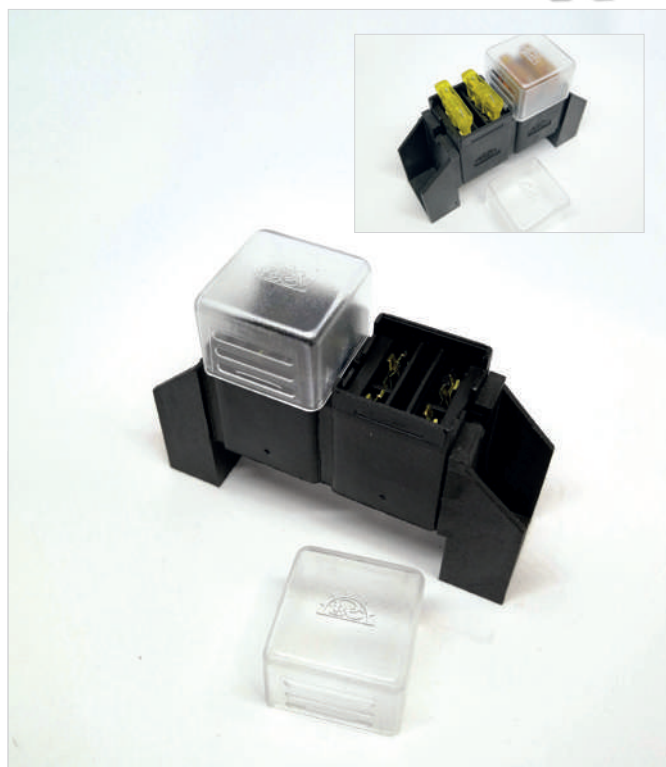
Art.	 mm	M	C	
03.3493-0	1,50	PA	EF-25023	5/25
03.3493-1	1,50	PA	6,35	5/25



Para / Pour / For / Per / Für / Para / Per a: 03.40



Art.	V	M	
BP-0910	2	PA 6	10



Art.	V	M	
BP-0911	4	PA 6	10



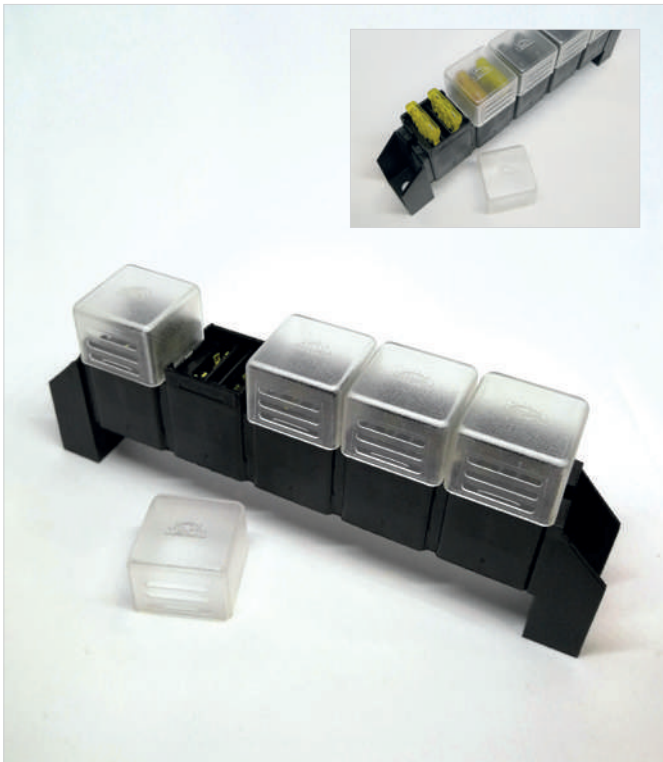
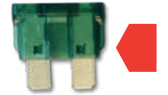
Art.	V	M	
BP-0912	6	PA 6	10



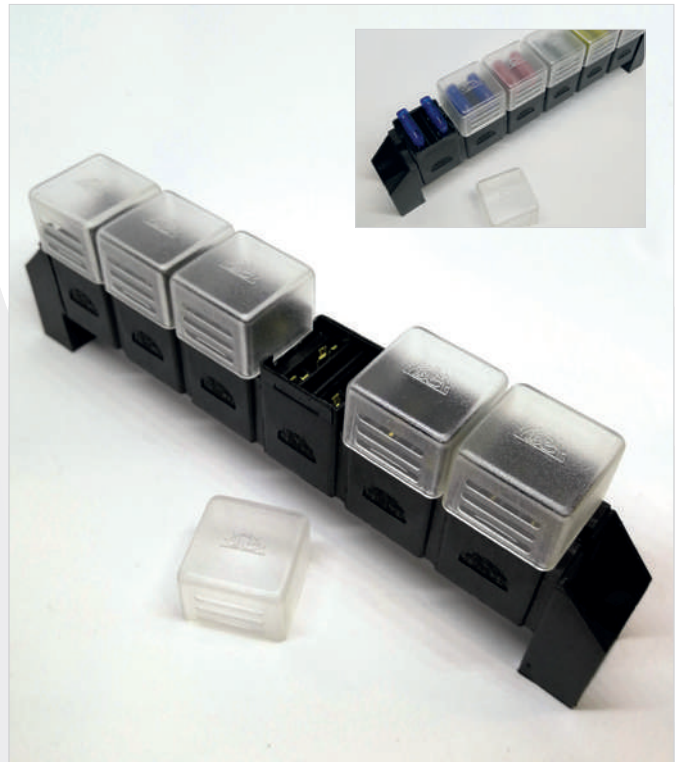
Art.	V	M	
BP-0913	8	PA 6	5



Para / Pour / For / Per / Für / Para / Per a: 03.40



Art.	V	M	
BP-0914	10	PA 6	3



Art.	V	M	
BP-0915	12	PA 6	1



Para / Pour / For / Per / Für / Para / Per a: 03.40



T 35x 03.07900-0 V 33.00670-0 M 2x 33.00690
2x 33.00691

Art. 03.117-0 V 16 M PA 66 1/10



T 16x 03.07501-0 V 33.00582-0

Art. 03.120-0 V 8 M PA 66 1/10



T 12x 03.07501-0 V 33.00562-0

Art. 03.121-0 V 6 M PA 66 1/10

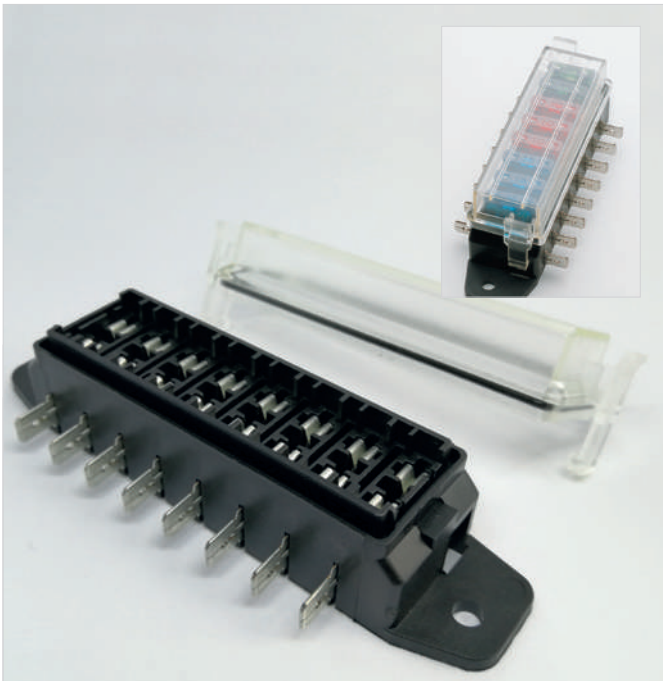


T 8x 03.07501-0 V 33.00542-0

Art. 03.122-0 V 4 M PA 66 1/10

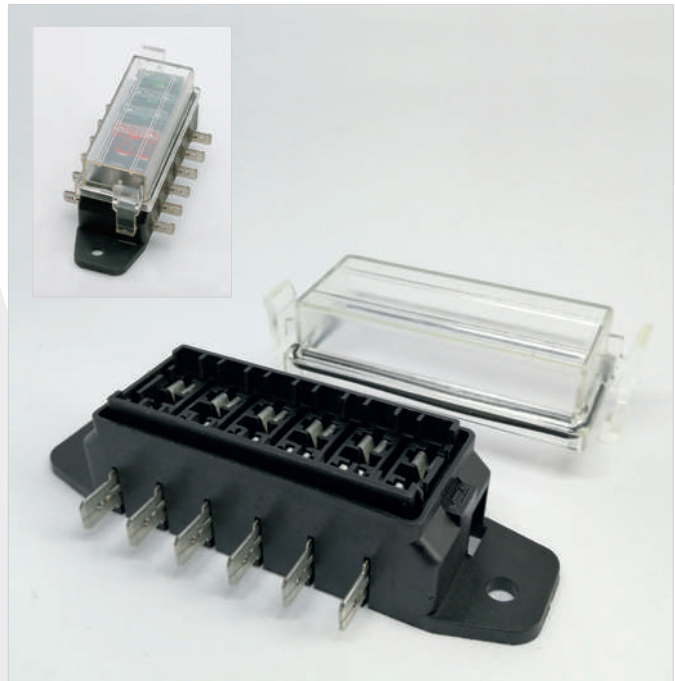



Para / Pour / For / Per / Für / Para / Per a: 03.40




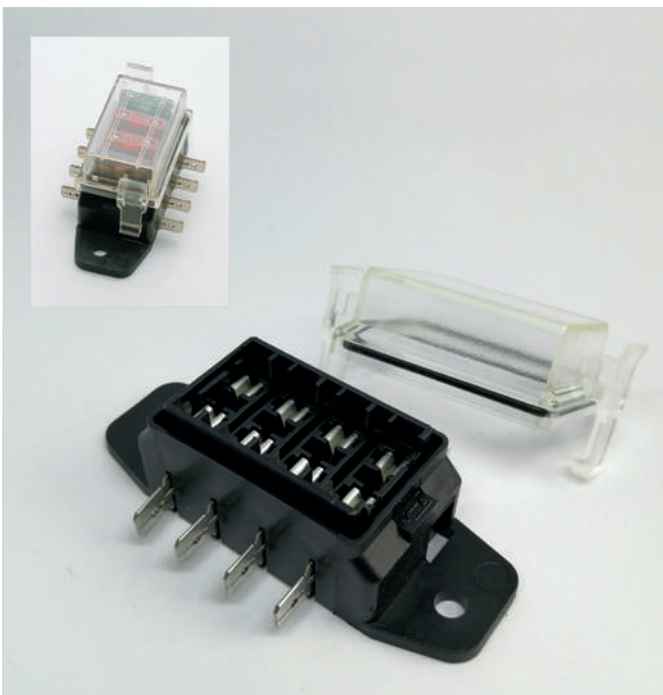
 33.00582-0

Art.	V	M	
03.123-0	8	PA 66	1/10



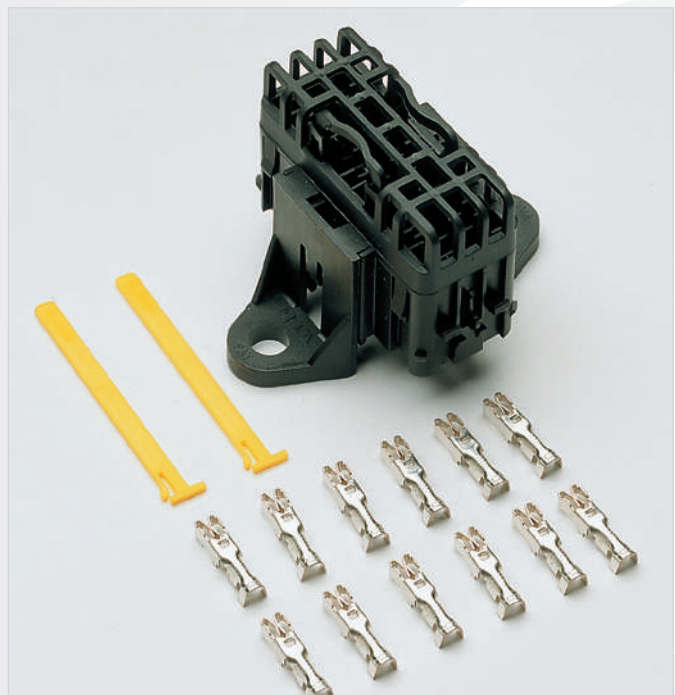
 33.00602-0

Art.	V	M	
03.124-0	6	PA 66	1/10




 33.00612-0

Art.	V	M	
03.125-0	4	PA 66	1/10



 12x 03.07900-0

Art.	V	M	
03.03000-0	6	PA 66	1/10

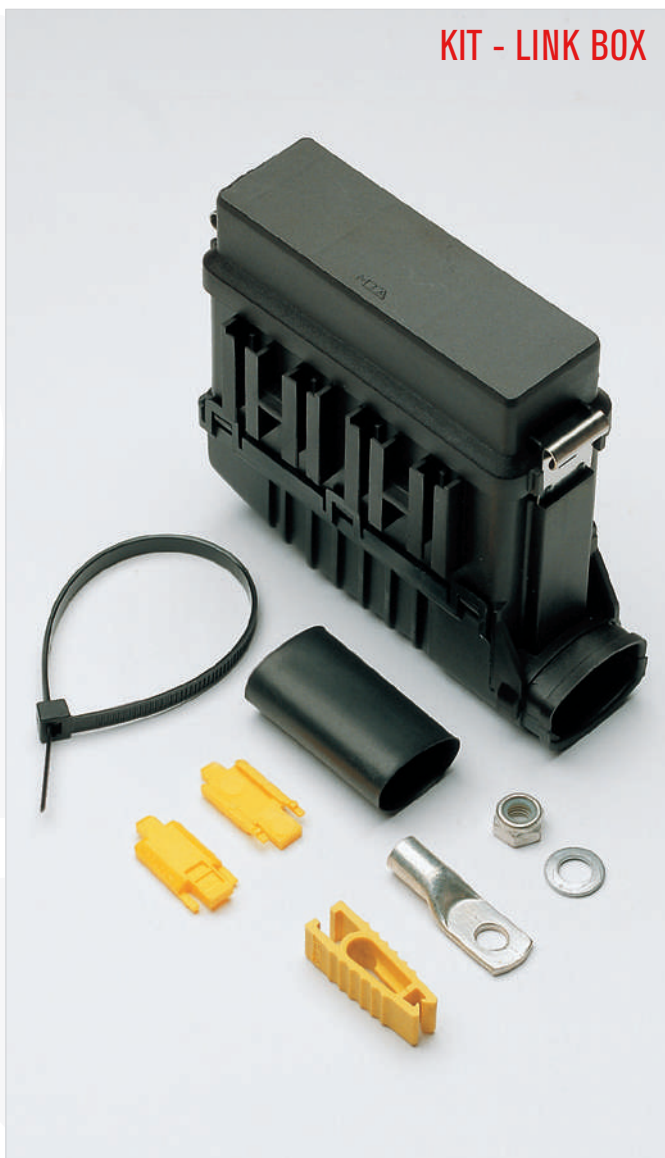
AUTO



Para / Pour / For / Per / Für / Para / Per a: 03.50

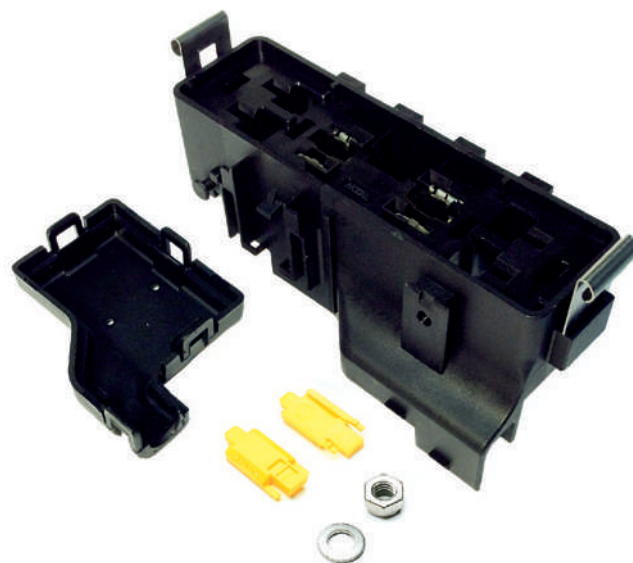


KIT - LINK BOX



Art.	V	M	
03.00500-0	4	PA 66	1/10

LINK BOX



Art.	V	M	
03.00800-0	4	PA 66	1/10

Para / Pour / For / Per / Für / Per a **03.00800-0**



03.00850-0



TD-16-6



03.202-0



44.40340

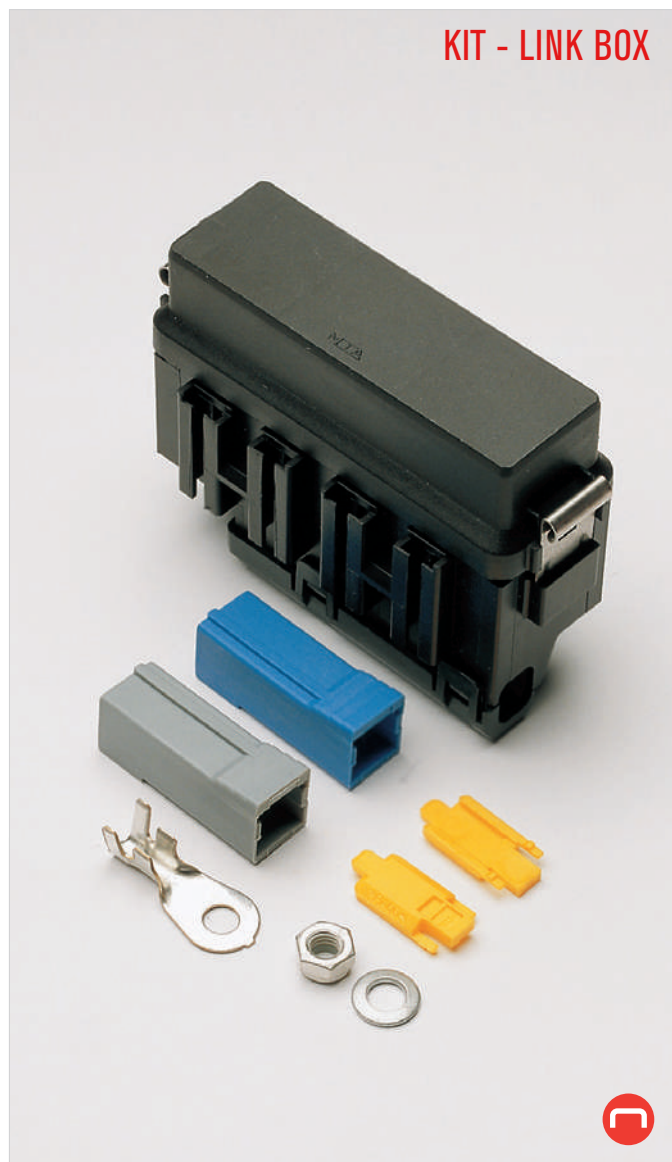


44.40310



Para / Pour / For / Per / Für / Para / Per a: 03.50

KIT - LINK BOX

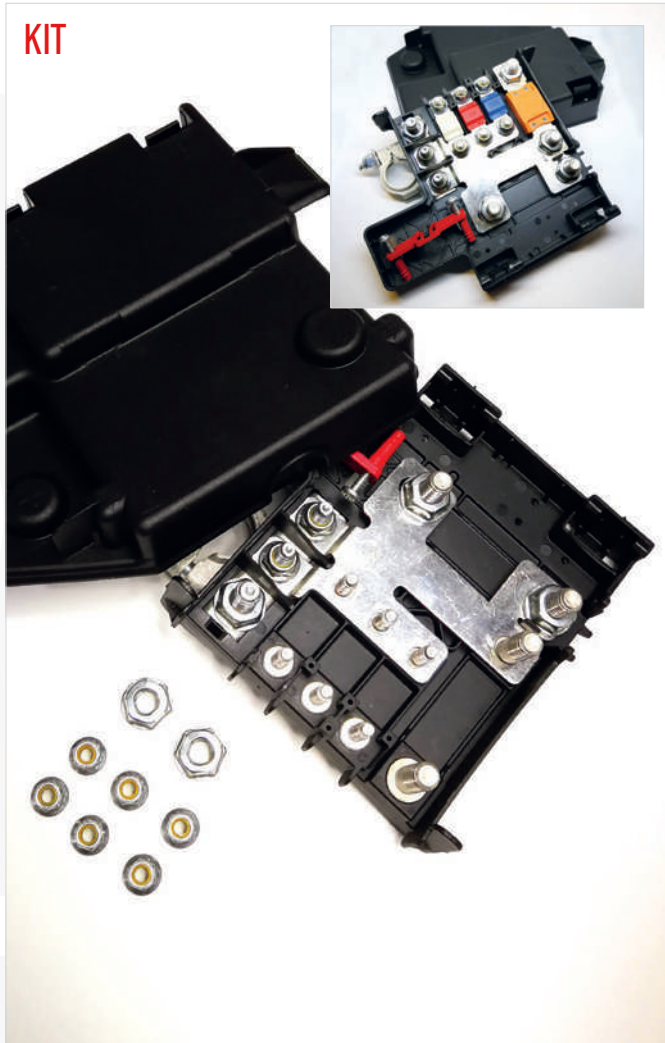


Art.	V	M	
03.00900-0	2	PA 66	1/10

AUTO



KIT

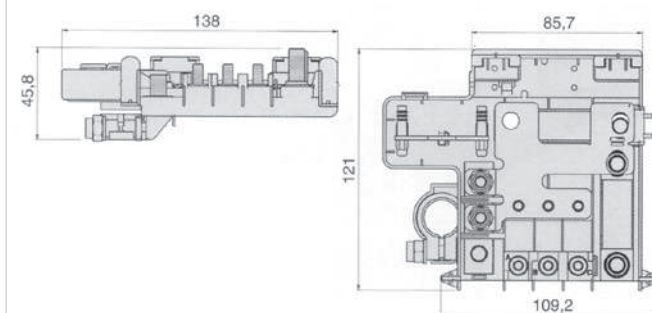
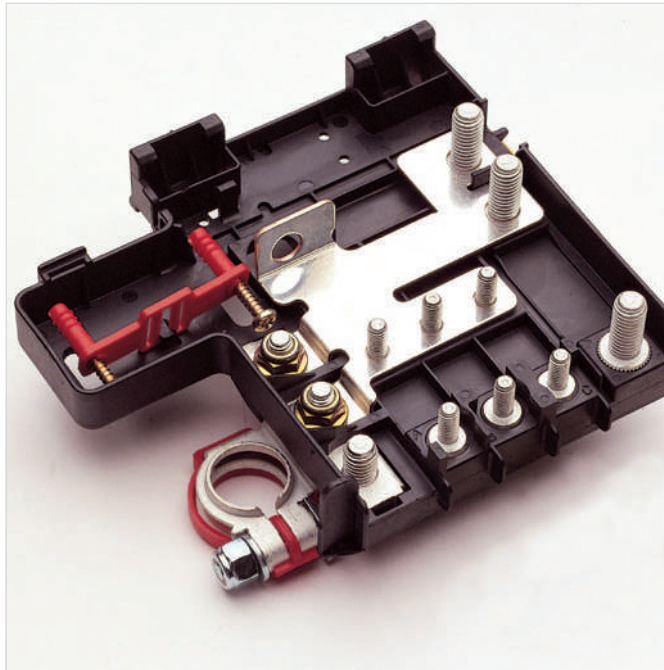


Art.

01.00750



1/10



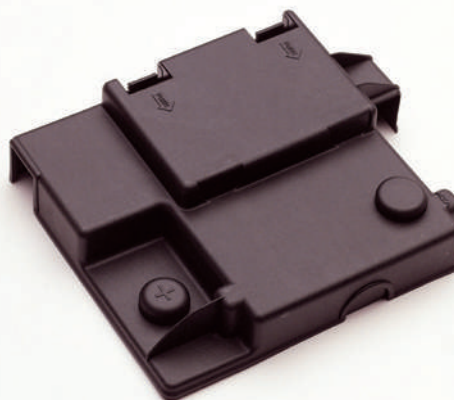
Art.

03.00750



1/10

Para / Pour / For / Per / Für / Per a **03.00750-0**



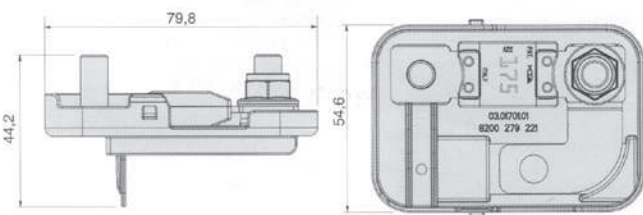
Art.

03.00799



1/10

AUTO



Art.

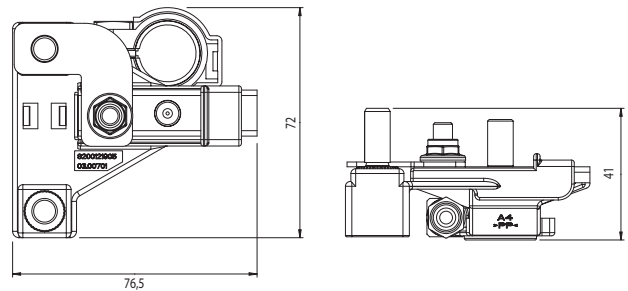
M



03.01703-0

PBT / PP

1/10



F

1x POWER 03.CAL.2-0

Art.

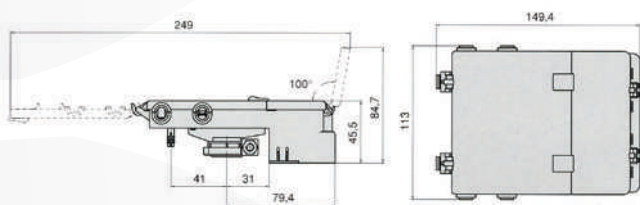
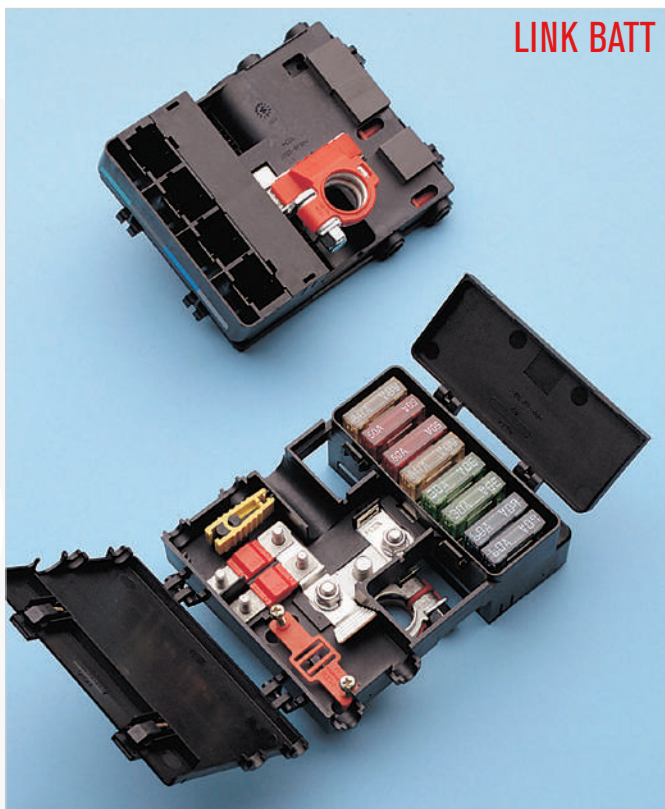
M



03.00703-0

PBT

1/10



Art.

M



03.00710-0

PP

1/10

Para / Pour / For / Per / Für / Per a **03.00710-0**



44.40310

44.40320

44.40330



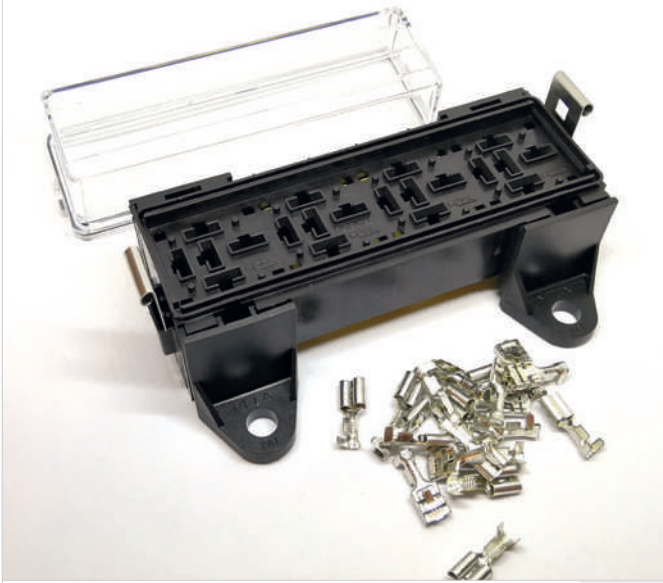
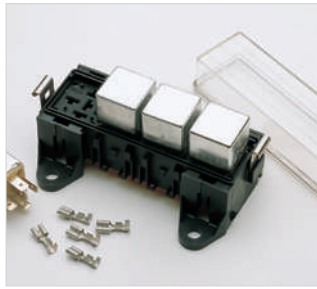
44.40340

MIDI

SQR-A



KIT



T 20x 11.01650-0 **C** 33.00670-0

Art. **M**

03.118-0 PA 66 1/10

KIT

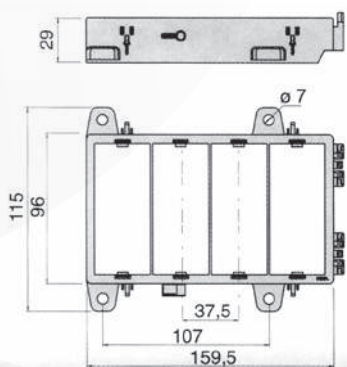
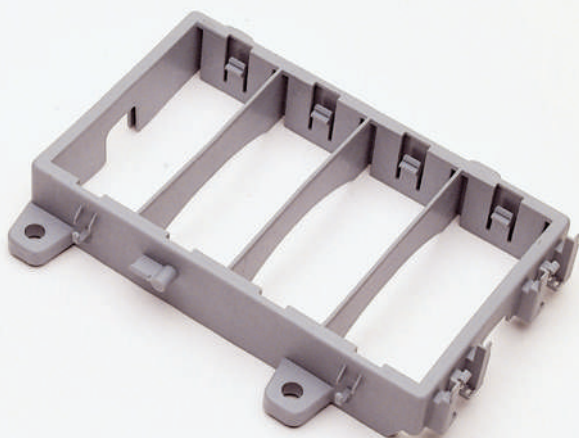


T 25x 17.01940-0 / 15x 17.01655-0 **C** 33.00670-0

Art. **M**

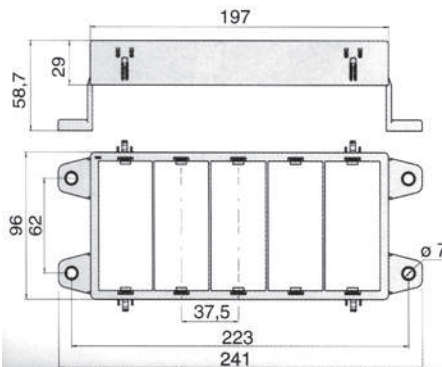
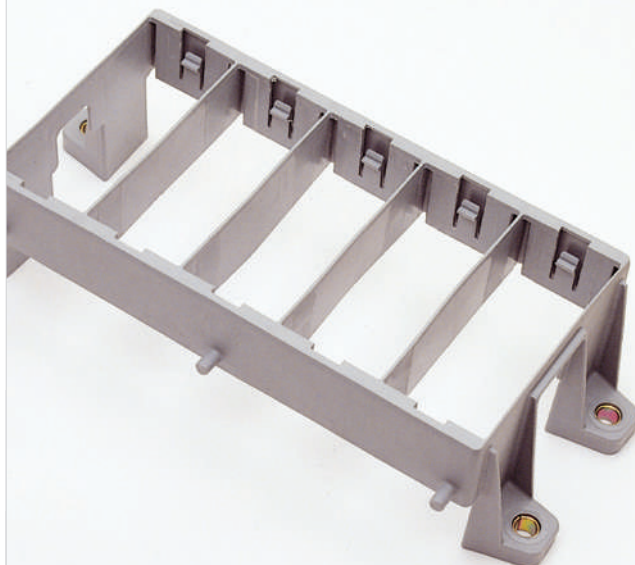
03.119-0 PA 66 1/10

AUTO



Para / Pour / For / Per / Für / Para / Per a:
03.01490-0 / 03-01500-0 / 03.01480-0 / 03.01470-0 / 03.01460-0

Art. **M** 
03.01520-0 PP 1/10



Para / Pour / For / Per / Für / Para / Per a:
03.01490-0 / 03-01500-0 / 03.01480-0 / 03.01470-0 / 03.01460-0

Art. **M** 
03.01450-0 PP 1/10

Para / Pour / For / Per / Für / Para / Per a: **03.01520-0**



Art. **M** 
03.01530-0 PP 1/10

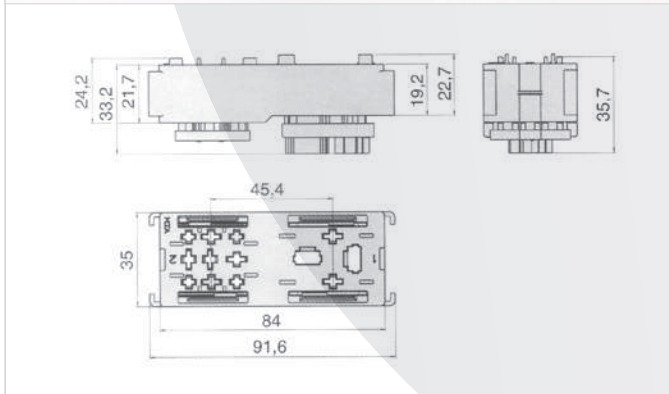
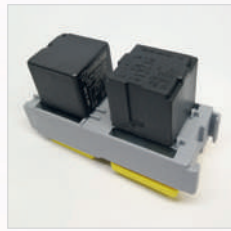
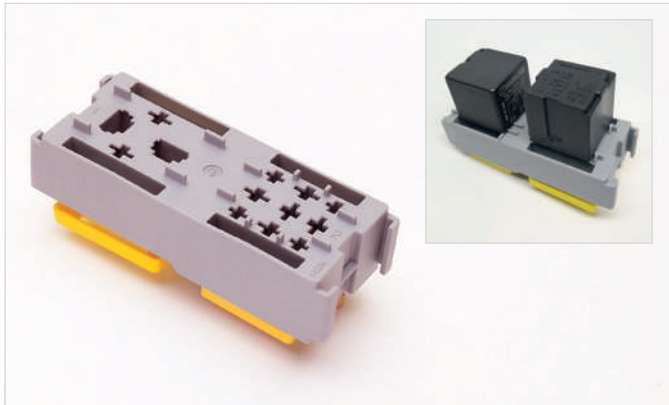
Para / Pour / For / Per / Für / Para / Per a: **03.01450-0**



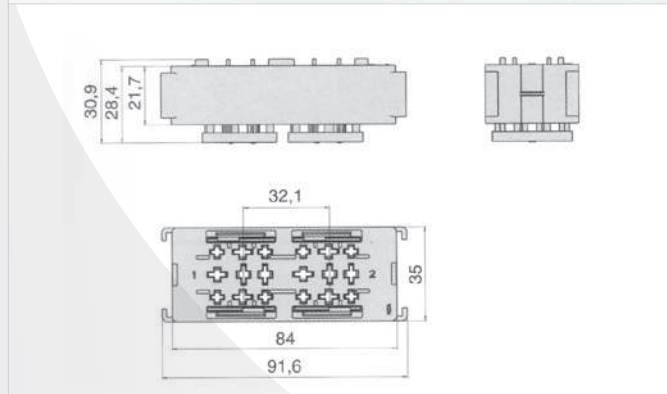
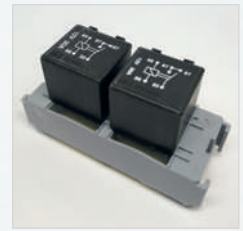
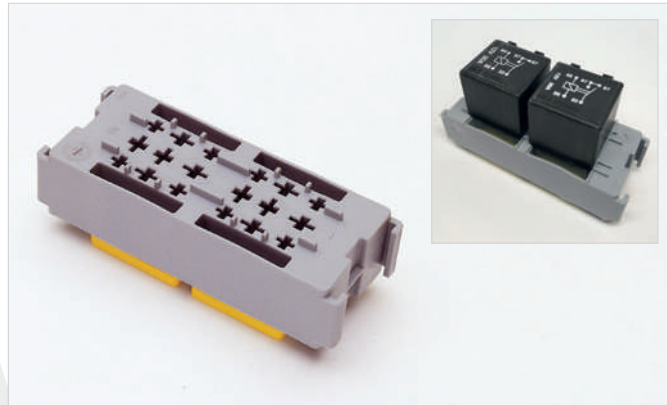
Art. **M** 
03.01540-0 PP 1/10



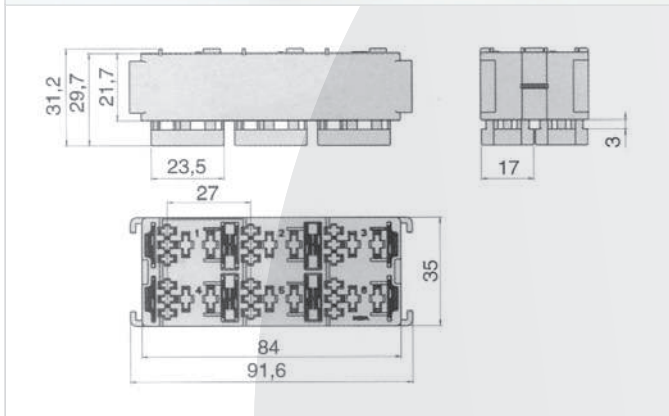
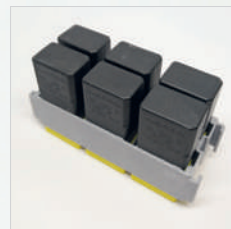
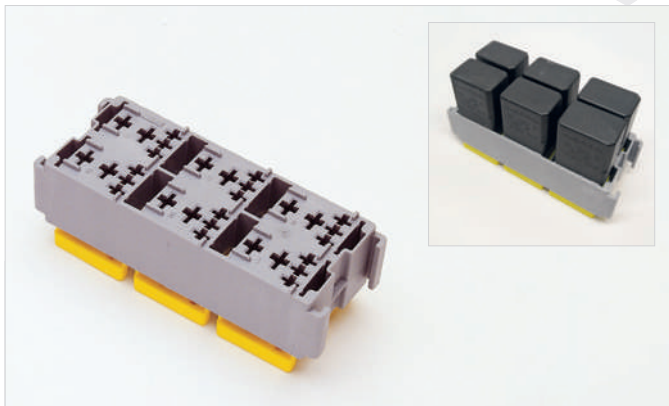
AUTO



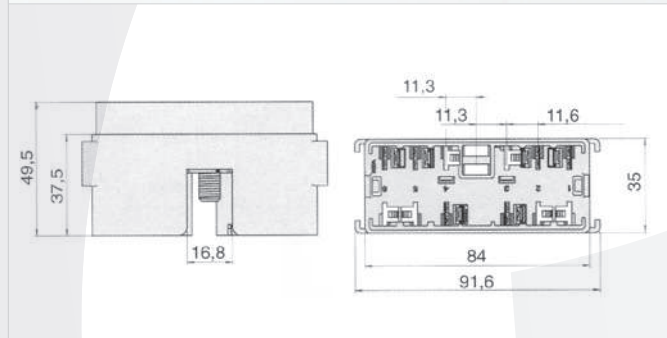
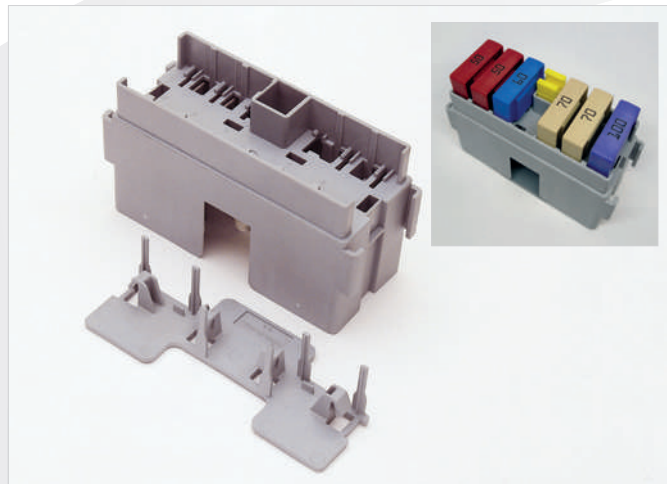
Art. **M** 
03.01490-0 PA66-M25 1/10



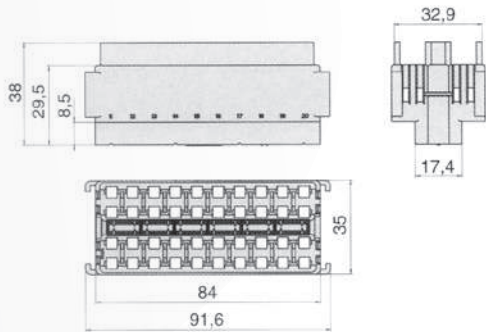
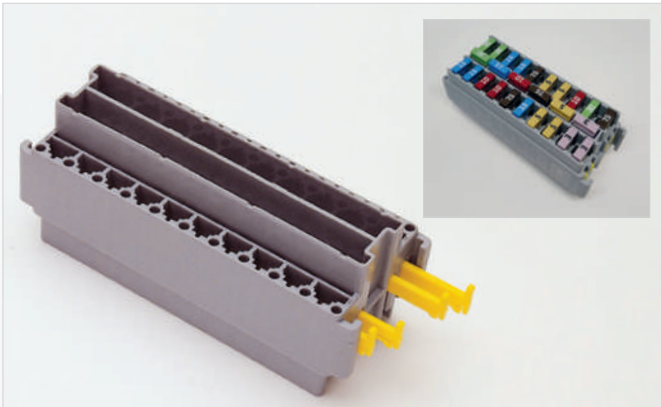
Art. **M** 
03.01500-0 PA66-M25 1/10



Art. **M** 
03.01480-0 PA66-M25 1/10



Art. **M** 
03.01470-0 PA66-M25 1/10



Art.

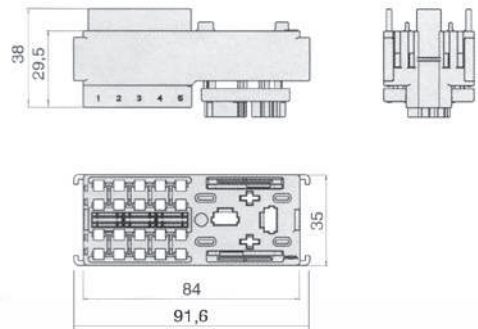
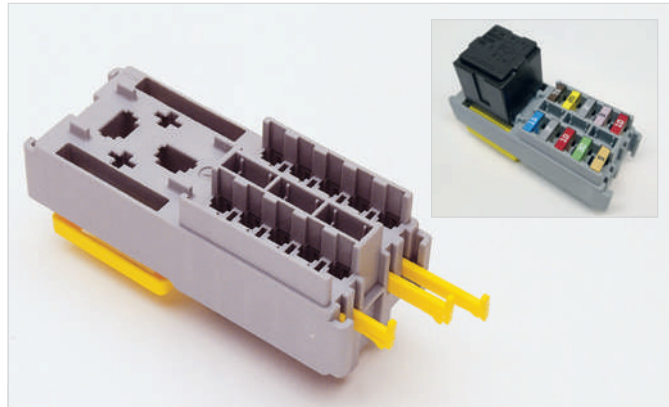
M



03.01460-0

PA66-M25

1/10



Art.

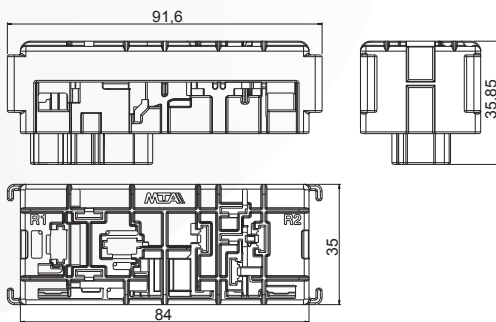
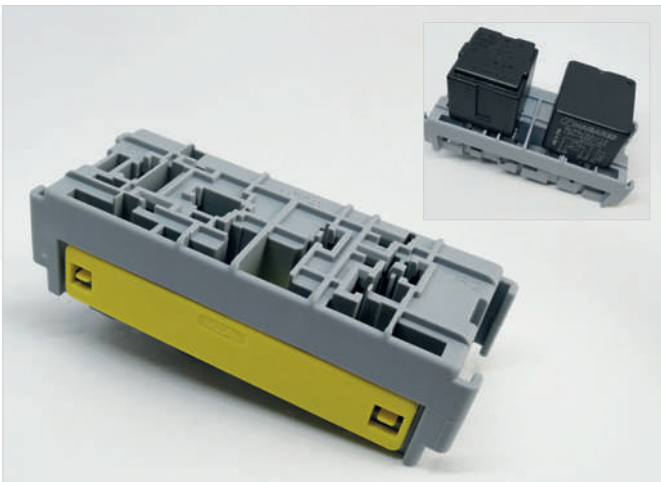
M



01.01510-0

PA66-M25

1/10



Art.

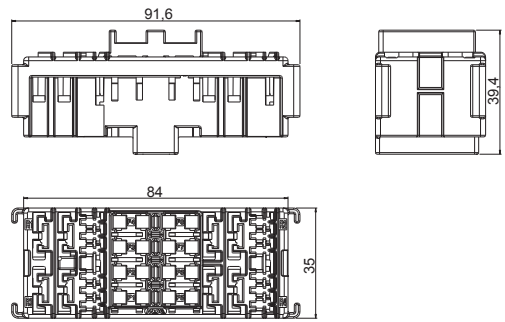
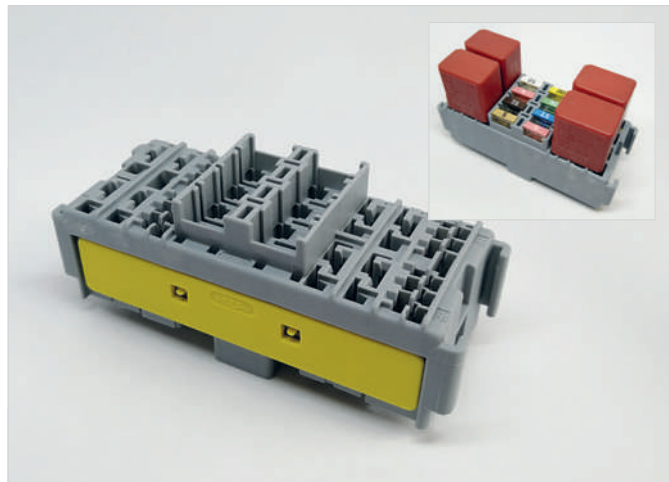
M



01.01494-0

PA66-M25

1/10



Art.

M



01.01564-0

PA66-M25

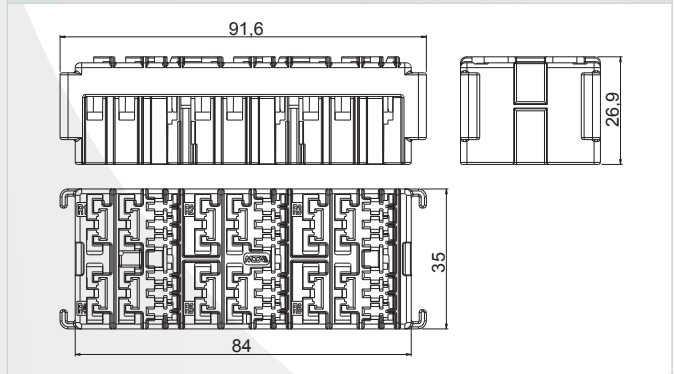
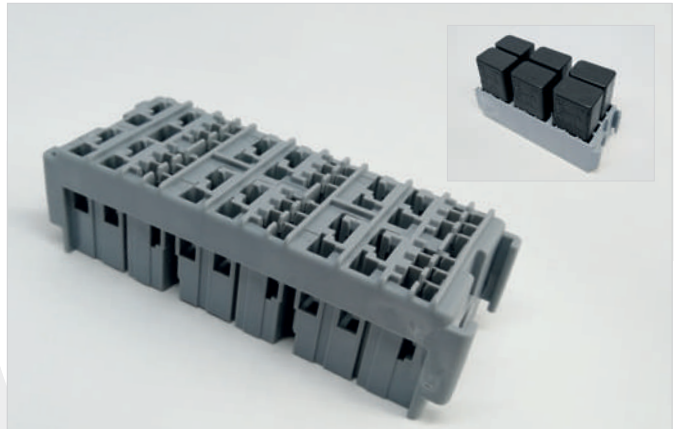
1/10



AUTO



Art. **M** 
01.01370-0 PA66-M25 1/10



Art. **M** 
03.01484-0 PA66-M25 1/10



Para / Pour / For / Per / Für / Para / Per a:
03.01460-0 / 03.01470-0 / 03.01484-0 / 01.01494-0 /
01.01510-0 / 01.01564-0

Art. **M** 
01.01590-0 PA66-M25 1/10



Para / Pour / For / Per / Für / Para / Per a:
03.01484-0 / 01.01494-0 / 01.01564-0 / 03.01490-0 /
03.01500-0 / 03.01480-0 / 03.01470-0 / 03.01460-0 /
03.01510-0

Art. **M** 
01.01580-0 PA66-M25 1/10



Para / Pour / For / Per / Für / Para / Per a:
03.117-0 / 03.118-0 / 03.119-0

Art.



33.00670-0

10/100



Para / Pour / For / Per / Für / Para / Per a:
03.120-0 / 03.123-0

Art.



33.00582-0

10/100



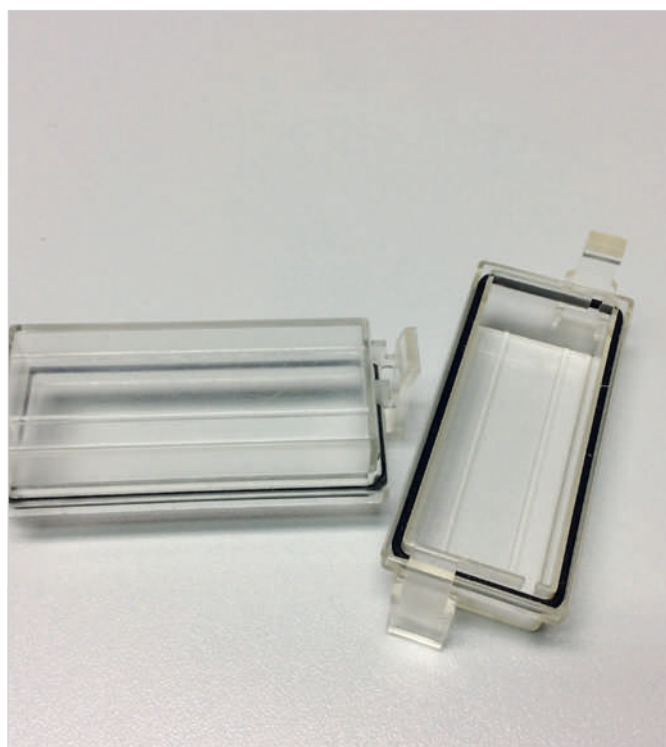
Para / Pour / For / Per / Für / Para / Per a: **03.121-0**

Art.



33.00562-0

10/100



Para / Pour / For / Per / Für / Para / Per a: **03.124-0**

Art.



33.00602-0

10/100



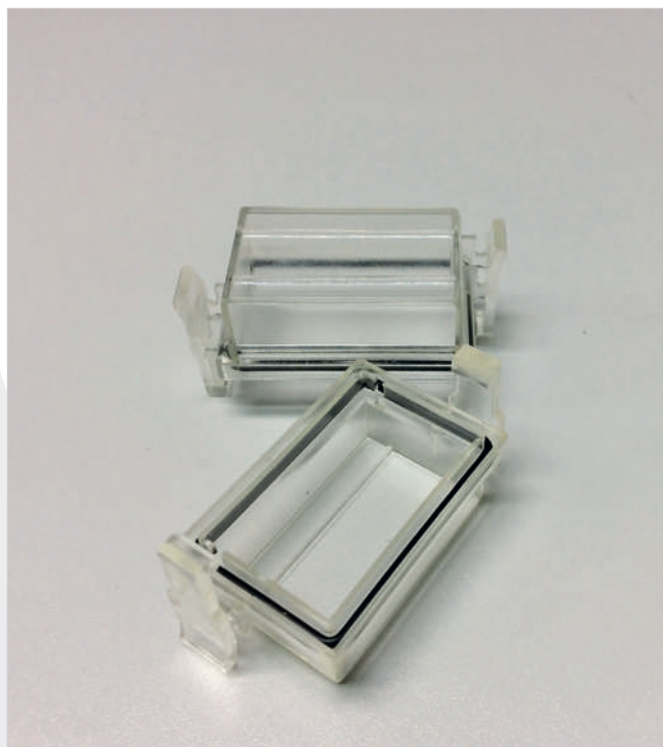
Para / Pour / For / Per / Für / Para / Per a: **03.122-0**

Art.



33.00542-0

10/100



Para / Pour / For / Per / Für / Para / Per a: **03.125-0**

Art.



33.00612-0

10/100



Para / Pour / For / Per / Für / Para / Per a:
03.127-0 / 03.128-0 / 03.132-0

Art.



33.00359-0

10/100



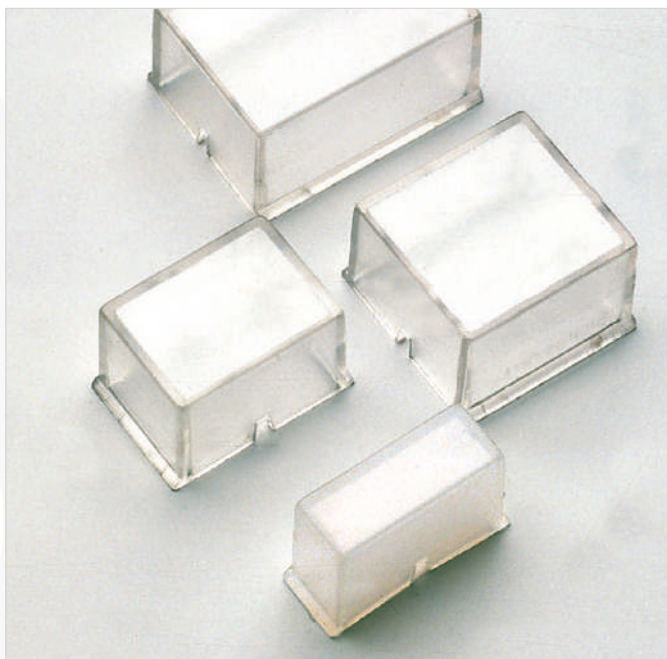
Para / Pour / For / Per / Für / Para / Per a: **03.133-0**

Art.



33.05539-0

10/100



Art.

Para / Pour / For /
Per / Für / Per a:



33.05526-0

03.134-0 x1

10/100

33.05527-0

03.134-0 x2

10/100

33.05528-0

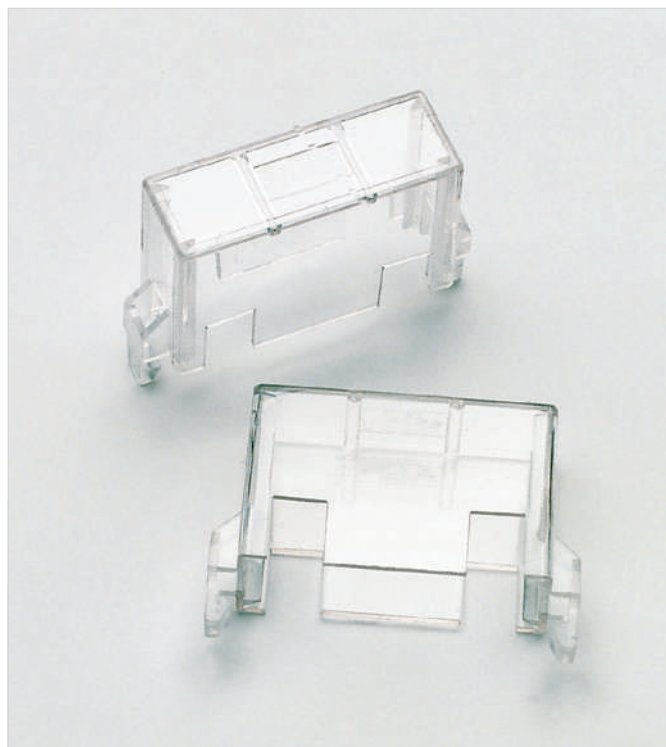
03.134-0 x3

10/100

33.05529-0

03.134-0 x4

10/100



Para / Pour / For / Per / Für / Para / Per a: **03.138-0**

Art.



33.00391-0

10/100



Para / Pour / For / Per / Für / Para / Per a: **03.129-0**

Art.

M



33.00415-0

PA66 GF-30

10/100



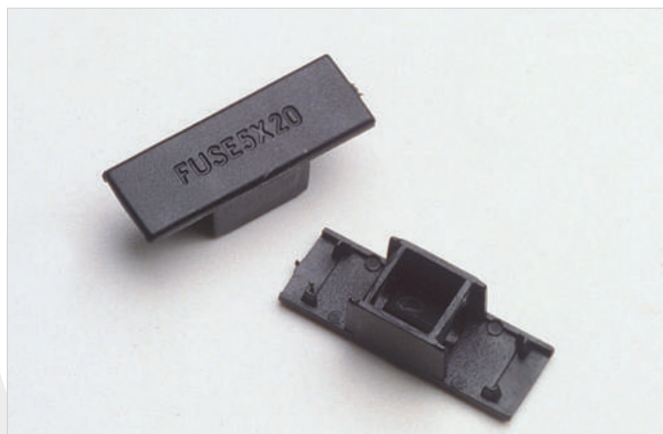
Para / Pour / For / Per / Für / Para / Per a: 5x20 mm.

Art.



33.006-1

25/250



Para / Pour / For / Per / Für / Para / Per a: 5x20 mm.

Art.



33.008-1

25/250



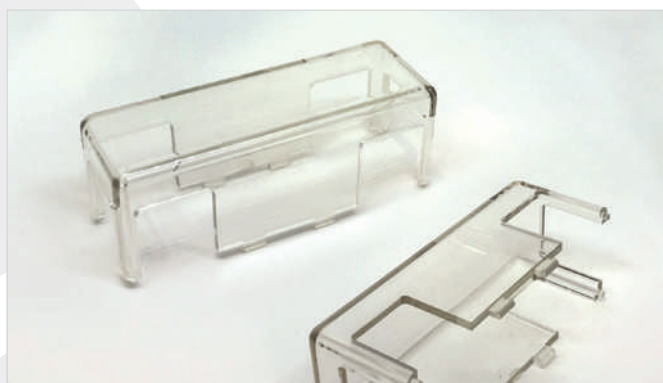
Para / Pour / For / Per / Für / Para / Per a: 6,3x32 mm.

Art.



33.009-1

25/250



Para / Pour / For / Per / Für / Para / Per a:

03.01391-0 / 03.01394-0

Art.



33.01391-0

10



Para / Pour / For / Per / Für / Para / Per a: **03.1068-0**

Art.



33.1068C-0

10



Para / Pour / For / Per / Für / Para / Per a: **03.1069-0**

Art.



33.1069C-0

10



Para / Pour / For / Per / Für / Para / Per a: **03.01392-0**

Art.



33.01392-0

10



Para / Pour / For / Per / Für / Para / Per a: **03.137-0**

Art.



33.21200

10



Para / Pour / For / Per / Für / Para / Per a: **03.137-0**

Art.



33.21210

10



Para / Pour / For / Per / Für / Para / Per a: **XB-PF07**

Art.



01520900U

10



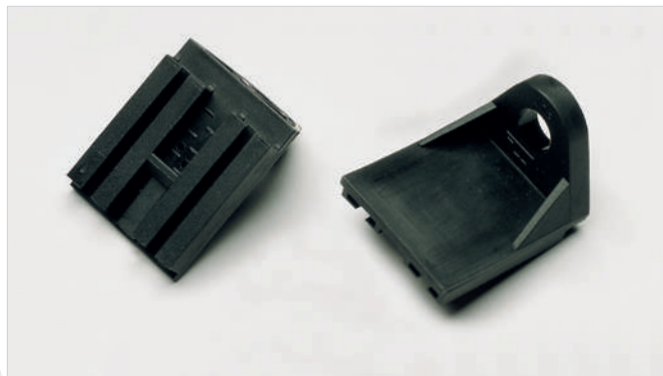
Para / Pour / For / Per / Für / Para / Per a:
03.00500-0 / 03.00800-0 / 03.00900-0 / 03.117-0
03.118-0 / 03.119-0 / 03.03000-0

Art.



33.00690-0

10/100



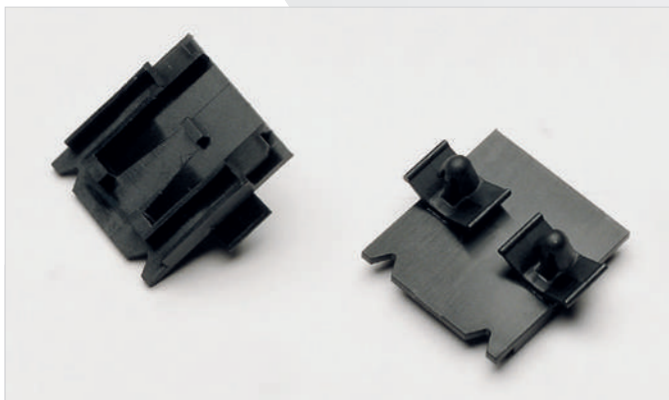
Para / Pour / For / Per / Für / Para / Per a:
03.117-0 / 03.118-0 / 03.119-0 / 03.03000-0

Art.



33.00691-0

10/100



Para / Pour / For / Per / Für / Para / Per a:
03.126-0 / 03.110-0 / 03.138-0 / 03.137-0

Art.



33.00392-0

10/100



Para / Pour / For / Per / Für / Para / Per a:
03.126-0 / 03.110-0 / 03.138-0 / 03.137-0

Art.



33.00440-0

10/100



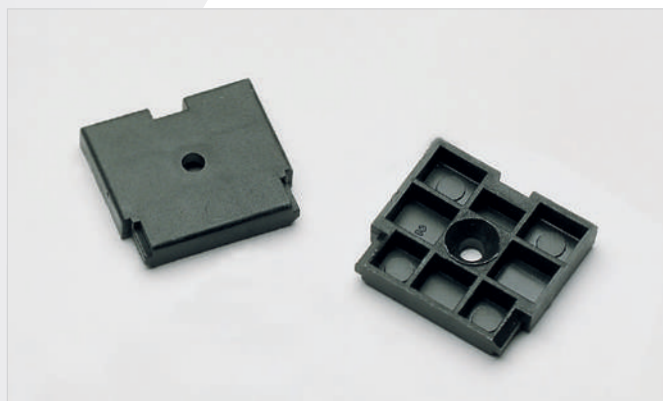
Para / Pour / For / Per / Für / Para / Per a:
03.126-0 / 03.110-0 / 03.138-0 / 03.137-0

Art.



33.00430-0

10/100



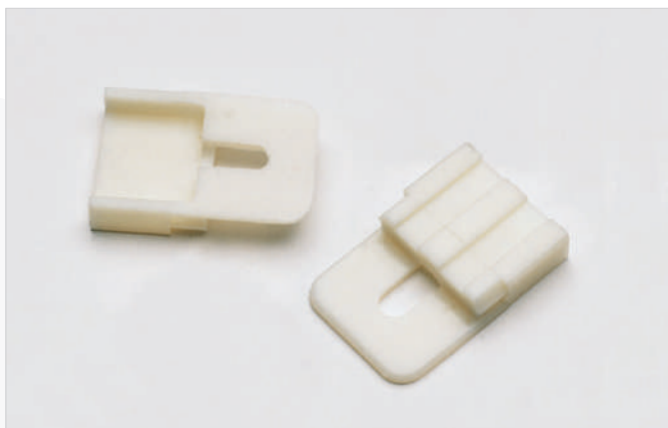
Para / Pour / For / Per / Für / Para / Per a:
03.127-0 / 03.128-0 / 03.130-0

Art.



33.00352-0

10/100



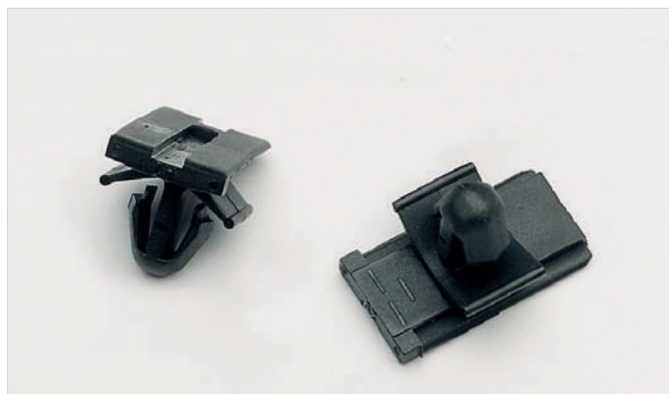
Para / Pour / For / Per / Für / Para / Per a: **03.134-0**

Art.



33.05525-0

10/100



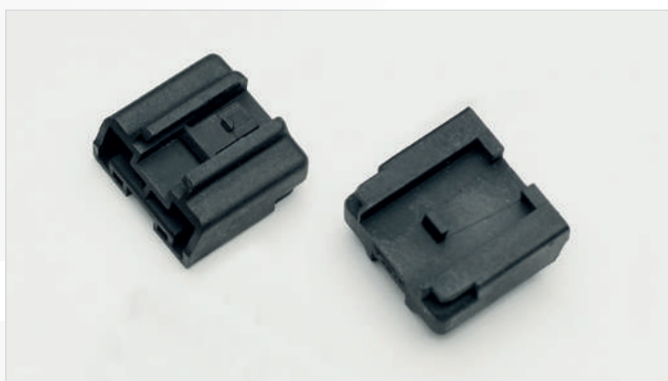
Para / Pour / For / Per / Für / Para / Per a: **03.110-0 / 03.00380-0**

Art.



33.00395-0

10/100



Para / Pour / For / Per / Für / Para / Per a: **03.00800-0 / 03.129-0 / 03.138-0 / 03.137-0 / 03.126-0 / 44.10245**

Art.



33.00848-0

10/100



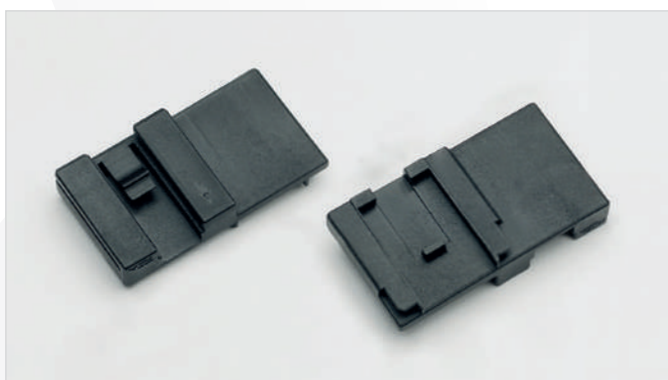
Para / Pour / For / Per / Für / Para / Per a: **03.00500-0 / 03.00900-0 / 03.03000-0 / 03.129-0 / 03.138-0 / 03.137-0 / 03.126-0 / 44.10245**

Art.



33.00949-0

10/100



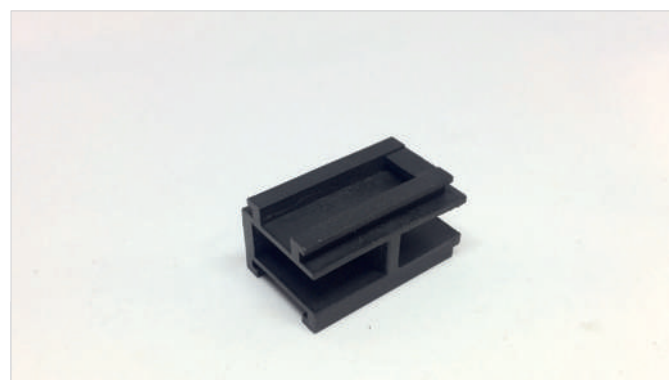
Para / Pour / For / Per / Für / Para / Per a: **03.00500-0 / 03.00900-0 / 03.03000-0 / 03.129-0 / 03.138-0 / 03.137-0 / 03.126-0 / 44.10245**

Art.



33.00851-0

10/100



Para / Pour / For / Per / Für / Para / Per a: **03.1068-0 / 03.1068/2-0**

Art.



33.1068-0

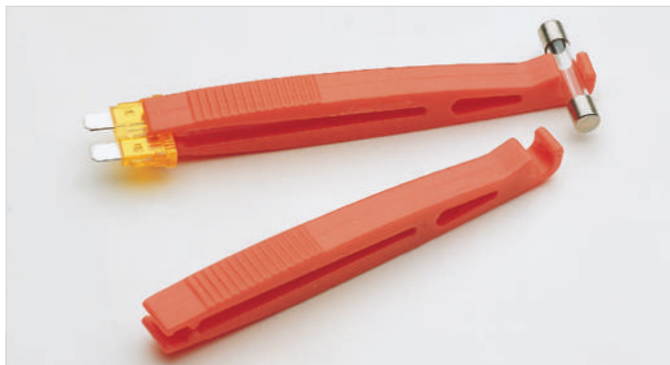
10/100

Pinzas extractoras / Extracteur / Pullers / Pinze estrattore / Extraktionswerkzeug / Puxadores / Pincas extractores

Para / Pour / For / Per / Für / Para / Per a: Fusibles Auto / Car fuses / Fusibili Auto / Autosicherungen / Fusíveis Auto



AUTO



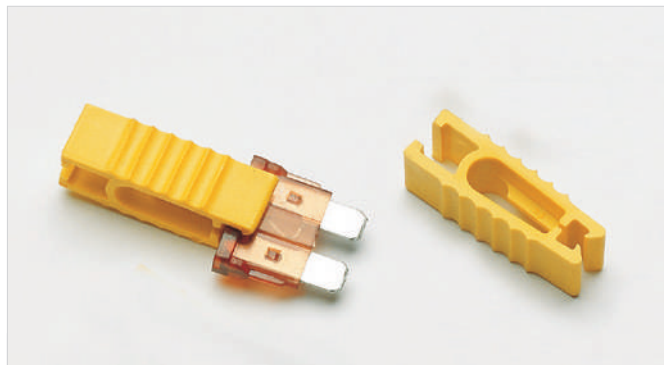
Para / Pour / For / Per / Für / Para / Per a:
03.49, 03.49-LF, 03.493, 03.493-LF, 03.47, 03.47L, 03.47-MTA,
03.45, 03.45L, 03.40, 03.40L, 03.40-MTA, 6,3x32.

Art.



03.201-0

25/250



Para / Pour / For / Per / Für / Para / Per a:
03.49, 03.49-LF, 03.493, 03.493-LF, 03.47L, 03.47-MTA, 03.40,
03.40-MTA, 03.40L.

Art.



03.202-0

25/250



Para / Pour / For / Per / Für / Para / Per a:
03.49, 03.49-LF, 03.493, 03.493-LF, 03.47, 03.47L, 03.47-MTA,
03.45, 03.45L, 03.40, 03.40L.

Art.



03.202-0-NG

25/250



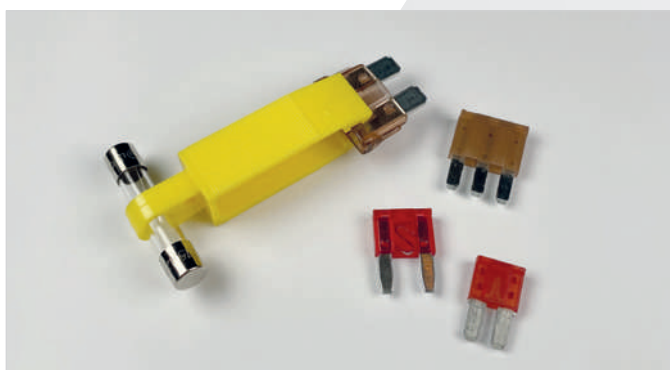
Para / Pour / For / Per / Für / Para / Per a:
03.49, 03.49-LF, 03.493, 03.493-LF, 03.47L, 03.47-MTA, 03.45L,
03.40, 03.40-MTA, 03.40L, 6,3x32.

Art.



03.203-0

25/250



Para / Pour / For / Per / Für / Para / Per a:
03.49, 03.49-LF, 03.493, 03.493-LF, 03.40, 03.40-MTA, 03.40L,
03.45, 03.45-MTA, 03.45L, 6,3x32

Art.



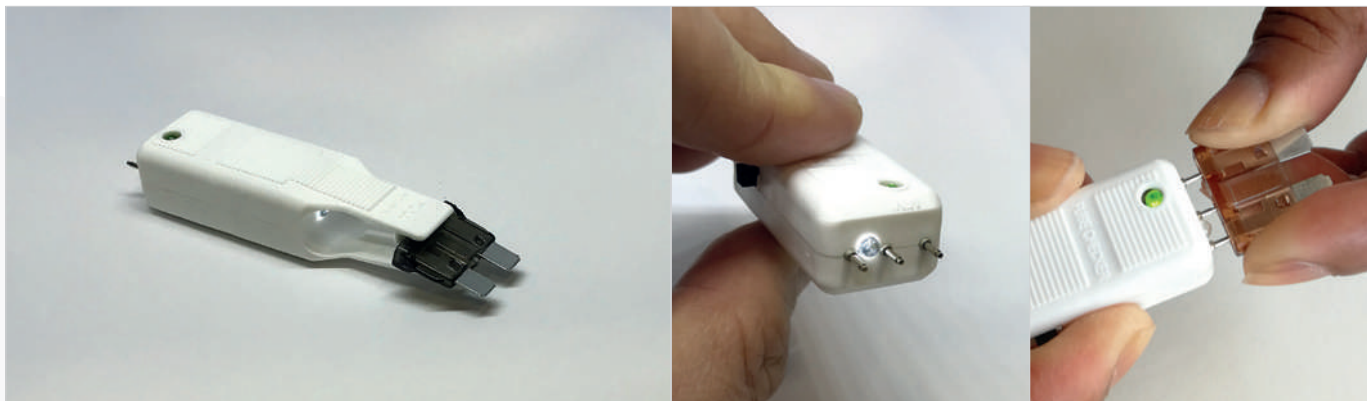
03.204-0

25/250



Pinzas extractoras / Extracteur / Pullers / Pinze estrattore / Extraktionswerkzeug / Puxadores / Pincas extractores

Para / Pour / For / Per / Für / Para / Per a: Fusibles Auto / Car fuses / Fusibili Auto / Autosicherungen / Fusíveis Auto



Para / Pour / For / Per / Für / Para / Per a:
03.49, 03.49-LF, 03.493, 03.493-LF, 03.47, 03.47L, 03.47-MTA, 03.45, 03.45L, 03.40, 03.40-MTA, 03.40L.

Art.

03.205-0



25/250

AUTO



03.49



03.49-LF



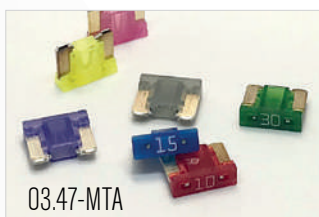
03.493



03.493-LF



03.47



03.47-MTA



03.47L



03.45



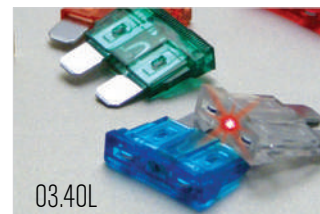
03.45L



03.40



03.40-MTA



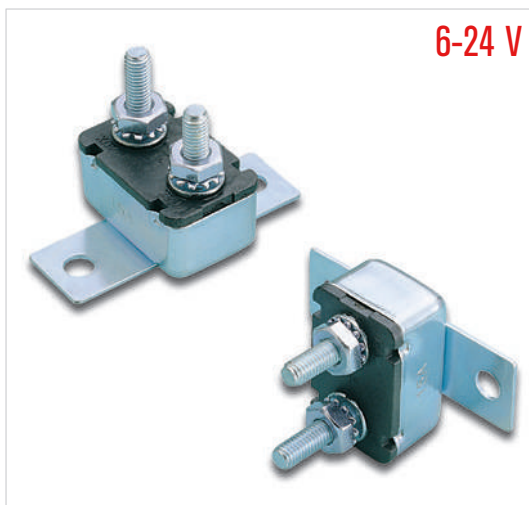
03.40L



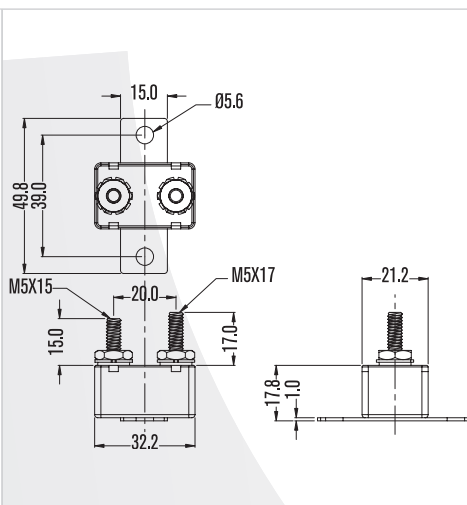
6.3x32



▶ 1518 Rearme automático / Réarmement automatique / Automatic reset / Reset automatico / Automatischer Rückstellung / Reinício automático / Reset automàtic



6-24 V

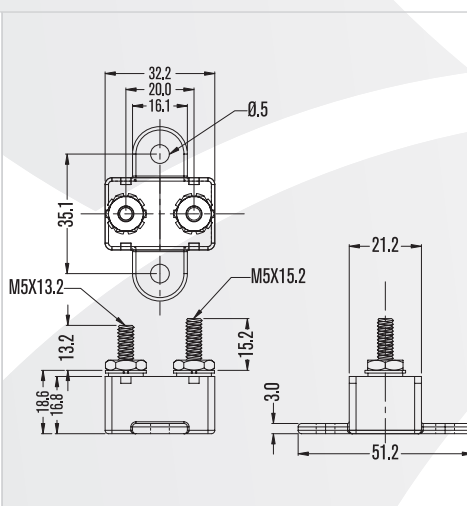


Art.	A	
03.1518-6A	6A	5/50
03.1518-8A	8A	5/50
03.1518-10A	10A	5/50
03.1518-15A	15A	5/50
03.1518-20A	20A	5/50
03.1518-25A	25A	5/50
03.1518-30A	30A	5/50
03.1518-40A	40A	5/50
03.1518-50A	50A	5/50

▶ 1519 Rearme automático / Réarmement automatique / Automatic reset / Reset automatico / Automatischer Rückstellung / Reinício automático / Reset automàtic

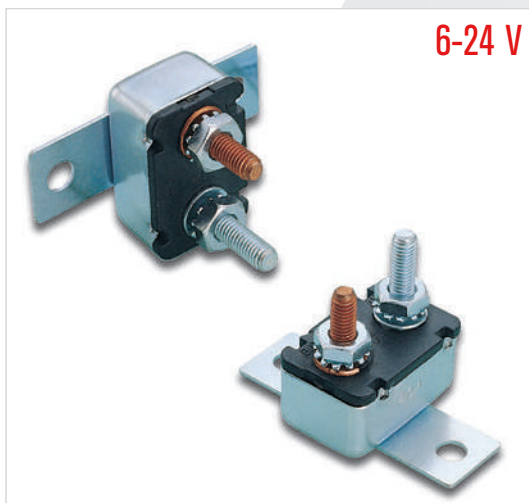


6-24 V

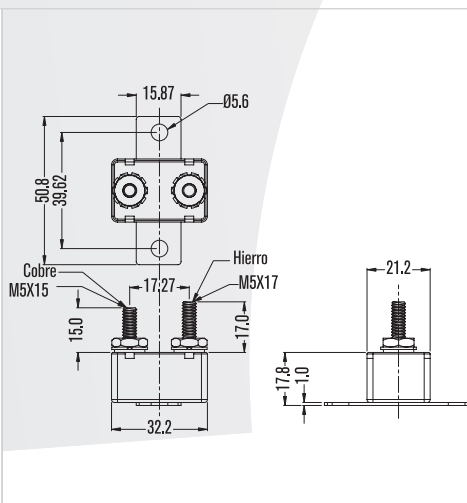


Art.	A	
03.1519-10A	10A	5/50
03.1519-15A	15A	5/50
03.1519-20A	20A	5/50
03.1519-25A	25A	5/50
03.1519-30A	30A	5/50
03.1519-40A	40A	5/50
03.1519-50A	50A	5/50

▶ 1520 Rearme automático / Réarmement automatique / Automatic reset / Reset automatico / Automatischer Rückstellung / Reinício automático / Reset automàtic



6-24 V



Art.	A	
03.1520-6A	6A	5/50
03.1520-8A	8A	5/50
03.1520-10A	10A	5/50
03.1520-15A	15A	5/50
03.1520-20A	20A	5/50
03.1520-25A	25A	5/50
03.1520-30A	30A	5/50
03.1520-40A	40A	5/50
03.1520-50A	50A	5/50



► **1522** Rearme automático / Réarmement automatique / Automatic reset / Reset automatico /
Automatischer Rückstellung / Reinício automático / Reset automática

6-24 V		Art.	A	
		03.1522-6A	6A	5/50
		03.1522-8A	8A	5/50
		03.1522-10A	10A	5/50
		03.1522-15A	15A	5/50
		03.1522-20A	20A	5/50
		03.1522-25A	25A	5/50
		03.1522-30A	30A	5/50
		03.1522-40A	40A	5/50
03.1522-50A	50A	5/50		

► **1528** Rearme automático / Réarmement automatique / Automatic reset / Reset automatico /
Automatischer Rückstellung / Reinício automático / Reset automática

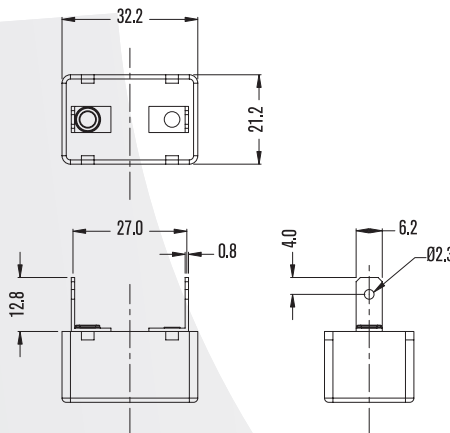
6-24 V		Art.	A	
		03.1528-10A	10A	5/50
		03.1528-15A	15A	5/50
		03.1528-20A	20A	5/50
		03.1528-25A	25A	5/50
		03.1528-30A	30A	5/50
		03.1528-40A	40A	5/50
		03.1528-50A	50A	5/50

► **1530** Rearme automático / Réarmement automatique / Automatic reset / Reset automatico /
Automatischer Rückstellung / Reinício automático / Reset automática

6-24 V		Art.	A	
		03.1530-10A	10A	5/50
		03.1530-15A	15A	5/50
		03.1530-20A	20A	5/50
		03.1530-25A	25A	5/50
		03.1530-30A	30A	5/50
		03.1530-40A	40A	5/50
		03.1530-50A	50A	5/50

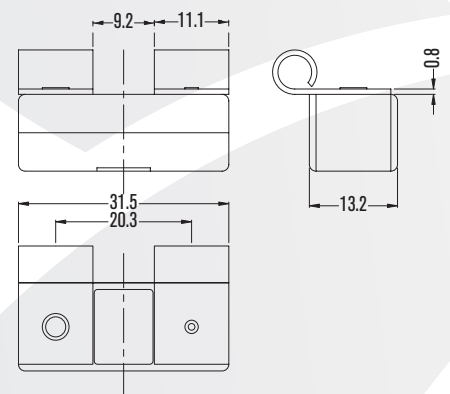


► 1529 Rearme automático / Réarmement automatique / Automatic reset / Reset automatico / Automatischer Rückstellung / Reinício automático / Reset automàtic



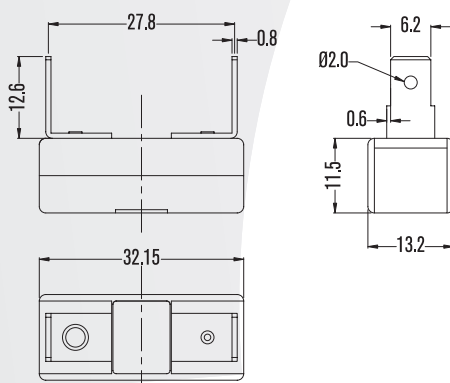
Art.	A	
03.1529-6A	6A	5/50
03.1529-8A	8A	5/50
03.1529-10A	10A	5/50
03.1529-15A	15A	5/50
03.1529-20A	20A	5/50
03.1529-25A	25A	5/50
03.1529-30A	30A	5/50
03.1529-40A	40A	5/50
03.1529-50A	50A	5/50

► 1524 Rearme automático / Réarmement automatique / Automatic reset / Reset automatico / Automatischer Rückstellung / Reinício automático / Reset automàtic



Art.	A	
03.1524-10A	10A	5/50
03.1524-15A	15A	5/50
03.1524-20A	20A	5/50
03.1524-25A	25A	5/50
03.1524-30A	30A	5/50
03.1524-40A	40A	5/50
03.1524-50A	50A	5/50

► 1525 Rearme automático / Réarmement automatique / Automatic reset / Reset automatico / Automatischer Rückstellung / Reinício automático / Reset automàtic



Art.	A	
03.1525-10A	10A	5/50
03.1525-15A	15A	5/50
03.1525-20A	20A	5/50
03.1525-25A	25A	5/50
03.1525-30A	30A	5/50
03.1525-40A	40A	5/50
03.1525-50A	50A	5/50



▶ **1526** Rearme automático modificado / Réarmament automatique modifié / Modified automatic reset /
Reset automatico modificado / Geändert Automatischer Rückstellung / Reset automatico modificado
Reset automàtic modifícat

6-24 V

Art.	A	
03.1526-10A	10A	5/50
03.1526-15A	15A	5/50
03.1526-20A	20A	5/50
03.1526-25A	25A	5/50
03.1526-30A	30A	5/50
03.1526-40A	40A	5/50
03.1526-50A	50A	5/50

▶ **1527** Rearme automático modificado / Réarmament automatique modifié / Modified automatic reset /
Reset automatico modificado / Geändert Automatischer Rückstellung / Reset automatico modificado
Reset automàtic modifícat

6-24 V

Art.	A	
03.1527-6A	6A	5/50
03.1527-8A	8A	5/50
03.1527-10A	10A	5/50
03.1527-15A	15A	5/50
03.1527-20A	20A	5/50
03.1527-25A	25A	5/50
03.1527-30A	30A	5/50
03.1527-40A	40A	5/50
03.1527-50A	50A	5/50

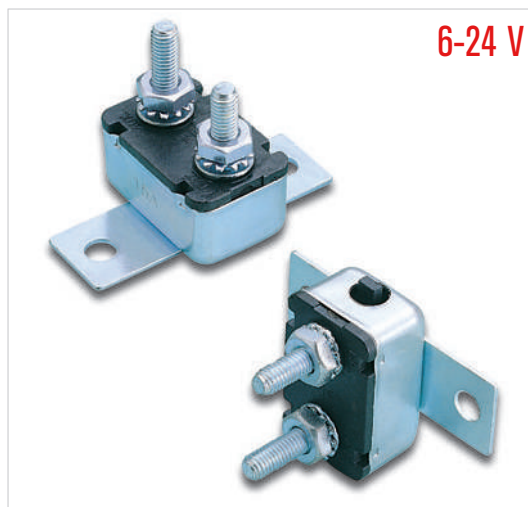
▶ **1523** Rearme automático modificado / Réarmament automatique modifié / Modified automatic reset /
Reset automatico modificado / Geändert Automatischer Rückstellung / Reset automatico modificado
Reset automàtic modifícat

6-24 V

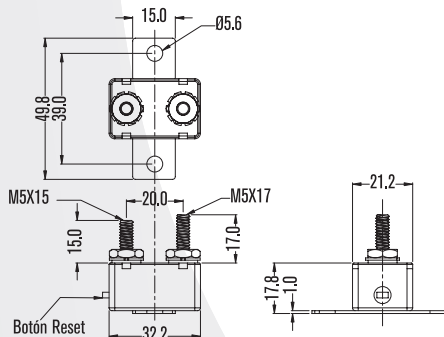
Art.	A	
03.1523-10A	10A	5/50
03.1523-15A	15A	5/50
03.1523-20A	20A	5/50
03.1523-25A	25A	5/50
03.1523-30A	30A	5/50
03.1523-40A	40A	5/50
03.1523-50A	50A	5/50



► 1521 Rearme manual / Réarmement manuel / Manual reset / Reset manuale / Manueller Rückstellung / Reinício manual / Reset manual



6-24 V



Art.	A	
03.1521-6A	6A	5/50
03.1521-8A	8A	5/50
03.1521-10A	10A	5/50
03.1521-15A	15A	5/50
03.1521-20A	20A	5/50
03.1521-25A	25A	5/50
03.1521-30A	30A	5/50
03.1521-40A	40A	5/50
03.1521-50A	50A	5/50

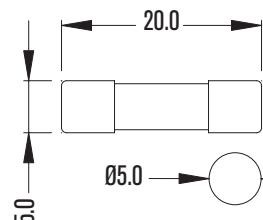


5x20 mm. Fusión rápida

Fusion rapide / Fast acting / Azione rapida / Schnell Wirkende / Fusão rápida / Fusió ràpida



250 V



AUTO

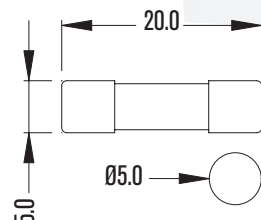
Art.	A		Art.	A		Art.	A	
03.26.010-1	10 mA	100/1000	03.26.350-1	350 mA	100/1000	03.26.0350-1	3.50 A	100/1000
03.26.020-1	20 mA	100/1000	03.26.400-1	400 mA	100/1000	03.26.0400-1	4 A	100/1000
03.26.030-1	30 mA	100/1000	03.26.500-1	500 mA	100/1000	03.26.0500-1	5 A	100/1000
03.26.032-1	32 mA	100/1000	03.26.600-1	600 mA	100/1000	03.26.0600-1	6 A	100/1000
03.26.040-1	40 mA	100/1000	03.26.630-1	630 mA	100/1000	03.26.0630-1	6.3 A	100/1000
03.26.050-1	50 mA	100/1000	03.26.700-1	700 mA	100/1000	03.26.0700-1	7 A	100/1000
03.26.063-1	63 mA	100/1000	03.26.750-1	750 mA	100/1000	03.26.0750-1	7.5 A	100/1000
03.26.080-1	80 mA	100/1000	03.26.800-1	800 mA	100/1000	03.26.0800-1	8 A	100/1000
03.26.100-1	100 mA	100/1000	03.26.0100-1	1 A	100/1000	03.26.1000-1	10 A	100/1000
03.26.125-1	125 mA	100/1000	03.26.0125-1	1.25 A	100/1000	03.26.1200-1	12 A	100/1000
03.26.150-1	150 mA	100/1000	03.26.0150-1	1.50 A	100/1000	03.26.1500-1	15 A	100/1000
03.26.160-1	160 mA	100/1000	03.26.0160-1	1.60 A	100/1000	03.26.1600-1	16 A	100/1000
03.26.200-1	200 mA	100/1000	03.26.0200-1	2 A	100/1000	03.26.2000-1	20 A	100/1000
03.26.250-1	250 mA	100/1000	03.26.0250-1	2.50 A	100/1000	03.26.2500-1	25 A	100/1000
03.26.300-1	300 mA	100/1000	03.26.0300-1	3 A	100/1000			
03.26.315-1	315 mA	100/1000	03.26.0315-1	3.15 A	100/1000			

5x20 mm. Fusión rápida

Fusion rapide / Fast acting / Azione rapida / Schnell Wirkende / Fusão rápida / Fusió ràpida



250 V



Art.	A		Art.	A		Art.	A	
03.27.010-1	10 mA	100/1000	03.27.315-1	315 mA	100/1000	03.27.0300-1	3 A	100/1000
03.27.020-1	20 mA	100/1000	03.27.350-1	350 mA	100/1000	03.27.0315-1	3.15 A	100/1000
03.27.030-1	30 mA	100/1000	03.27.400-1	400 mA	100/1000	03.27.0350-1	3.50 A	100/1000
03.27.032-1	32 mA	100/1000	03.27.500-1	500 mA	100/1000	03.27.0400-1	4 A	100/1000
03.27.040-1	40 mA	100/1000	03.27.600-1	600 mA	100/1000	03.27.0500-1	5 A	100/1000
03.27.050-1	50 mA	100/1000	03.27.630-1	630 mA	100/1000	03.27.0600-1	6 A	100/1000
03.27.063-1	63 mA	100/1000	03.27.700-1	700 mA	100/1000	03.27.0630-1	6.3 A	100/1000
03.27.080-1	80 mA	100/1000	03.27.750-1	750 mA	100/1000	03.27.0700-1	7 A	100/1000
03.27.100-1	100 mA	100/1000	03.27.800-1	800 mA	100/1000	03.27.0750-1	7.5 A	100/1000
03.27.125-1	125 mA	100/1000	03.27.0100-1	1 A	100/1000	03.27.0800-1	8 A	100/1000
03.27.150-1	150 mA	100/1000	03.27.0125-1	1.25 A	100/1000	03.27.1000-1	10 A	100/1000
03.27.160-1	160 mA	100/1000	03.27.0150-1	1.50 A	100/1000	03.27.1200-1	12 A	100/1000
03.27.200-1	200 mA	100/1000	03.27.0160-1	1.60 A	100/1000	03.27.1500-1	15 A	100/1000
03.27.250-1	250 mA	100/1000	03.27.0200-1	2 A	100/1000	03.27.1600-1	16 A	100/1000
03.27.300-1	300 mA	100/1000	03.27.0250-1	2.50 A	100/1000	03.27.2000-1	20 A	100/1000

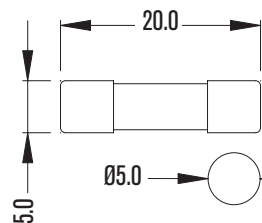


5x20 mm. Fusión lenta

Fusion lente / Slow Blow / Fusione lenta / Langsamer Schlag / Lentos / Fusió lenta



250 V



Art.	A		Art.	A		Art.	A	
03.24.010-1	10 mA	100/1000	03.24.300-1	300 mA	100/1000	03.24.0200-1	2 A	100/1000
03.24.020-1	20 mA	100/1000	03.24.315-1	315 mA	100/1000	03.24.0250-1	2.50 A	100/1000
03.24.030-1	30 mA	100/1000	03.24.350-1	350 mA	100/1000	03.24.0300-1	3 A	100/1000
03.24.032-1	32 mA	100/1000	03.24.400-1	400 mA	100/1000	03.24.0315-1	3.15 A	100/1000
03.24.040-1	40 mA	100/1000	03.24.500-1	500 mA	100/1000	03.24.0350-1	3.50 A	100/1000
03.24.050-1	50 mA	100/1000	03.24.600-1	600 mA	100/1000	03.24.0400-1	4 A	100/1000
03.24.063-1	63 mA	100/1000	03.24.630-1	630 mA	100/1000	03.24.0500-1	5 A	100/1000
03.24.080-1	80 mA	100/1000	03.24.700-1	700 mA	100/1000	03.24.0600-1	6 A	100/1000
03.24.100-1	100 mA	100/1000	03.24.750-1	750 mA	100/1000	03.24.0630-1	6.3 A	100/1000
03.24.125-1	125 mA	100/1000	03.24.800-1	800 mA	100/1000	03.24.0700-1	7 A	100/1000
03.24.150-1	150 mA	100/1000	03.24.0100-1	1 A	100/1000	03.24.0750-1	7.5 A	100/1000
03.24.160-1	160 mA	100/1000	03.24.0125-1	1.25 A	100/1000	03.24.0800-1	8 A	100/1000
03.24.200-1	200 mA	100/1000	03.24.0150-1	1.50 A	100/1000	03.24.1000-1	10 A	100/1000
03.24.250-1	250 mA	100/1000	03.24.0160-1	1.60 A	100/1000			

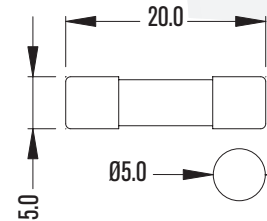
INDUSTRIA & ELECTRÓNICA

5x20 mm. Fusión lenta

Fusion lente / Slow Blow / Fusione lenta / Langsamer Schlag / Lentos / Fusió lenta



250 V



Art.	A		Art.	A		Art.	A	
03.25.010-1	10 mA	100/1000	03.25.300-1	300 mA	100/1000	03.25.0200-1	2 A	100/1000
03.25.020-1	20 mA	100/1000	03.25.315-1	315 mA	100/1000	03.25.0250-1	2.50 A	100/1000
03.25.030-1	30 mA	100/1000	03.25.350-1	350 mA	100/1000	03.25.0300-1	3 A	100/1000
03.25.032-1	32 mA	100/1000	03.25.400-1	400 mA	100/1000	03.25.0315-1	3.15 A	100/1000
03.25.040-1	40 mA	100/1000	03.25.500-1	500 mA	100/1000	03.25.0350-1	3.50 A	100/1000
03.25.050-1	50 mA	100/1000	03.25.600-1	600 mA	100/1000	03.25.0400-1	4 A	100/1000
03.25.063-1	63 mA	100/1000	03.25.630-1	630 mA	100/1000	03.25.0500-1	5 A	100/1000
03.25.080-1	80 mA	100/1000	03.25.700-1	700 mA	100/1000	03.25.0600-1	6 A	100/1000
03.25.100-1	100 mA	100/1000	03.25.750-1	750 mA	100/1000	03.25.0630-1	6.3 A	100/1000
03.25.125-1	125 mA	100/1000	03.25.800-1	800 mA	100/1000	03.25.0700-1	7 A	100/1000
03.25.150-1	150 mA	100/1000	03.25.0100-1	1 A	100/1000	03.25.0750-1	7.5 A	100/1000
03.25.160-1	160 mA	100/1000	03.25.0125-1	1.25 A	100/1000	03.25.0800-1	8 A	100/1000
03.25.200-1	200 mA	100/1000	03.25.0150-1	1.50 A	100/1000	03.25.1000-1	10 A	100/1000
03.25.250-1	250 mA	100/1000	03.25.0160-1	1.60 A	100/1000			

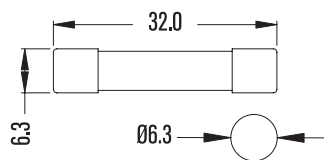


6,3x32 mm. Fusión rápida

Fusion rapide / Fast acting / Azione rapida / Schnell Wirkende / Fusão rápida / Fusió ràpida



250 V



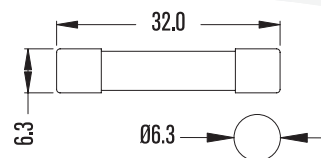
Art.	A		Art.	A		Art.	A	
03.35.010-1	10 mA	100/1000	03.35.400-1	400 mA	100/1000	03.35.0500-1	5 A	100/1000
03.35.020-1	20 mA	100/1000	03.35.500-1	500 mA	100/1000	03.35.0600-1	6 A	100/1000
03.35.030-1	30 mA	100/1000	03.35.600-1	600 mA	100/1000	03.35.0630-1	6.3 A	100/1000
03.35.032-1	32 mA	100/1000	03.35.630-1	630 mA	100/1000	03.35.0700-1	7 A	100/1000
03.35.040-1	40 mA	100/1000	03.35.700-1	700 mA	100/1000	03.35.0750-1	7.5 A	100/1000
03.35.050-1	50 mA	100/1000	03.35.750-1	750 mA	100/1000	03.35.0800-1	8 A	100/1000
03.35.063-1	63 mA	100/1000	03.35.800-1	800 mA	100/1000	03.35.1000-1	10 A	100/1000
03.35.080-1	80 mA	100/1000	03.35.0100-1	1 A	100/1000	03.35.1200-1	12 A	100/1000
03.35.100-1	100 mA	100/1000	03.35.0125-1	1.25 A	100/1000	03.35.1500-1	15 A	100/1000
03.35.125-1	125 mA	100/1000	03.35.0150-1	1.50 A	100/1000	03.35.1600-1	16 A	100/1000
03.35.150-1	150 mA	100/1000	03.35.0160-1	1.60 A	100/1000	03.35.2000-1	20 A	100/1000
03.35.160-1	160 mA	100/1000	03.35.0200-1	2 A	100/1000	03.35.2500-1	25 A	100/1000
03.35.200-1	200 mA	100/1000	03.35.0250-1	2.50 A	100/1000	03.35.3000-1	30 A	100/1000
03.35.250-1	250 mA	100/1000	03.35.0300-1	3 A	100/1000	03.35.3500-1	35 A	100/1000
03.35.300-1	300 mA	100/1000	03.35.0315-1	3.15 A	100/1000	03.35.4000-1	40 A	100/1000
03.35.315-1	315 mA	100/1000	03.35.0350-1	3.50 A	100/1000	03.35.5000-1	50 A	100/1000
03.35.350-1	350 mA	100/1000	03.35.0400-1	4 A	100/1000			

6,3x32 mm. Fusión rápida

Fusion rapide / Fast acting / Azione rapida / Schnell Wirkende / Fusão rápida / Fusió ràpida



250 V



Art.	A		Art.	A		Art.	A	
03.37.010-1	10 mA	100/1000	03.37.350-1	350 mA	100/1000	03.37.0350-1	3.50 A	100/1000
03.37.020-1	20 mA	100/1000	03.37.400-1	400 mA	100/1000	03.37.0400-1	4 A	100/1000
03.37.030-1	30 mA	100/1000	03.37.500-1	500 mA	100/1000	03.37.0500-1	5 A	100/1000
03.37.032-1	32 mA	100/1000	03.37.600-1	600 mA	100/1000	03.37.0600-1	6 A	100/1000
03.37.040-1	40 mA	100/1000	03.37.630-1	630 mA	100/1000	03.37.0630-1	6.3 A	100/1000
03.37.050-1	50 mA	100/1000	03.37.700-1	700 mA	100/1000	03.37.0700-1	7 A	100/1000
03.37.063-1	63 mA	100/1000	03.37.750-1	750 mA	100/1000	03.37.0750-1	7.5 A	100/1000
03.37.080-1	80 mA	100/1000	03.37.800-1	800 mA	100/1000	03.37.0800-1	8 A	100/1000
03.37.100-1	100 mA	100/1000	03.37.0100-1	1 A	100/1000	03.37.1000-1	10 A	100/1000
03.37.125-1	125 mA	100/1000	03.37.0125-1	1.25 A	100/1000	03.37.1200-1	12 A	100/1000
03.37.150-1	150 mA	100/1000	03.37.0150-1	1.50 A	100/1000	03.37.1500-1	15 A	100/1000
03.37.160-1	160 mA	100/1000	03.37.0160-1	1.60 A	100/1000	03.37.1600-1	16 A	100/1000
03.37.200-1	200 mA	100/1000	03.37.0200-1	2 A	100/1000	03.37.2000-1	20 A	100/1000
03.37.250-1	250 mA	100/1000	03.37.0250-1	2.50 A	100/1000	03.37.2500-1	25 A	100/1000
03.37.300-1	300 mA	100/1000	03.37.0300-1	3 A	100/1000	03.37.3000-1	30 A	100/1000
03.37.315-1	315 mA	100/1000	03.37.0315-1	3.15 A	100/1000			

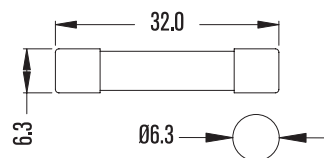


6,3x32 mm. Fusión lenta

Fusion lente / Slow Blow / Fusione lenta / Langsamer Schlag / Lentos / Fusió lenta



250 V



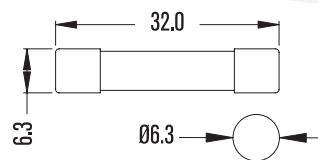
Art.	A		Art.	A		Art.	A	
03.38.010-1	10 mA	100/1000	03.38.350-1	350 mA	100/1000	03.38.0350-1	3.50 A	100/1000
03.38.020-1	20 mA	100/1000	03.38.400-1	400 mA	100/1000	03.38.0400-1	4 A	100/1000
03.38.030-1	30 mA	100/1000	03.38.500-1	500 mA	100/1000	03.38.0500-1	5 A	100/1000
03.38.032-1	32 mA	100/1000	03.38.600-1	600 mA	100/1000	03.38.0600-1	6 A	100/1000
03.38.040-1	40 mA	100/1000	03.38.630-1	630 mA	100/1000	03.38.0630-1	6.3 A	100/1000
03.38.050-1	50 mA	100/1000	03.38.700-1	700 mA	100/1000	03.38.0700-1	7 A	100/1000
03.38.063-1	63 mA	100/1000	03.38.750-1	750 mA	100/1000	03.38.0750-1	7.5 A	100/1000
03.38.080-1	80 mA	100/1000	03.38.800-1	800 mA	100/1000	03.38.0800-1	8 A	100/1000
03.38.100-1	100 mA	100/1000	03.38.0100-1	1 A	100/1000	03.38.1000-1	10 A	100/1000
03.38.125-1	125 mA	100/1000	03.38.0125-1	1.25 A	100/1000	03.38.1200-1	12 A	100/1000
03.38.150-1	150 mA	100/1000	03.38.0150-1	1.50 A	100/1000	03.38.1500-1	15 A	100/1000
03.38.160-1	160 mA	100/1000	03.38.0160-1	1.60 A	100/1000	03.38.1600-1	16 A	100/1000
03.38.200-1	200 mA	100/1000	03.38.0200-1	2 A	100/1000	03.38.2000-1	20 A	100/1000
03.38.250-1	250 mA	100/1000	03.38.0250-1	2.50 A	100/1000	03.38.2500-1	25 A	100/1000
03.38.300-1	300 mA	100/1000	03.38.0300-1	3 A	100/1000	03.38.3000-1	30 A	100/1000
03.38.315-1	315 mA	100/1000	03.38.0315-1	3.15 A	100/1000			

6,3x32 mm. Fusión lenta

Fusion lente / Slow Blow / Fusione lenta / Langsamer Schlag / Lentos / Fusio lenta





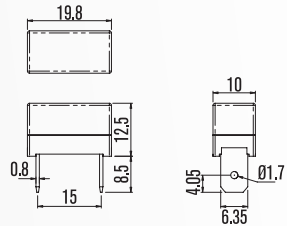


250 V





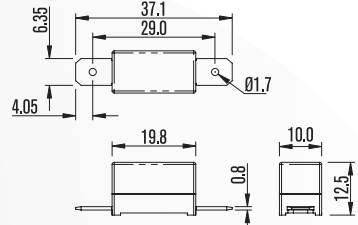


Art.	A		Art.	A		Art.	A	
03.39.010-1	10 mA	100/1000	03.39.350-1	350 mA	100/1000	03.39.0350-1	3.50 A	100/1000
03.39.020-1	20 mA	100/1000	03.39.400-1	400 mA	100/1000	03.39.0400-1	4 A	100/1000
03.39.030-1	30 mA	100/1000	03.39.500-1	500 mA	100/1000	03.39.0500-1	5 A	100/1000
03.39.032-1	32 mA	100/1000	03.39.600-1	600 mA	100/1000	03.39.0600-1	6 A	100/1000
03.39.040-1	40 mA	100/1000	03.39.630-1	630 mA	100/1000	03.39.0630-1	6.3 A	100/1000
03.39.050-1	50 mA	100/1000	03.39.700-1	700 mA	100/1000	03.39.0700-1	7 A	100/1000
03.39.063-1	63 mA	100/1000	03.39.750-1	750 mA	100/1000	03.39.0750-1	7.5 A	100/1000
03.39.080-1	80 mA	100/1000	03.39.800-1	800 mA	100/1000	03.39.0800-1	8 A	100/1000
03.39.100-1	100 mA	100/1000	03.39.0100-1	1 A	100/1000	03.39.1000-1	10 A	100/1000
03.39.125-1	125 mA	100/1000	03.39.0125-1	1.25 A	100/1000	03.39.1200-1	12 A	100/1000
03.39.150-1	150 mA	100/1000	03.39.0150-1	1.50 A	100/1000	03.39.1500-1	15 A	100/1000
03.39.160-1	160 mA	100/1000	03.39.0160-1	1.60 A	100/1000	03.39.1600-1	16 A	100/1000
03.39.200-1	200 mA	100/1000	03.39.0200-1	2 A	100/1000	03.39.2000-1	20 A	100/1000
03.39.250-1	250 mA	100/1000	03.39.0250-1	2.50 A	100/1000	03.39.2500-1	25 A	100/1000
03.39.300-1	300 mA	100/1000	03.39.0300-1	3 A	100/1000	03.39.3000-1	30 A	100/1000
03.39.315-1	315 mA	100/1000	03.39.0315-1	3.15 A	100/1000			





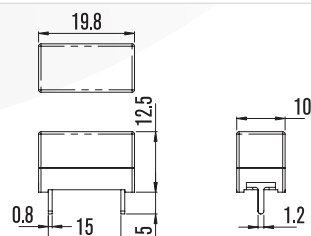
▶ 1301 - 6.35 x 0.8 mm.

		 250 V			Art.	A		Art.	A	
		1301-800mA	800 mA	5/50	1301-7A	7 A	5/50			
		1301-1A	500 mA	5/50	1301-8A	8 A	5/50			
		1301-1.25A	1.25 A	5/50	1301-10A	10 A	5/50			
		1301-1.6A	1.6 A	5/50	1301-12A	12 A	5/50			
		1301-2A	2 A	5/50	1301-15A	15 A	5/50			
		1301-2.5A	2.5 A	5/50	1301-16A	16 A	5/50			
		1301-3.15A	3.15 A	5/50	1301-20A	20 A	5/50			
		1301-4A	4 A	5/50	1301-25A	25 A	5/50			
		1301-5A	5 A	5/50	1301-30A	30 A	5/50			
		1301-6.3A	6.3 A	5/50						

▶ 1303 - 6.35 x 0.8 mm.

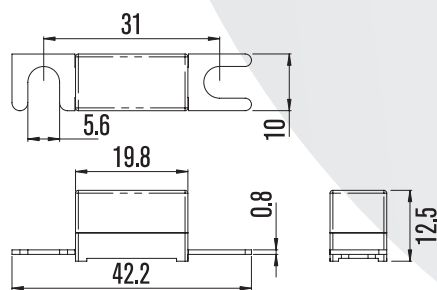
		 250 V			Art.	A		Art.	A	
		1303-800mA	800 mA	5/50	1303-7A	7 A	5/50			
		1303-1A	500 mA	5/50	1303-8A	8 A	5/50			
		1303-1.25A	1.25 A	5/50	1303-10A	10 A	5/50			
		1303-1.6A	1.6 A	5/50	1303-12A	12 A	5/50			
		1303-2A	2 A	5/50	1303-15A	15 A	5/50			
		1303-2.5A	2.5 A	5/50	1303-16A	16 A	5/50			
		1303-3.15A	3.15 A	5/50	1303-20A	20 A	5/50			
		1303-4A	4 A	5/50	1303-25A	25 A	5/50			
		1303-5A	5 A	5/50	1303-30A	30 A	5/50			
		1303-6.3A	6.3 A	5/50						

▶ 1305

		 250 V			Art.	A		Art.	A	
		1305-800mA	800 mA	5/50	1305-7A	7 A	5/50			
		1305-1A	500 mA	5/50	1305-8A	8 A	5/50			
		1305-1.25A	1.25 A	5/50	1305-10A	10 A	5/50			
		1305-1.6A	1.6 A	5/50	1305-12A	12 A	5/50			
		1305-2A	2 A	5/50	1305-15A	15 A	5/50			
		1305-2.5A	2.5 A	5/50	1305-16A	16 A	5/50			
		1305-3.15A	3.15 A	5/50	1305-20A	20 A	5/50			
		1305-4A	4 A	5/50	1305-25A	25 A	5/50			
		1305-5A	5 A	5/50	1305-30A	30 A	5/50			
		1305-6.3A	6.3 A	5/50						

▶ 1307

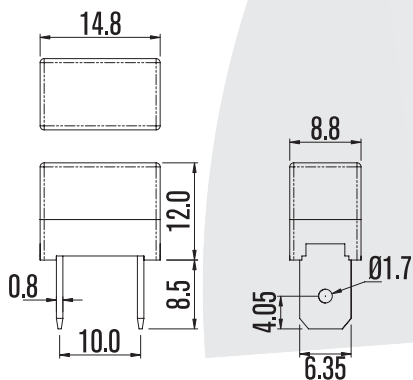
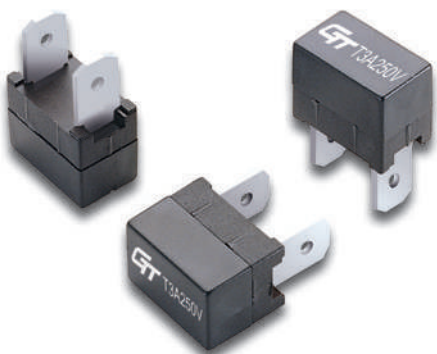
250/80 V



Art.	A		Art.	A	
1307-800mA	800 mA	5/50	1307-16A	16 A	5/50
1307-1A	500 mA	5/50	1307-20A	20 A	5/50
1307-1.25A	1.25 A	5/50	1307-25A	25 A	5/50
1307-1.6A	1.6 A	5/50	1307-30A	30 A	5/50
1307-2A	2 A	5/50	1307-35A	35 A	5/50
1307-2.5A	2.5 A	5/50	1307-40A	40 A	5/50
1307-3.15A	3.15 A	5/50	1307-50A	50 A	5/50
1307-4A	4 A	5/50	1307-60A	60 A	5/50
1307-5A	5 A	5/50	1307-70A	70 A	5/50
1307-6.3A	6.3 A	5/50	1307-80A	80 A	5/50
1307-7A	7 A	5/50	1307-100A	100 A	5/50
1307-8A	8 A	5/50	1307-120A	120 A	5/50
1307-10A	10 A	5/50	1307-125A	125 A	5/50
1307-12A	12 A	5/50	1307-150A	150 A	5/50
1307-15A	15 A	5/50			

▶ 1311 - 6.35 x 0.8 mm.

250 V



Art.	A		Art.	A	
1311-50mA	50 mA	5/50	1311-2A	2 A	5/50
1311-63mA	63 mA	5/50	1311-2.5A	2.5 A	5/50
1311-80mA	80 mA	5/50	1311-3.15A	3.15 A	5/50
1311-100mA	100 mA	5/50	1311-4A	4 A	5/50
1311-125mA	125 mA	5/50	1311-5A	5 A	5/50
1311-160mA	160 mA	5/50	1311-6.3A	6.3 A	5/50
1311-200mA	200 mA	5/50	1311-7A	7 A	5/50
1311-250mA	250 mA	5/50	1311-8A	8 A	5/50
1311-315mA	315 mA	5/50	1311-10A	10 A	5/50
1311-400mA	400 mA	5/50	1311-12A	12 A	5/50
1311-500mA	500 mA	5/50	1311-15A	15 A	5/50
1311-630mA	630 mA	5/50	1311-16A	16 A	5/50
1311-800mA	800 mA	5/50	1311-20A	20 A	5/50
1311-1A	1 A	5/50	1311-25A	25 A	5/50
1311-1.25A	1.25 A	5/50	1311-30A	30 A	5/50
1311-1.6A	1.6 A	5/50			

▶ 1313 - 4.8 x 0.8 mm.

250 V			Art.	A		Art.	A	
			1313-50mA	50 mA	5/50	1313-2A	2 A	5/50
			1313-63mA	63 mA	5/50	1313-2.5A	2.5 A	5/50
			1313-80mA	80 mA	5/50	1313-3.15A	3.15 A	5/50
			1313-100mA	100 mA	5/50	1313-4A	4 A	5/50
			1313-125mA	125 mA	5/50	1313-5A	5 A	5/50
			1313-160mA	160 mA	5/50	1313-6.3A	6.3 A	5/50
			1313-200mA	200 mA	5/50	1313-7A	7 A	5/50
			1313-250mA	250 mA	5/50	1313-8A	8 A	5/50
			1313-315mA	315 mA	5/50	1313-10A	10 A	5/50
			1313-400mA	400 mA	5/50	1313-12A	12 A	5/50
			1313-500mA	500 mA	5/50	1313-15A	15 A	5/50
			1313-630mA	630 mA	5/50	1313-16A	16 A	5/50
			1313-800mA	800 mA	5/50	1313-20A	20 A	5/50
			1313-1A	1 A	5/50	1313-25A	25 A	5/50
			1313-1.25A	1.25 A	5/50	1313-30A	30 A	5/50
			1313-1.6A	1.6 A	5/50			

▶ 1315 - 6.35 x 0.8 mm.

250 V			Art.	A		Art.	A	
			1315-50mA	50 mA	5/50	1315-2A	2 A	5/50
			1315-63mA	63 mA	5/50	1315-2.5A	2.5 A	5/50
			1315-80mA	80 mA	5/50	1315-3.15A	3.15 A	5/50
			1315-100mA	100 mA	5/50	1315-4A	4 A	5/50
			1315-125mA	125 mA	5/50	1315-5A	5 A	5/50
			1315-160mA	160 mA	5/50	1315-6.3A	6.3 A	5/50
			1315-200mA	200 mA	5/50	1315-7A	7 A	5/50
			1315-250mA	250 mA	5/50	1315-8A	8 A	5/50
			1315-315mA	315 mA	5/50	1315-10A	10 A	5/50
			1315-400mA	400 mA	5/50	1315-12A	12 A	5/50
			1315-500mA	500 mA	5/50	1315-15A	15 A	5/50
			1315-630mA	630 mA	5/50	1315-16A	16 A	5/50
			1315-800mA	800 mA	5/50	1315-20A	20 A	5/50
			1315-1A	1 A	5/50	1315-25A	25 A	5/50
			1315-1.25A	1.25 A	5/50	1315-30A	30 A	5/50
			1315-1.6A	1.6 A	5/50			

▶ 1317 - 4.8 x 0.8 mm.

250 V

Art.	A		Art.	A	
1317-50mA	50 mA	5/50	1317-2A	2 A	5/50
1317-63mA	63 mA	5/50	1317-2.5A	2.5 A	5/50
1317-80mA	80 mA	5/50	1317-3.15A	3.15 A	5/50
1317-100mA	100 mA	5/50	1317-4A	4 A	5/50
1317-125mA	125 mA	5/50	1317-5A	5 A	5/50
1317-160mA	160 mA	5/50	1317-6.3A	6.3 A	5/50
1317-200mA	200 mA	5/50	1317-7A	7 A	5/50
1317-250mA	250 mA	5/50	1317-8A	8 A	5/50
1317-315mA	315 mA	5/50	1317-10A	10 A	5/50
1317-400mA	400 mA	5/50	1317-12A	12 A	5/50
1317-500mA	500 mA	5/50	1317-15A	15 A	5/50
1317-630mA	630 mA	5/50	1317-16A	16 A	5/50
1317-800mA	800 mA	5/50	1317-20A	20 A	5/50
1317-1A	1 A	5/50	1317-25A	25 A	5/50
1317-1.25A	1.25 A	5/50	1317-30A	30 A	5/50
1317-1.6A	1.6 A	5/50			

▶ 1311

250 V

Art.	A		Art.	A	
1319-50mA	50 mA	5/50	1319-2A	2 A	5/50
1319-63mA	63 mA	5/50	1319-2.5A	2.5 A	5/50
1319-80mA	80 mA	5/50	1319-3.15A	3.15 A	5/50
1319-100mA	100 mA	5/50	1319-4A	4 A	5/50
1319-125mA	125 mA	5/50	1319-5A	5 A	5/50
1319-160mA	160 mA	5/50	1319-6.3A	6.3 A	5/50
1319-200mA	200 mA	5/50	1319-7A	7 A	5/50
1319-250mA	250 mA	5/50	1319-8A	8 A	5/50
1319-315mA	315 mA	5/50	1319-10A	10 A	5/50
1319-400mA	400 mA	5/50	1319-12A	12 A	5/50
1319-500mA	500 mA	5/50	1319-15A	15 A	5/50
1319-630mA	630 mA	5/50	1319-16A	16 A	5/50
1319-800mA	800 mA	5/50	1319-20A	20 A	5/50
1319-1A	1 A	5/50	1319-25A	25 A	5/50
1319-1.25A	1.25 A	5/50	1319-30A	30 A	5/50
1319-1.6A	1.6 A	5/50			

▶ 1306

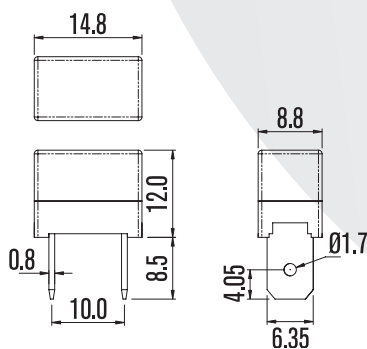
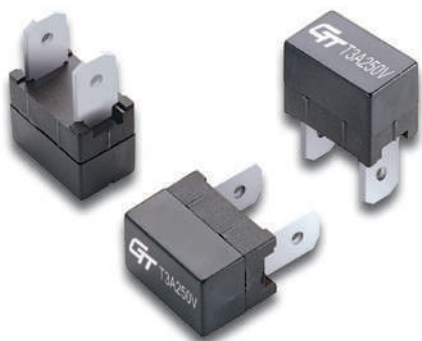
250 V	250 V			250 V		
	Art.	A		Art.	A	
 	1306-250mA	250 mA	5/50	1306-2.5A	2.5 A	5/50
	1306-300mA	300 mA	5/50	1306-3.5A	3.5 A	5/50
	1306-315mA	315 mA	5/50	1306-4A	4 A	5/50
	1306-350mA	350 mA	5/50	1306-5A	5 A	5/50
	1306-400mA	400 mA	5/50	1306-6A	6 A	5/50
	1306-500mA	500 mA	5/50	1306-6.3A	6.3 A	5/50
	1306-600mA	600 mA	5/50	1306-7A	7 A	5/50
	1306-630mA	630 mA	5/50	1306-7.5A	7.5 A	5/50
	1306-700mA	700 mA	5/50	1306-8A	8 A	5/50
	1306-750mA	750 mA	5/50	1306-10A	10 A	5/50
	1306-800mA	800 mA	5/50	1306-12A	12 A	5/50
	1306-1A	1 A	5/50	1306-15A	15 A	5/50
	1306-1.25A	1.25 A	5/50	1306-16A	16 A	5/50
	1306-1.5A	1.5 A	5/50	1306-20A	20 A	5/50
	1306-1.6A	1.6 A	5/50	1306-25A	25 A	5/50
	1306-2A	2 A	5/50	1306-30A	30 A	5/50

▶ 1308

250 V	250 V			250 V		
	Art.	A		Art.	A	
 	1308-800mA	800 mA	5/50	1308-12A	12 A	5/50
	1308-1A	1 A	5/50	1308-15A	15 A	5/50
	1308-1.25A	1.25 A	5/50	1308-16A	16 A	5/50
	1308-1.5A	1.5 A	5/50	1308-20A	20 A	5/50
	1308-1.6A	1.6 A	5/50	1308-25A	25 A	5/50
	1308-2A	2 A	5/50	1308-30A	30 A	5/50
	1308-2.5A	2.5 A	5/50	1308-35A	35 A	5/50
	1308-3A	3 A	5/50	1308-40A	40 A	5/50
	1308-3.15A	3.15 A	5/50	1308-45A	45 A	5/50
	1308-3.5A	3.5 A	5/50	1308-50A	50 A	5/50
	1308-4A	4 A	5/50	1308-60A	60 A	5/50
	1308-5A	5 A	5/50	1308-70A	70 A	5/50
	1308-6A	6 A	5/50	1308-80A	80 A	5/50
	1308-6.3A	6.3 A	5/50	1308-100A	100 A	5/50
	1308-7A	7 A	5/50	1308-120A	120 A	5/50
	1308-7.5A	7.5 A	5/50	1308-125A	125 A	5/50
	1308-8A	8 A	5/50	1308-130A	130 A	5/50
	1308-10A	10 A	5/50	1308-150A	150 A	5/50

▶ 1312 - 6.35 x 0.8 mm.

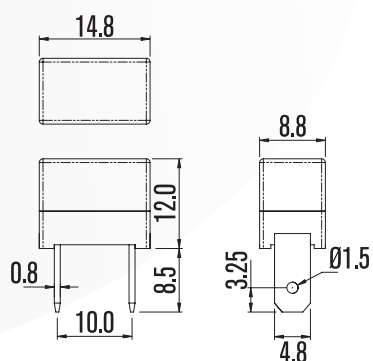
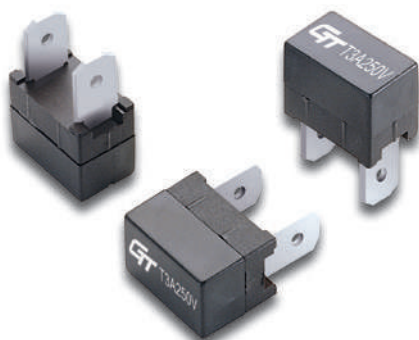
250 V



Art.	A		Art.	A	
1312-50mA	50 mA	5/50	1312-1.5A	1.5 A	5/50
1312-60mA	60 mA	5/50	1312-1.6A	1.6 A	5/50
1312-63mA	63 mA	5/50	1312-2A	2 A	5/50
1312-80mA	80 mA	5/50	1312-2.5A	2.5 A	5/50
1312-100mA	100 mA	5/50	1312-3A	3 A	5/50
1312-125mA	125 mA	5/50	1312-3.15A	3.15 A	5/50
1312-150mA	150 mA	5/50	1312-3.5A	3.5 A	5/50
1312-160mA	160 mA	5/50	1312-4A	4 A	5/50
1312-200mA	200 mA	5/50	1312-5A	5 A	5/50
1312-250mA	250 mA	5/50	1312-6A	6 A	5/50
1312-300mA	300 mA	5/50	1312-6.3A	6.3 A	5/50
1312-315mA	315 mA	5/50	1312-7A	7 A	5/50
1312-350mA	350 mA	5/50	1312-7.5A	7.5 A	5/50
1312-400mA	400 mA	5/50	1312-8A	8 A	5/50
1312-500mA	500 mA	5/50	1312-10A	10 A	5/50
1312-600mA	600 mA	5/50	1312-12A	12 A	5/50
1312-630mA	630 mA	5/50	1312-15A	15 A	5/50
1312-700mA	700 mA	5/50	1312-16A	16 A	5/50
1312-750mA	750 mA	5/50	1312-20A	20 A	5/50
1312-800mA	800 mA	5/50	1312-25A	25 A	5/50
1312-1A	1 A	5/50	1312-30A	30 A	5/50
1312-1.25A	1.25 A	5/50			

▶ 1314 - 4.8 x 0.8 mm.

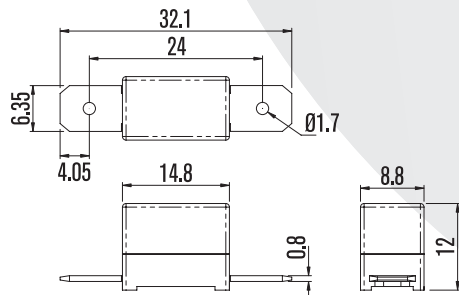
250 V



Art.	A		Art.	A	
1314-50mA	50 mA	5/50	1314-1.5A	1.5 A	5/50
1314-60mA	60 mA	5/50	1314-1.6A	1.6 A	5/50
1314-63mA	63 mA	5/50	1314-2A	2 A	5/50
1314-80mA	80 mA	5/50	1314-2.5A	2.5 A	5/50
1314-100mA	100 mA	5/50	1314-3A	3 A	5/50
1314-125mA	125 mA	5/50	1314-3.15A	3.15 A	5/50
1314-150mA	150 mA	5/50	1314-3.5A	3.5 A	5/50
1314-160mA	160 mA	5/50	1314-4A	4 A	5/50
1314-200mA	200 mA	5/50	1314-5A	5 A	5/50
1314-250mA	250 mA	5/50	1314-6A	6 A	5/50
1314-300mA	300 mA	5/50	1314-6.3A	6.3 A	5/50
1314-315mA	315 mA	5/50	1314-7A	7 A	5/50
1314-350mA	350 mA	5/50	1314-7.5A	7.5 A	5/50
1314-400mA	400 mA	5/50	1314-8A	8 A	5/50
1314-500mA	500 mA	5/50	1314-10A	10 A	5/50
1314-600mA	600 mA	5/50	1314-12A	12 A	5/50
1314-630mA	630 mA	5/50	1314-15A	15 A	5/50
1314-700mA	700 mA	5/50	1314-16A	16 A	5/50
1314-750mA	750 mA	5/50	1314-20A	20 A	5/50
1314-800mA	800 mA	5/50	1314-25A	25 A	5/50
1314-1A	1 A	5/50	1314-30A	30 A	5/50
1314-1.25A	1.25 A	5/50			

▶ 1316 - 6.35 x 0.8 mm.

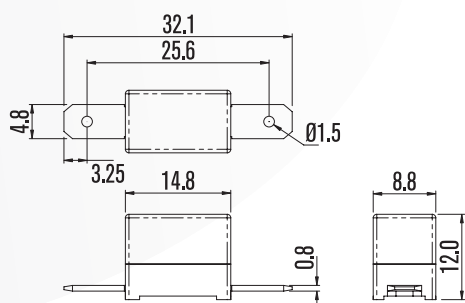
250 V



Art.	A		Art.	A	
1316-50mA	50 mA	5/50	1316-1.5A	1.5 A	5/50
1316-60mA	60 mA	5/50	1316-1.6A	1.6 A	5/50
1316-63mA	63 mA	5/50	1316-2A	2 A	5/50
1316-80mA	80 mA	5/50	1316-2.5A	2.5 A	5/50
1316-100mA	100 mA	5/50	1316-3A	3 A	5/50
1316-125mA	125 mA	5/50	1316-3.15A	3.15 A	5/50
1316-150mA	150 mA	5/50	1316-3.5A	3.5 A	5/50
1316-160mA	160 mA	5/50	1316-4A	4 A	5/50
1316-200mA	200 mA	5/50	1316-5A	5 A	5/50
1316-250mA	250 mA	5/50	1316-6A	6 A	5/50
1316-300mA	300 mA	5/50	1316-6.3A	6.3 A	5/50
1316-315mA	315 mA	5/50	1316-7A	7 A	5/50
1316-350mA	350 mA	5/50	1316-7.5A	7.5 A	5/50
1316-400mA	400 mA	5/50	1316-8A	8 A	5/50
1316-500mA	500 mA	5/50	1316-10A	10 A	5/50
1316-600mA	600 mA	5/50	1316-12A	12 A	5/50
1316-630mA	630 mA	5/50	1316-15A	15 A	5/50
1316-700mA	700 mA	5/50	1316-16A	16 A	5/50
1316-750mA	750 mA	5/50	1316-20A	20 A	5/50
1316-800mA	800 mA	5/50	1316-25A	25 A	5/50
1316-1A	1 A	5/50	1316-30A	30 A	5/50
1316-1.25A	1.25 A	5/50			

▶ 1318 - 4.8 x 0.8 mm.

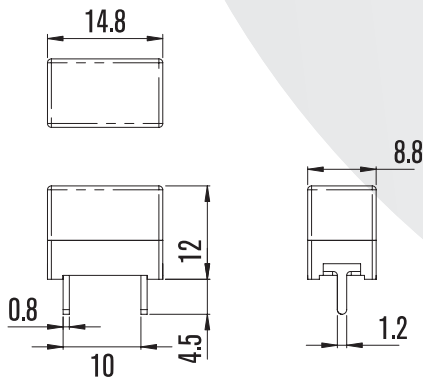
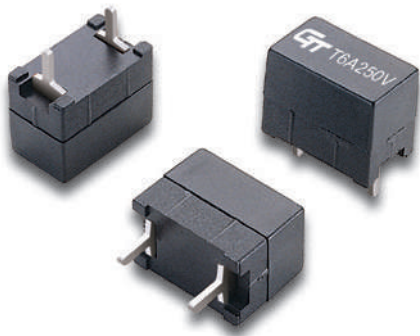
250 V



Art.	A		Art.	A	
1318-50mA	50 mA	5/50	1318-1.5A	1.5 A	5/50
1318-63mA	63 mA	5/50	1318-1.6A	1.6 A	5/50
1318-80mA	80 mA	5/50	1318-2A	2 A	5/50
1318-100mA	100 mA	5/50	1318-2.5A	2.5 A	5/50
1318-125mA	125 mA	5/50	1318-3A	3 A	5/50
1318-150mA	150 mA	5/50	1318-3.15A	3.15 A	5/50
1318-160mA	160 mA	5/50	1318-3.5A	3.5 A	5/50
1318-200mA	200 mA	5/50	1318-4A	4 A	5/50
1318-250mA	250 mA	5/50	1318-5A	5 A	5/50
1318-300mA	300 mA	5/50	1318-6A	6 A	5/50
1318-315mA	315 mA	5/50	1318-6.3A	6.3 A	5/50
1318-350mA	350 mA	5/50	1318-7A	7 A	5/50
1318-400mA	400 mA	5/50	1318-7.5A	7.5 A	5/50
1318-500mA	500 mA	5/50	1318-8A	8 A	5/50
1318-600mA	600 mA	5/50	1318-10A	10 A	5/50
1318-630mA	630 mA	5/50	1318-12A	12 A	5/50
1318-700mA	700 mA	5/50	1318-15A	15 A	5/50
1318-750mA	750 mA	5/50	1318-16A	16 A	5/50
1318-800mA	800 mA	5/50	1318-20A	20 A	5/50
1318-1A	1 A	5/50	1318-25A	25 A	5/50
1318-1.25A	1.25 A	5/50	1318-30A	30 A	5/50

▶ 1320

250 V



Art.	A		Art.	A	
1320-50mA	50 mA	5/50	1320-1.5A	1.5 A	5/50
1320-63mA	63 mA	5/50	1320-1.6A	1.6 A	5/50
1320-80mA	80 mA	5/50	1320-2A	2 A	5/50
1320-100mA	100 mA	5/50	1320-2.5A	2.5 A	5/50
1320-125mA	125 mA	5/50	1320-3A	3 A	5/50
1320-150mA	150 mA	5/50	1320-3.15A	3.15 A	5/50
1320-160mA	160 mA	5/50	1320-3.5A	3.5 A	5/50
1320-200mA	200 mA	5/50	1320-4A	4 A	5/50
1320-250mA	250 mA	5/50	1320-5A	5 A	5/50
1320-300mA	300 mA	5/50	1320-6A	6 A	5/50
1320-315mA	315 mA	5/50	1320-6.3A	6.3 A	5/50
1320-350mA	350 mA	5/50	1320-7A	7 A	5/50
1320-400mA	400 mA	5/50	1320-7.5A	7.5 A	5/50
1320-500mA	500 mA	5/50	1320-8A	8 A	5/50
1320-600mA	600 mA	5/50	1320-10A	10 A	5/50
1320-630mA	630 mA	5/50	1320-12A	12 A	5/50
1320-700mA	700 mA	5/50	1320-15A	15 A	5/50
1320-750mA	750 mA	5/50	1320-16A	16 A	5/50
1320-800mA	800 mA	5/50	1320-20A	20 A	5/50
1320-1A	1 A	5/50	1320-25A	25 A	5/50
1320-1.25A	1.25 A	5/50	1320-30A	30 A	5/50

▶ **1701** Fusión rápida / Fusion rapide / Fast acting / Azione rapida / Schnell Wirkende / Fusão rápida / Fusió ràpida

	250 V						
		Art.	A		Art.	A	
		1701-50mA	50 mA	5/50	1701-1A	1 A	5/50
		1701-63mA	63 mA	5/50	1701-1.25A	1.25 A	5/50
		1701-80mA	80 mA	5/50	1701-1.6A	1.6 A	5/50
		1701-100mA	100 mA	5/50	1701-2A	2 A	5/50
		1701-125mA	125 mA	5/50	1701-2.5A	2.5 A	5/50
		1701-160mA	160 mA	5/50	1701-3.15A	3.15 A	5/50
		1701-200mA	200 mA	5/50	1701-4A	4 A	5/50
		1701-250mA	250 mA	5/50	1701-5A	5 A	5/50
		1701-315mA	315 mA	5/50	1701-6.3A	6.3 A	5/50
		1701-400mA	400 mA	5/50	1701-7A	7 A	5/50
		1701-500mA	500 mA	5/50	1701-8A	8 A	5/50
		1701-630mA	630 mA	5/50	1701-10A	10 A	5/50
		1701-800mA	800 mA	5/50			

▶ **1702** Fusión lenta / Fusion lente / Slow Blow / Fusione lenta / Langsamer Schlag / Lentos / Fusió lenta

	250 V						
		Art.	A		Art.	A	
		1702-50mA	50 mA	5/50	1702-1A	1 A	5/50
		1702-63mA	63 mA	5/50	1702-1.25A	1.25 A	5/50
		1702-80mA	80 mA	5/50	1702-1.6A	1.6 A	5/50
		1702-100mA	100 mA	5/50	1702-2A	2 A	5/50
		1702-125mA	125 mA	5/50	1702-2.5A	2.5 A	5/50
		1702-160mA	160 mA	5/50	1702-3.15A	3.15 A	5/50
		1702-200mA	200 mA	5/50	1702-4A	4 A	5/50
		1702-250mA	250 mA	5/50	1702-5A	5 A	5/50
		1702-315mA	315 mA	5/50	1702-6.3A	6.3 A	5/50
		1702-400mA	400 mA	5/50	1702-7A	7 A	5/50
		1702-500mA	500 mA	5/50	1702-8A	8 A	5/50
		1702-630mA	630 mA	5/50	1702-10A	10 A	5/50
		1702-800mA	800 mA	5/50			

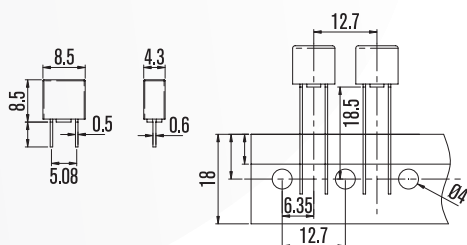
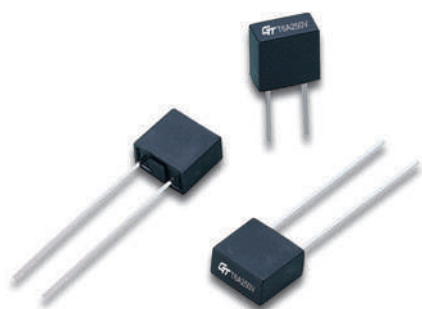
1711 Fusión rápida / Fusion rapide / Fast acting / Azione rapida / Schnell Wirkende / Fusão rápida / Fusió ràpida

	250 V	Art.			A		
		Art.	A		Art.	A	
		1711-50mA	50 mA	5/50	1711-1A	1 A	5/50
		1711-63mA	63 mA	5/50	1711-1.25A	1.25 A	5/50
		1711-80mA	80 mA	5/50	1711-1.6A	1.6 A	5/50
		1711-100mA	100 mA	5/50	1711-2A	2 A	5/50
		1711-125mA	125 mA	5/50	1711-2.5A	2.5 A	5/50
		1711-160mA	160 mA	5/50	1711-3.15A	3.15 A	5/50
		1711-200mA	200 mA	5/50	1711-4A	4 A	5/50
		1711-250mA	250 mA	5/50	1711-5A	5 A	5/50
		1711-315mA	315 mA	5/50	1711-6.3A	6.3 A	5/50
		1711-400mA	400 mA	5/50	1711-7A	7 A	5/50
		1711-500mA	500 mA	5/50	1711-8A	8 A	5/50
		1711-630mA	630 mA	5/50	1711-10A	10 A	5/50
		1711-800mA	800 mA	5/50			

1712 Fusión lenta / Fusion lente / Slow Blow / Fusione lenta / Langsamer Schlag / Lentos / Fusió lenta

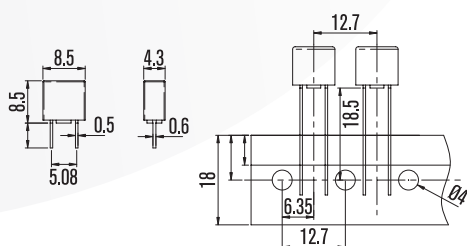
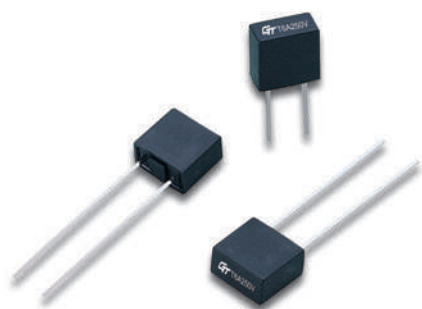
	250 V	Art.			A		
		Art.	A		Art.	A	
		1712-50mA	50 mA	5/50	1712-1A	1 A	5/50
		1712-63mA	63 mA	5/50	1712-1.25A	1.25 A	5/50
		1712-80mA	80 mA	5/50	1712-1.6A	1.6 A	5/50
		1712-100mA	100 mA	5/50	1712-2A	2 A	5/50
		1712-125mA	125 mA	5/50	1712-2.5A	2.5 A	5/50
		1712-160mA	160 mA	5/50	1712-3.15A	3.15 A	5/50
		1712-200mA	200 mA	5/50	1712-4A	4 A	5/50
		1712-250mA	250 mA	5/50	1712-5A	5 A	5/50
		1712-315mA	315 mA	5/50	1712-6.3A	6.3 A	5/50
		1712-400mA	400 mA	5/50	1712-7A	7 A	5/50
		1712-500mA	500 mA	5/50	1712-8A	8 A	5/50
		1712-630mA	630 mA	5/50	1712-10A	10 A	5/50
		1712-800mA	800 mA	5/50			

1703 Fusión rápida / Fusion rapide / Fast acting / Azione rapida / Schnell Wirkende / Fusão rápida / Fusió ràpida

250 V


Art.	A		Art.	A	
1703-50mA	50 mA	5/50	1703-800mA	800 mA	5/50
1703-60mA	60 mA	5/50	1703-1A	1 A	5/50
1703-63mA	63 mA	5/50	1703-1.25A	1.25 A	5/50
1703-80mA	80 mA	5/50	1703-1.5A	1.5 A	5/50
1703-100mA	100 mA	5/50	1703-1.6A	1.6 A	5/50
1703-125mA	125 mA	5/50	1703-2A	2 A	5/50
1703-160mA	160 mA	5/50	1703-2.5A	2.5 A	5/50
1703-200mA	200 mA	5/50	1703-3A	3 A	5/50
1703-250mA	250 mA	5/50	1703-3.15A	3.15 A	5/50
1703-300mA	300 mA	5/50	1703-3.5A	3.5 A	5/50
1703-315mA	315 mA	5/50	1703-4A	4 A	5/50
1703-400mA	400 mA	5/50	1703-5A	5 A	5/50
1703-500mA	500 mA	5/50	1703-6.3A	6.3 A	5/50
1703-600mA	600 mA	5/50	1703-7A	7 A	5/50
1703-630mA	630 mA	5/50	1703-8A	8 A	5/50
1703-700mA	700 mA	5/50	1703-10A	10 A	5/50

1704 Fusión lenta / Fusion lente / Slow Blow / Fusione lenta / Langsamer Schlag / Lentos / Fusió lenta

250 V


Art.	A		Art.	A	
1704-50mA	50 mA	5/50	1704-800mA	800 mA	5/50
1704-60mA	60 mA	5/50	1704-1A	1 A	5/50
1704-63mA	63 mA	5/50	1704-1.25A	1.25 A	5/50
1704-80mA	80 mA	5/50	1704-1.5A	1.5 A	5/50
1704-100mA	100 mA	5/50	1704-1.6A	1.6 A	5/50
1704-125mA	125 mA	5/50	1704-2A	2 A	5/50
1704-160mA	160 mA	5/50	1704-2.5A	2.5 A	5/50
1704-200mA	200 mA	5/50	1704-3A	3 A	5/50
1704-250mA	250 mA	5/50	1704-3.15A	3.15 A	5/50
1704-300mA	300 mA	5/50	1704-3.5A	3.5 A	5/50
1704-315mA	315 mA	5/50	1704-4A	4 A	5/50
1704-400mA	400 mA	5/50	1704-5A	5 A	5/50
1704-500mA	500 mA	5/50	1704-6.3A	6.3 A	5/50
1704-600mA	600 mA	5/50	1704-7A	7 A	5/50
1704-630mA	630 mA	5/50	1704-8A	8 A	5/50
1704-700mA	700 mA	5/50	1704-10A	10 A	5/50

1713 Fusión rápida / Fusion rapide / Fast acting / Azione rapida / Schnell Wirkende / Fusão rápida / Fusió ràpida

	250 V	Art.			A		
		Art.	A		Art.	A	
		1713-50mA	50 mA	5/50	1713-800mA	800 mA	5/50
		1713-60mA	60 mA	5/50	1713-1A	1 A	5/50
		1713-63mA	63 mA	5/50	1713-1.25A	1.25 A	5/50
		1713-80mA	80 mA	5/50	1713-1.5A	1.5 A	5/50
		1713-100mA	100 mA	5/50	1713-1.6A	1.6 A	5/50
		1713-125mA	125 mA	5/50	1713-2A	2 A	5/50
		1713-160mA	160 mA	5/50	1713-2.5A	2.5 A	5/50
		1713-200mA	200 mA	5/50	1713-3A	3 A	5/50
		1713-250mA	250 mA	5/50	1713-3.15A	3.15 A	5/50
		1713-300mA	300 mA	5/50	1713-3.5A	3.5 A	5/50
		1713-315mA	315 mA	5/50	1713-4A	4 A	5/50
		1713-400mA	400 mA	5/50	1713-5A	5 A	5/50
		1713-500mA	500 mA	5/50	1713-6.3A	6.3 A	5/50
		1713-600mA	600 mA	5/50	1713-7A	7 A	5/50
		1713-630mA	630 mA	5/50	1713-8A	8 A	5/50
		1713-700mA	700 mA	5/50	1713-10A	10 A	5/50

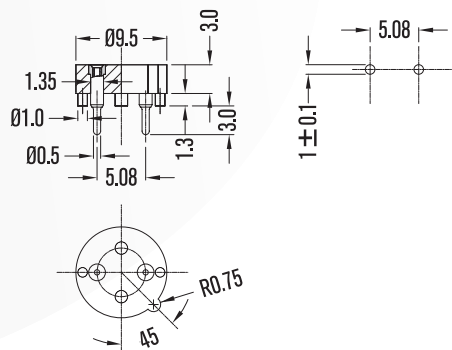
1714 Fusión lenta / Fusion lente / Slow Blow / Fusione lenta / Langsamer Schlag / Lentos / Fusió lenta

	250 V	Art.			A		
		Art.	A		Art.	A	
		1714-50mA	50 mA	5/50	1714-800mA	800 mA	5/50
		1714-60mA	60 mA	5/50	1714-1A	1 A	5/50
		1714-63mA	63 mA	5/50	1714-1.25A	1.25 A	5/50
		1714-80mA	80 mA	5/50	1714-1.5A	1.5 A	5/50
		1714-100mA	100 mA	5/50	1714-1.6A	1.6 A	5/50
		1714-125mA	125 mA	5/50	1714-2A	2 A	5/50
		1714-160mA	160 mA	5/50	1714-2.5A	2.5 A	5/50
		1714-200mA	200 mA	5/50	1714-3A	3 A	5/50
		1714-250mA	250 mA	5/50	1714-3.15A	3.15 A	5/50
		1714-300mA	300 mA	5/50	1714-3.5A	3.5 A	5/50
		1714-315mA	315 mA	5/50	1714-4A	4 A	5/50
		1714-400mA	400 mA	5/50	1714-5A	5 A	5/50
		1714-500mA	500 mA	5/50	1714-6.3A	6.3 A	5/50
		1714-600mA	600 mA	5/50	1714-7A	7 A	5/50
		1714-630mA	630 mA	5/50	1714-8A	8 A	5/50
		1714-700mA	700 mA	5/50	1714-10A	10 A	5/50



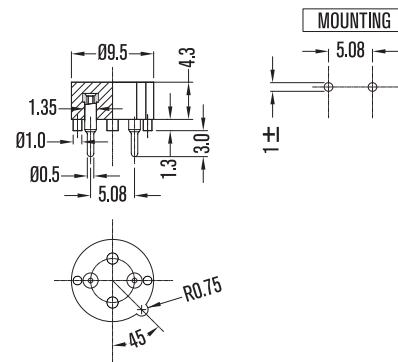
Para / Pour / For / Per / Für / Para / Per a: SUBfus 1711, 1712, 1713, 1714

250 V / 1,6 W



Art.	M	A	
03.1816-01	Thermoplastic	6,3 A	5/50

250 V / 1,6 W



Art.	M	A	
03.1816-02	Thermoplastic	6,3 A	5/50

Portafusibles para panel / Porte-fusibles à panneau /

Panel fuse holders / Portafusibili da pannello / Einbau-Sicherungshalter / Porta-fusíveis para painel / Portafusibles per a panel



Para / Pour / For / Per / Für / Para / Per a: 5x20



250 V

Art. 03.500-1

M Thermoplastic
A 10 A

25/250

250 V

Art. 03.503-1

M Thermoplastic
A 10 A

25/250

250 V

Art. 03.504-1

M Thermoplastic
A 10 A

25/250

250 V

Art. 03.505-1

M Thermoplastic
A 6,3 A

25/250

250 V

Art. 03.507-1

M Thermoplastic
A 10 A

25/250

250 V

Art. 03.508-1

M Thermoplastic
A 10 A

25/250

250 V

Art. 03.509-1

M Thermoplastic
A 10 A

25/250

250 V

Art. 03.510-1

M Thermoplastic
A 6,3 A

25/250



Portafusibles CI

Porte-fusibles CI / PCB Fuseholders / Portafusibili CS / Sicherungshalter für Leiterplatte / Porta-fusíveis CI / Portafusibles CI

Para / Pour / For / Per / Für / Para / Per a: 5x20



250 V



Art. 03.520-1

M Thermoplastic
A 10 A

25/250

250 V



Art. 03.521-1

M Thermoplastic
A 10 A

25/250

250 V



Art. 03.522-1

M Thermoplastic
A 6,3 A

25/250

Portafusibles para panel / Porte-fusibles à panneau /

Panel fuse holders / Portafusibili da pannello / Einbau-Sicherungshalter / Porta-fusíveis para painel / Portafusibles per a panel



Para / Pour / For / Per / Für / Para / Per a: 6,3x30 y 6,3x32



250 V



Art. 03.530-1

M Thermoplastic
A 10 A

 25/250



250 V



Art. 03.531-1

M Thermoplastic
A 10 A

 25/250



250 V



Art. 03.532-1

M Thermoplastic
A 10 A

 25/250



250 V



Art. 03.533-1

M Thermoplastic
A 6,3 A

 25/250



250 V



Art. 03.536-1

M Thermoplastic
A 10 A

 25/250



250 V



Art. 03.538-1

M Thermoplastic
A 10 A

 25/250



250 V



Art. 03.539-1

M Thermoplastic
A 10 A

 25/250

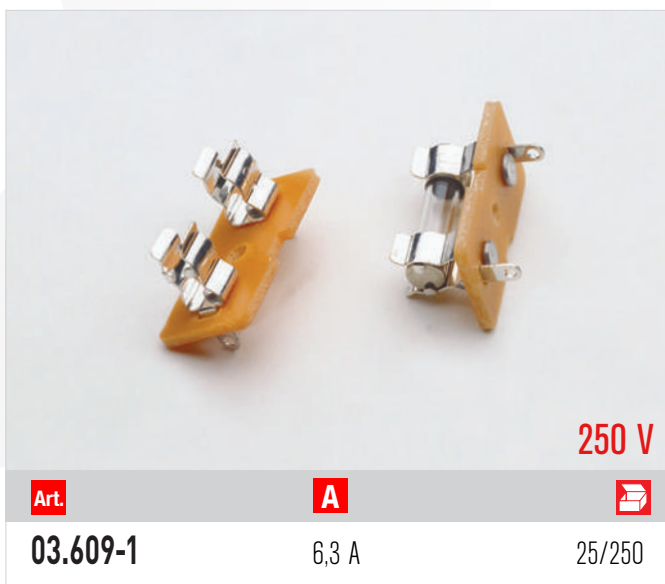
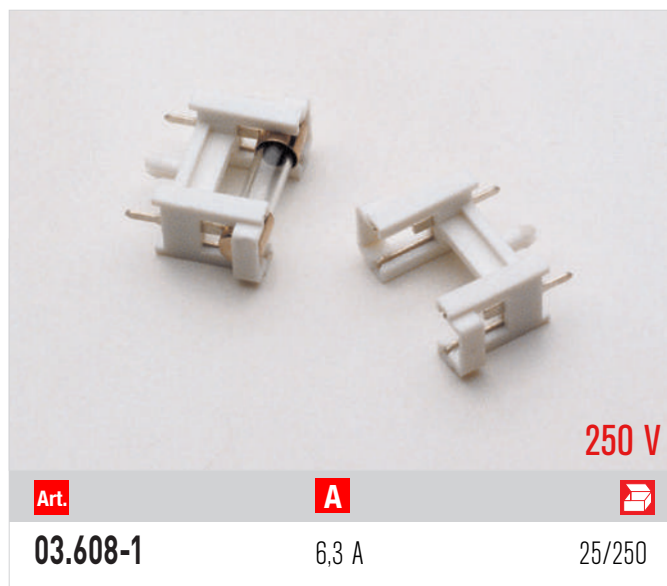
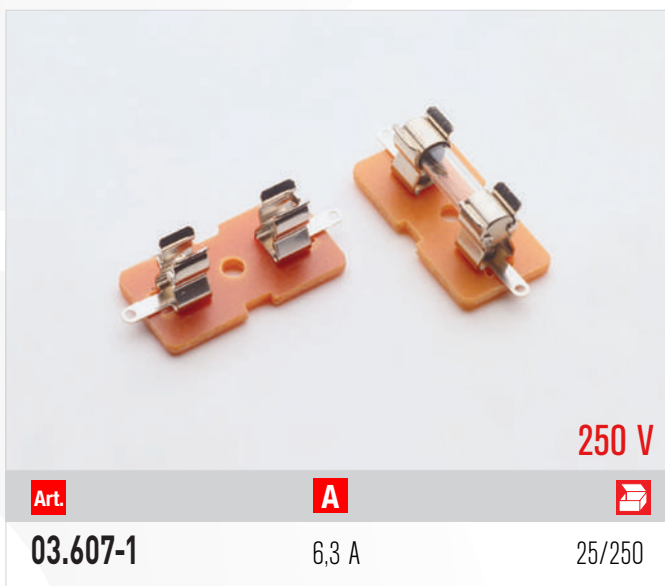
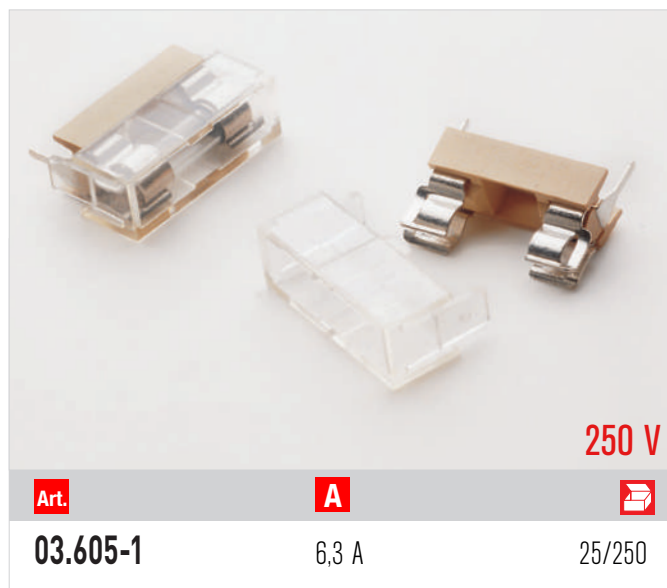
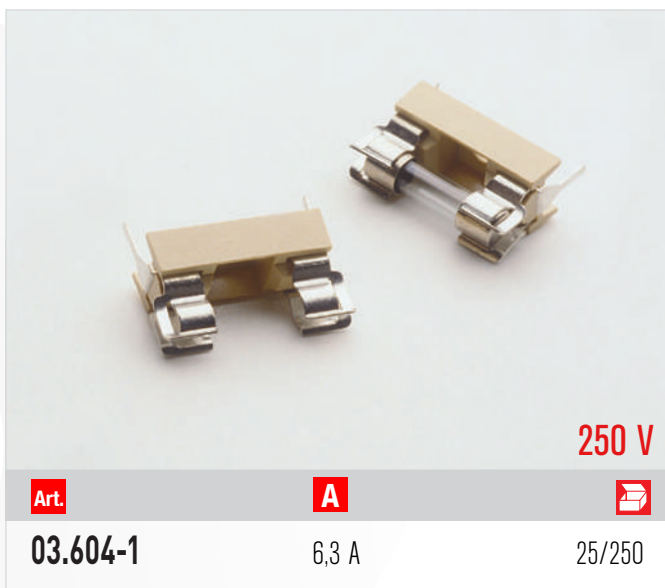




Portafusibles CI

Porte-fusibles CI / PCB Fuseholders / Portafusibili CS / Sicherungshalter für Leiterplatte / Porta-fusíveis CI / Portafusibles CI

Para / Pour / For / Per / Für / Para / Per a: 5x20



INDUSTRIA & ELECTRÓNICA

Portafusibles CI

Porte-fusibles CI / PCB Fuseholders / Portafusibili CS / Sicherungshalter für Leiterplatte / Porta-fusíveis CI / Portafusibles CI



Para / Pour / For / Per / Für / Para / Per a: 6,3x32



250 V

Art.	A	
03.620-1	6,3 A	25/250

250 V

Art.	A	
03.624-1	30 A	25/250

250 V

Art.	A	
03.622-1	6,3 A	25/250

250 V

Art.	A	
03.625-1	30 A	25/250

250 V

Art.	A	
03.629-1	30 A	25/250

250 V

Art.	A	
03.621-1	6,3 A	25/250

250 V

Art.	A	
03.630-1	30 A	25/250

INDUSTRIA & ELECTRÓNICA



Clips portafusibles

Clips de fusible / Fuse clips / Clip fusibile / Sicherungsclips / Clips portafusibles / Clips portafusibles

Para / Pour / For / Per / Für / Para / Per a: 5x20



	Art. 03.650-1
M CuSn	
A 10	
25/250	

	Art. 03.651-1
M CuSn	
A 15	
25/250	

	Art. 03.652-1
M CuSn	
A 10	
25/250	

	Art. 03.653-1
M CuZn30	
A 10	
25/250	

	Art. 03.654-1
M CuZn30	
A 10	
25/250	

	Art. 03.655-1
M CuZn30	
A 15	
25/250	

	Art. 03.656-1
M CuZn30	
A 10	
25/250	

	Art. 03.657-1
M CuZn30	
A 10	
25/250	

	Art. 03.658-1
M CuSn	
A 5	
25/250	

Para / Pour / For / Per / Für / Para / Per a: 6,3x32



	Art. 03.672-1
M CuSn	
25/250	

	Art. 03.674-1
M CuZn30	
25/250	

	Art. 03.675-1
M CuZn30	
25/250	

	Art. 03.676-1
M CuZn30	
25/250	

	Art. 03.677-1
M CuSn	
25/250	

INDUSTRIA & ELECTRÓNICA

Clips portafusibles

Clips de fusible / Fuse clips / Clip fusibile / Sicherungsclips / Clipes portafusibles / Clips portafusibles



Para / Pour / For / Per / Für / Para / Per a: 10,3



	Art. 03.714-1
	M CuZn30
	A 30
	25/250



Art. CS-FU

310 x 245 x 52 mm.



Art. CS-FU-2

240 x 180 x 40 mm.

Art.		Art.	
03.45.075-0	25	03.138-0	2
03.45.10-0	25	03.07660-0	4
03.45.15-0	25	03.26.0200-1	25
03.45.20-0	25	03.70.30-0	2
03.45.25-0	25	03.70.50-0	2
03.111-0	2	03.70.80-0	2
03.50.30-0	5	03.71.30-0	2
03.50.50-0	5	03.71.50-0	2
03.50.70-0	5	03.71.80-0	2
03.50.100-0	5	CS-FU-V	1

Art.		Art.	
03.40.05-0	25	03.30.25-0	25
03.40.075-0	25	26-2	25
03.40.10-0	25	03.45.075-0	25
03.40.15-0	25	03.45.10-0	25
03.40.20-0	25	03.45.15-0	25
03.40.25-0	25	03.45.20-0	25
03.40.30-0	25	03.45.25-0	25
03.30.05-0	25	03.45.30-0	25
03.30.08-0	25	CS-TR-V	1
03.30.16-0	25		



Art. CS-FU-LED

240 x 180 x 40 mm.



Art. CS-FU-RE-1

170 x 150 x 30 mm.

Art.		Art.	
03.45L.03-0	3	03.40L.03-0	3
03.45L.04-0	3	03.40L.04-0	3
03.45L.05-0	3	03.40L.05-0	3
03.45L.075-0	3	03.40L.075-0	3
03.45L.10-0	5	03.40L.10-0	5
03.45L.15-0	5	03.40L.15-0	5
03.45L.20-0	5	03.40L.20-0	5
03.45L.25-0	3	03.40L.25-0	3
03.45L.30-0	3	03.40L.30-0	3

Art.		Art.	
03.45RA-10-0	1	03.45RM-10-0	1
03.45RA-15-0	1	03.45RM-15-0	1
03.45RA-20-0	1	03.45RM-20-0	1
03.45RA-25-0	1	03.45RM-25-0	1
03.45RA-30-0	1	03.45RM-30-0	1
03.40RA-06-0	1	03.40RM-06-0	1
03.40RA-08-0	1	03.40RM-08-0	1
03.40RA-10-0	1	03.40RM-10-0	1
03.40RA-15-0	1	03.40RM-15-0	1
03.40RA-20-0	1	03.40RM-20-0	1
03.40RA-25-0	1	03.40RM-25-0	1
03.40RA-30-0	1	03.40RM-30-0	1



Art. CS-FU-RE-2

170 x 150 x 30 mm.

Art.		Art.	
03.45RA-10-0	1	03.45RM-10-0	1
03.45RA-15-0	1	03.45RM-15-0	1
03.45RA-20-0	1	03.45RM-20-0	1
03.45RA-25-0	1	03.45RM-25-0	1
03.45RA-30-0	1	03.45RM-30-0	1
03.40RA-06-0	1	03.40RM-06-0	1
03.40RA-08-0	1	03.40RM-08-0	1
03.40RA-10-0	2	03.40RM-10-0	2
03.40RA-15-0	2	03.40RM-15-0	2
03.40RA-20-0	2	03.40RM-20-0	2
03.40RA-25-0	1	03.40RM-25-0	1
03.40RA-30-0	1	03.40RM-30-0	1



Art. CS-47-A

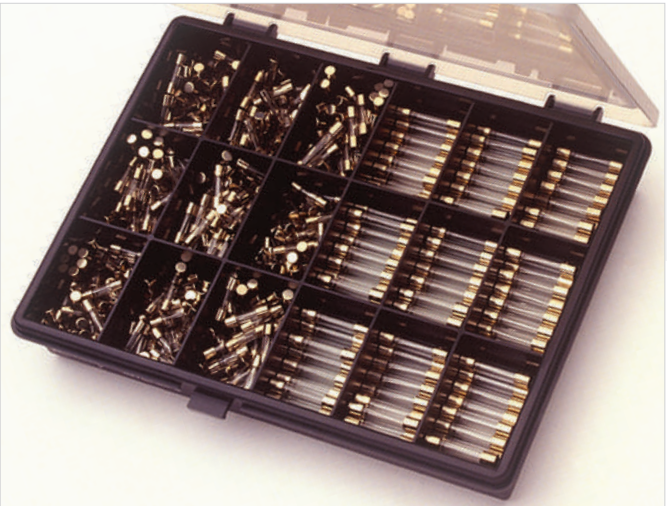
175 x 143 x 32 mm.

Art.		Art.	
03.40L-075-0	3	03.47-075-0	15
03.40L-15-0	3	03.47-10-0	15
03.40L-20-0	3	03.47-15-0	15
03.40L-25-0	3	03.47-20-0	15
03.40L-35-0	3	03.47-25-0	15
03.47-05-0	15	03.47-30-0	15



Art. CS-47-A1

170 x 150 x 30 mm.



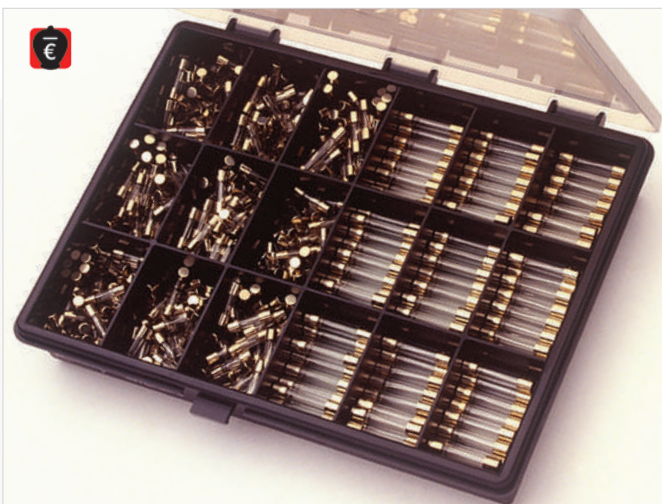
Art. CS-FU-3

240 x 180 x 40 mm.



Art.		Art.	
03.47-02-0	5	03.47-15-0	15
03.47-03-0	5	03.47-20-0	15
03.47-04-0	5	03.47-25-0	10
03.47-05-0	5	03.47-30-0	10
03.47-075-0	15	03.202-0-NG	1
03.47-10-0	15		

Art.		Art.	
5x20 mm.		6,3x32 mm.	
03.26.500-1	50	03.35.500-1	25
03.26.0100-1	50	03.35.0100-1	25
03.26.0200-1	50	03.35.0200-1	25
03.26.0300-1	50	03.35.0300-1	25
03.26.0400-1	50	03.35.0400-1	25
03.26.0500-1	50	03.35.0500-1	25
03.26.0600-1	50	03.35.0600-1	25
03.26.0800-1	50	03.35.0800-1	25
03.26.1000-1	50	03.35.1000-1	25



Art. CS-FU-3E

240 x 180 x 40 mm.

Art. 5x20 mm.



Art. 6,3x32 mm.



26-500

50

35-500

25

26-1

50

35-1

25

26-2

50

35-2

25

26-3

50

35-3

25

26-4

50

35-4

25

26-5

50

35-5

25

26-6

50

35-6

25

26-8

50

35-8

25

26-10

50

35-10

25

CS-TR-V

1



Art. CS-FU-GB

Art.



Art.



03.40.075-0

25

03.40.20-0

25

03.40.10-0

25

03.40.25-0

20

03.40.15-0

20

03.40.30-0

20

CS-FU-GB

1

Otras composiciones posibles bajo demanda / Autres compositions possibles sure demande

Other possible compositions on demand / Altre possibili composizioni su richiesta

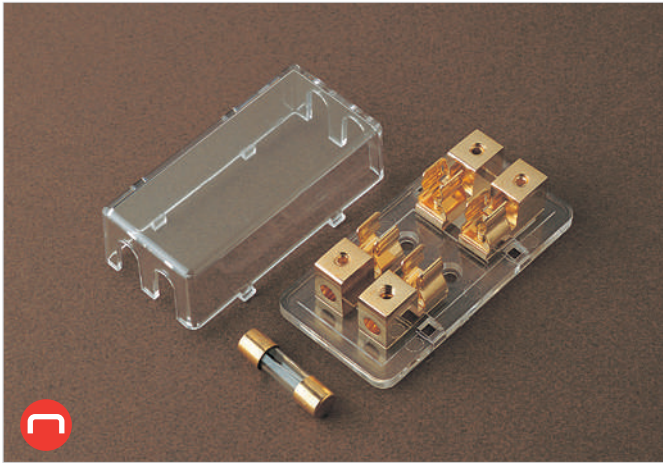
Andere mögliche Kompositionen auf Anfrage / Outras composições possíveis sob demanda

Altres composicions possibles sota demanda





Para / Pour / For / Per / Für / Para / Per a: 03.AUE...

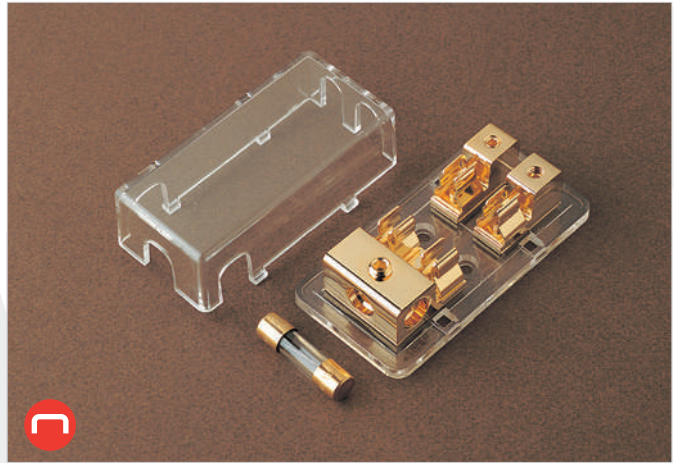


Art.

03.900-0



1/10

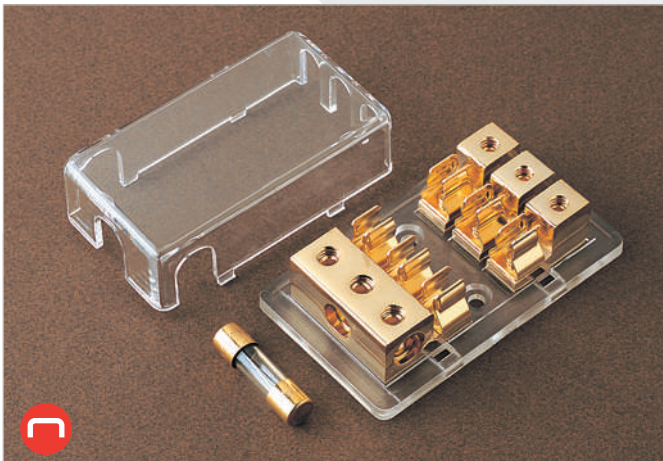


Art.

03.901-0



1/10

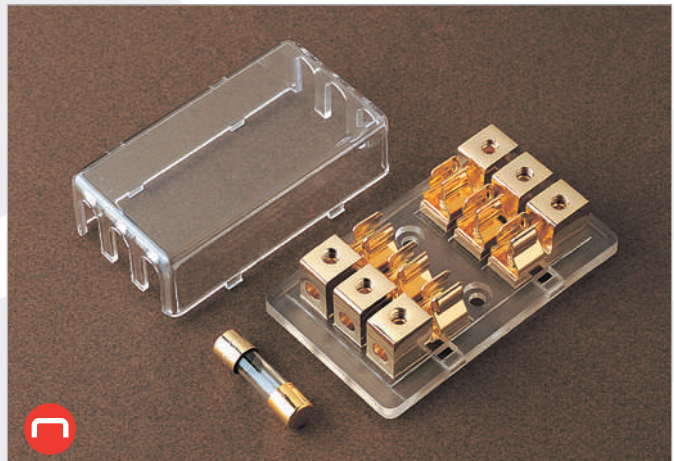


Art.

03.902-0



1/10

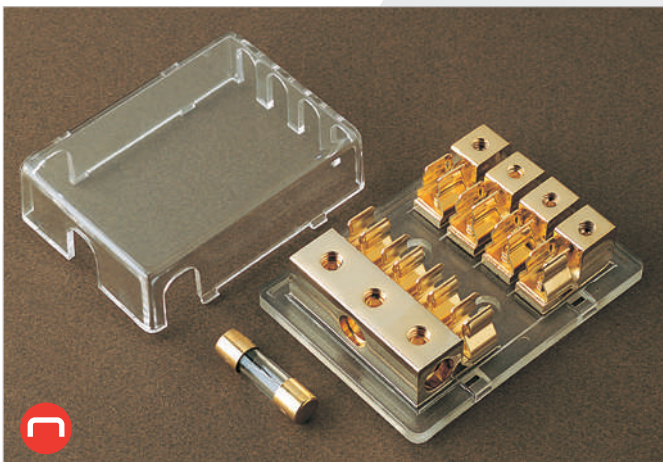


Art.

03.903-0



1/10

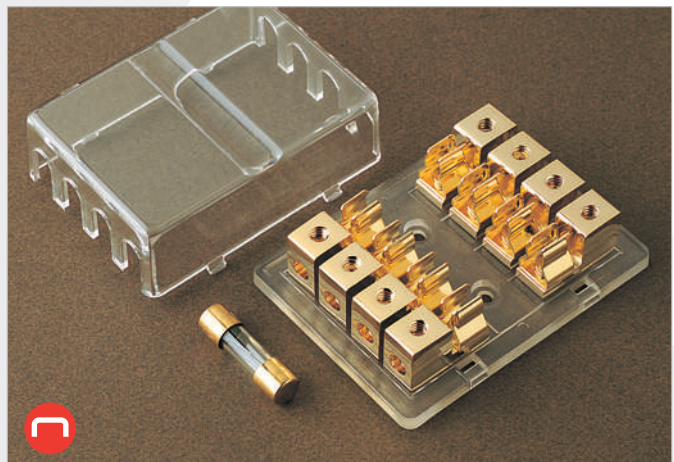


Art.

03.904-0



1/10



Art.

03.905-0



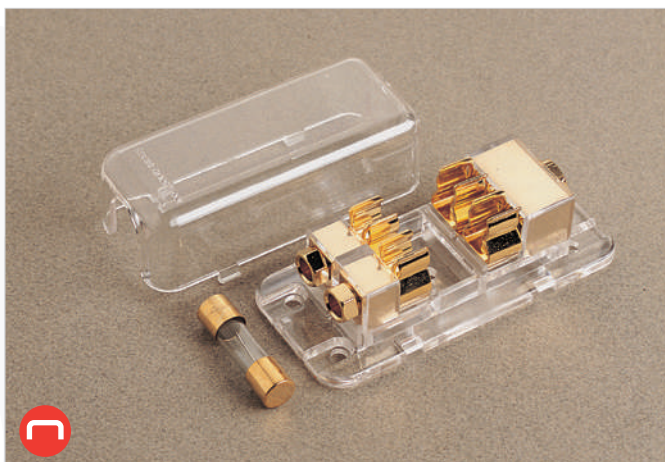
1/10

AUTO GOLD

AUTO GOLD



Para / Pour / For / Per / Für / Para / Per a: 03.AUE...



Art.

03.906-0



1/10



Art.

03.907-0



1/10



Art.

03.0001-0



1/10



Art.

03.0002-0



1/10



Art.

03.0012-0



1/10



Art.

03.0003-0



1/10

AUTO GOLD



Para / Pour / For / Per / Für / Para / Per a: 03.AUE...



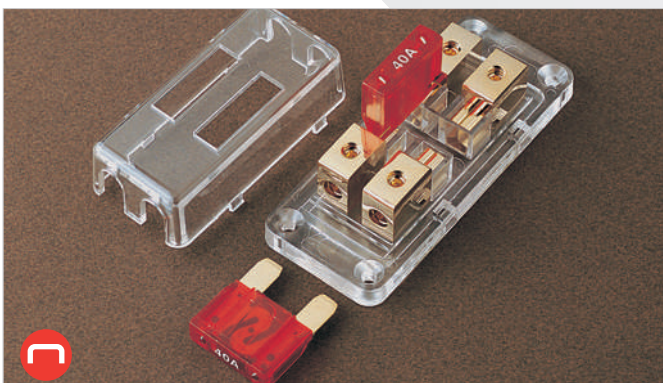
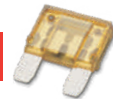
Art.



03.0004-0

1/10

Para / Pour / For / Per / Für / Para / Per a: 03.AMT...

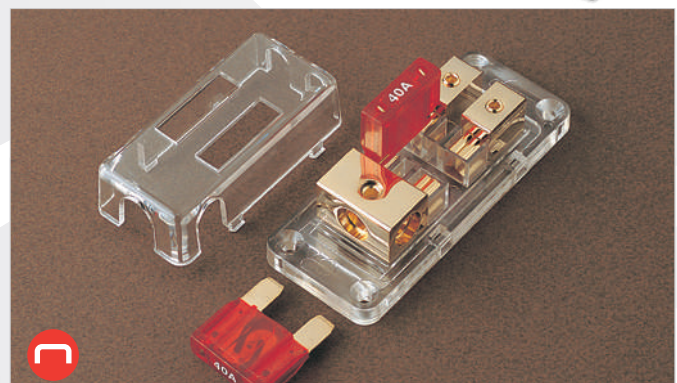


Art.



03.910-0

1/10

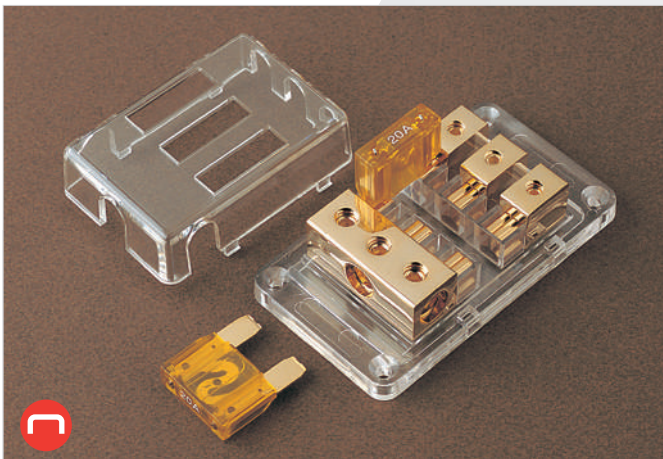


Art.



03.911-0

1/10



Art.



03.912-0

1/10



Art.

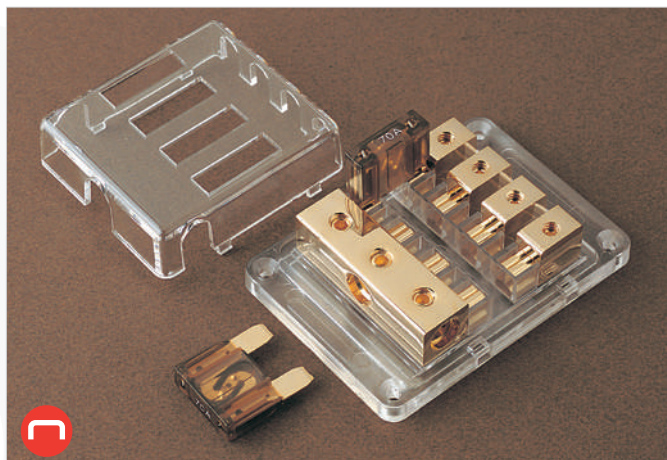


03.913-0

1/10



Para / Pour / For / Per / Für / Para / Per a: 03.AMT...

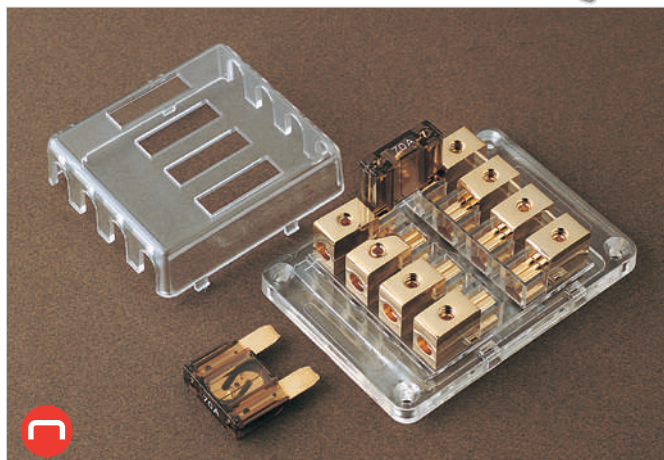


Art.

03.914-0



1/10

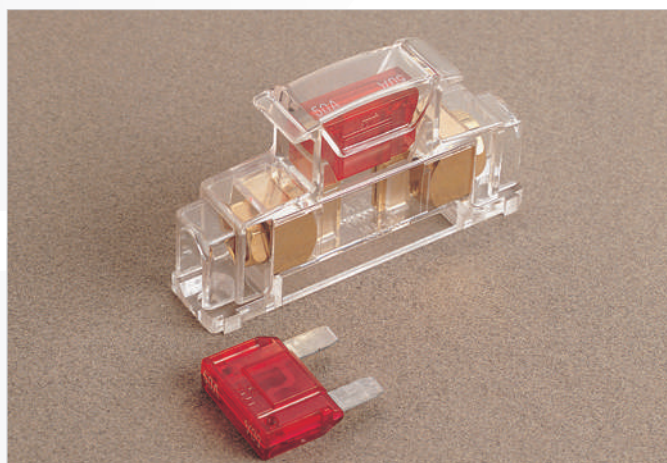


Art.

03.915-0



1/10

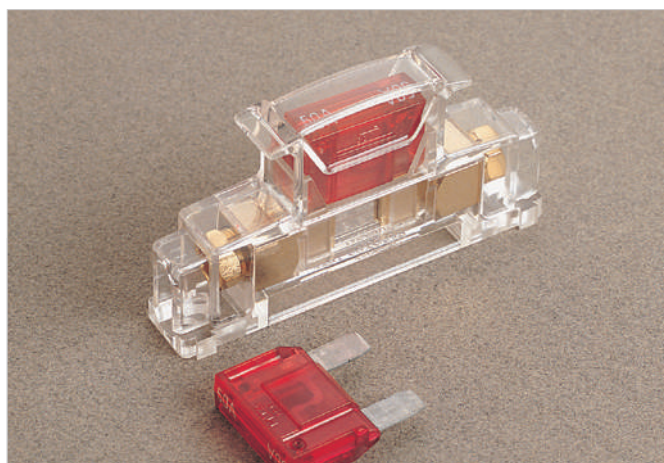


Art.

03.917-0



1/10

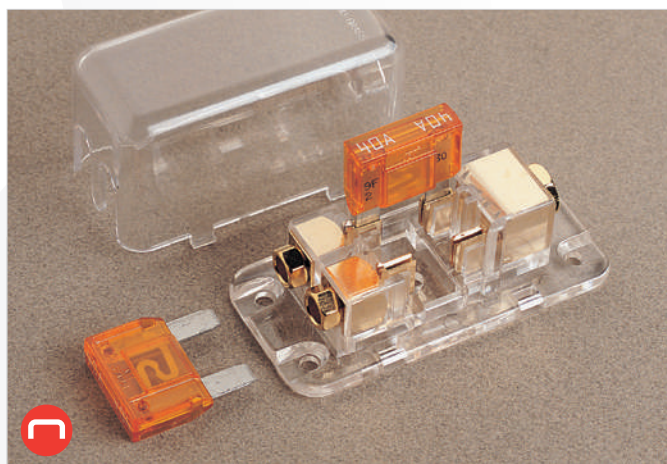


Art.

03.918-0



1/10



Art.

03.919-0

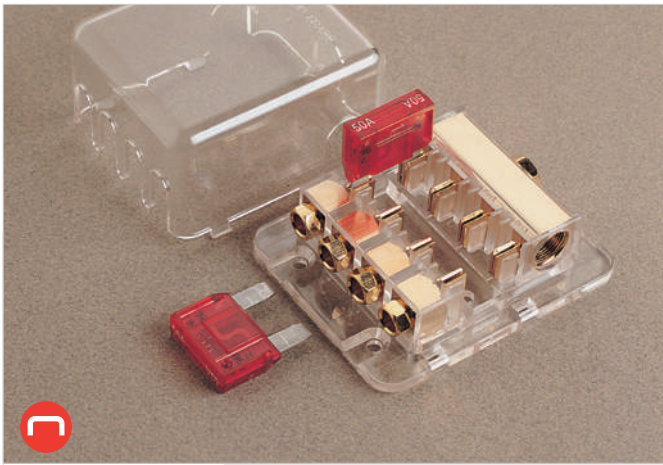


1/10

AUTO GOLD



Para / Pour / For / Per / Für / Para / Per a: 03.ATQ...

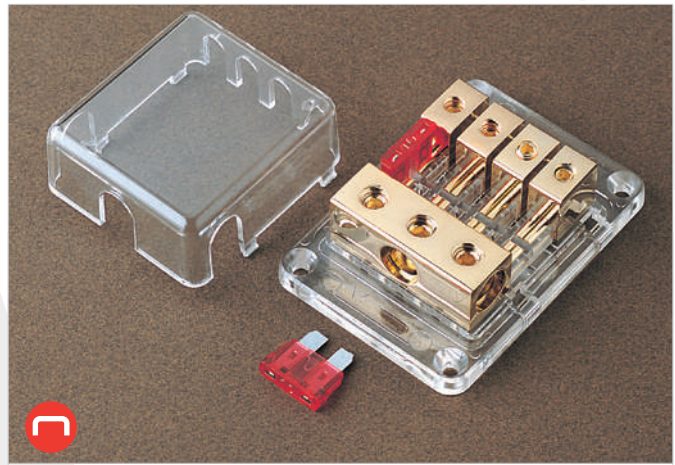


Art.



03.916-0

1/10

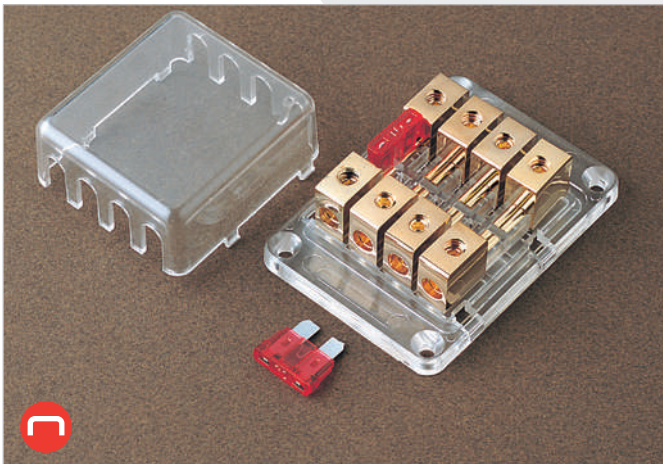


Art.



03.920-0

1

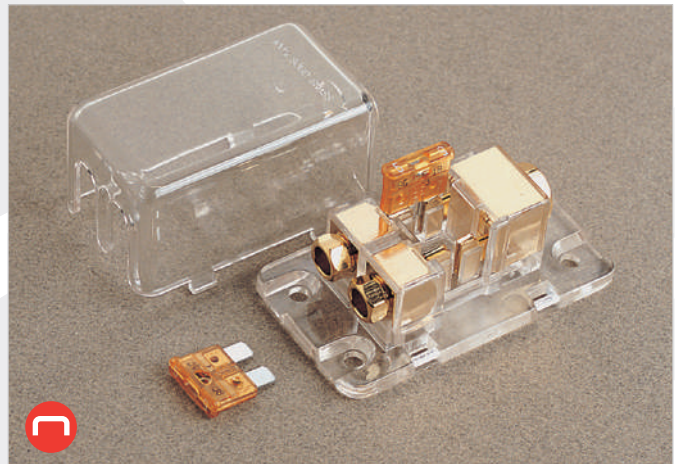


Art.



03.921-0

1/10

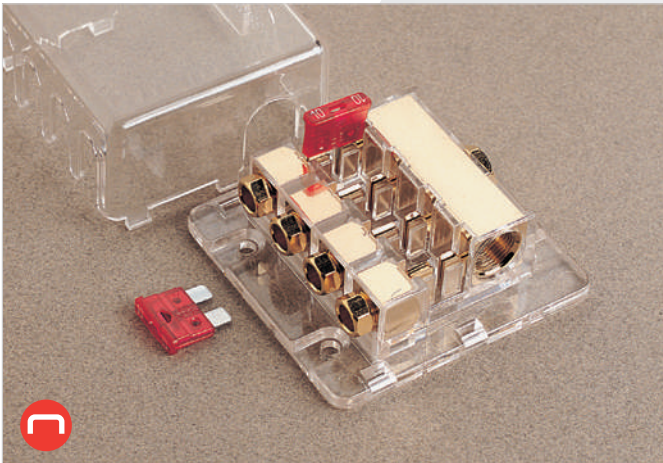


Art.



03.922-0

1/10



Art.



03.923-0

1/10



Art.



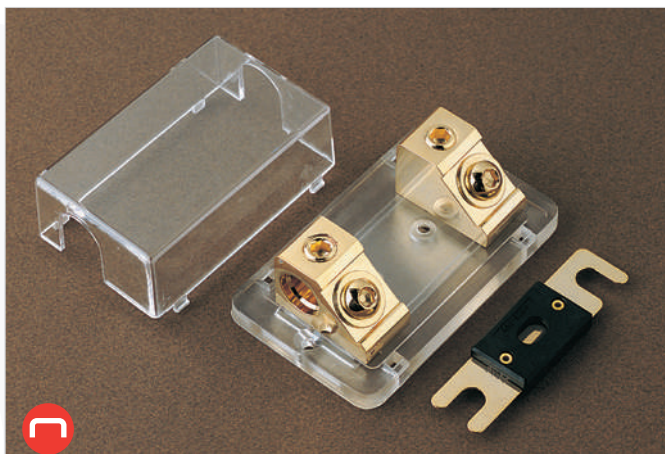
03.924-0

1/10

AUTO GOLD



Para / Pour / For / Per / Für / Para / Per a: 03.ANE...



Art.

03.930-0



1/10



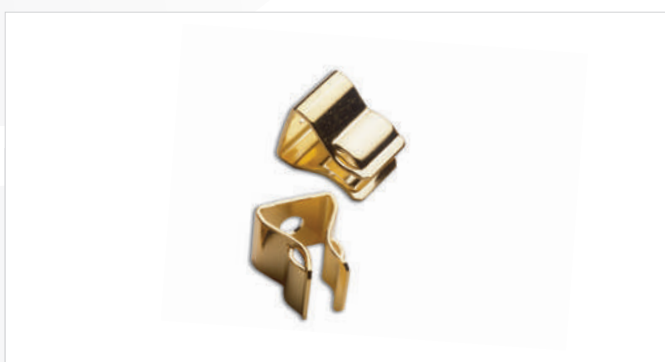
Art.

03.2203-0



1/5

Para / Pour / For / Per / Für / Para / Per a: 10,3



Art.

03.715-1

M

CuSn

A

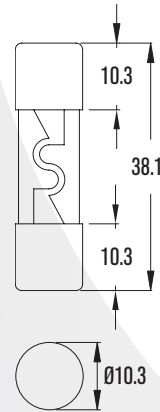
60



25/250



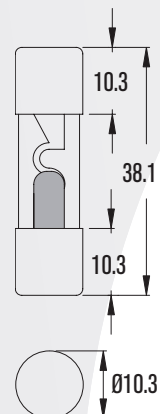
32 V



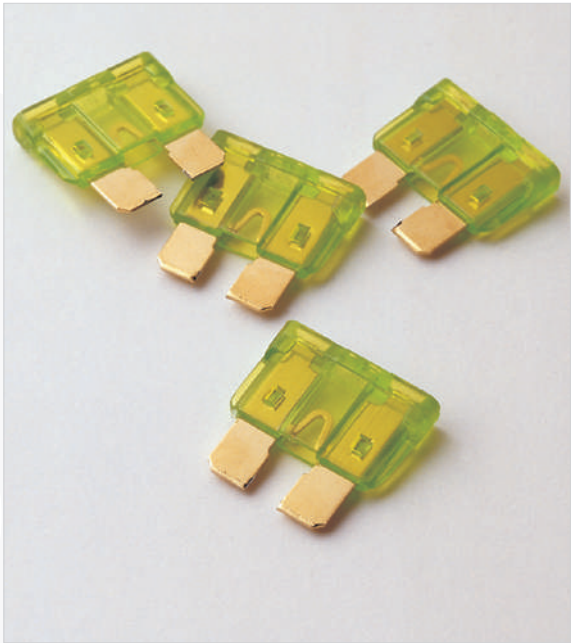
Art.	A	
03.AUE01-0	1	5/100
03.AUE02-0	2	5/100
03.AUE03-0	3	5/100
03.AUE04-0	4	5/100
03.AUE05-0	5	5/100
03.AUE06-0	6	5/100
03.AUE075-0	7,5	5/100
03.AUE10-0	10	5/100
03.AUE15-0	15	5/100
03.AUE20-0	20	5/100
03.AUE25-0	25	5/100
03.AUE30-0	30	5/100
03.AUE35-0	35	5/100
03.AUE40-0	40	5/100
03.AUE50-0	50	5/100
03.AUE60-0	60	5/100
03.AUE70-0	70	5/100
03.AUE80-0	80	5/100



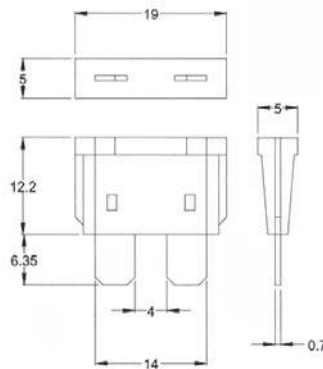
32 V



Art.	A	
03.AUE01-IL	1	5/100
03.AUE02-IL	2	5/100
03.AUE03-IL	3	5/100
03.AUE04-IL	4	5/100
03.AUE05-IL	5	5/100
03.AUE06-IL	6	5/100
03.AUE075-IL	7,5	5/100
03.AUE10-IL	10	5/100
03.AUE15-IL	15	5/100
03.AUE20-IL	20	5/100
03.AUE25-IL	25	5/100
03.AUE30-IL	30	5/100
03.AUE35-IL	35	5/100
03.AUE40-IL	40	5/100
03.AUE50-IL	50	5/100
03.AUE60-IL	60	5/100
03.AUE70-IL	70	5/100
03.AUE80-IL	80	5/100



32 V

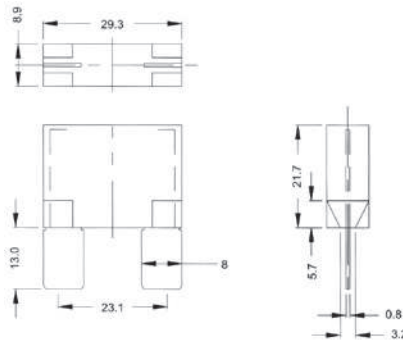


Art.	A	
03.ATQ01-0	1	10/100
03.ATQ02-0	2	10/100
03.ATQ03-0	3	10/100
03.ATQ04-0	4	10/100
03.ATQ05-0	5	10/100
03.ATQ07,5-0	7,5	10/100
03.ATQ10-0	10	10/100
03.ATQ15-0	15	10/100
03.ATQ20-0	20	10/100
03.ATQ25-0	25	10/100
03.ATQ30-0	30	10/100
03.ATQ35-0	35	10/100
03.ATQ40-0	40	10/100

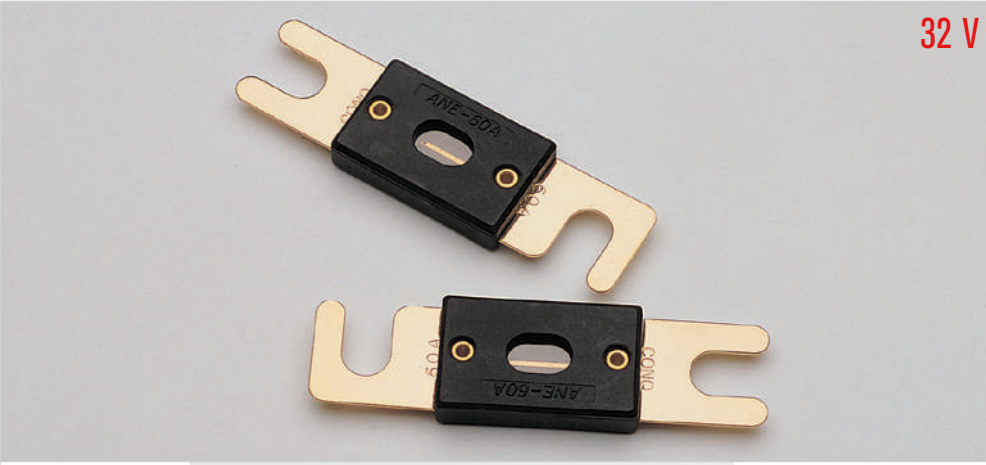
MAXI



32 V



Art.	A	
03.AMT20-0	20	2/50
03.AMT25-0	25	2/50
03.AMT30-0	30	2/50
03.AMT35-0	35	2/50
03.AMT40-0	40	2/50
03.AMT50-0	50	2/50
03.AMT60-0	60	2/50
03.AMT70-0	70	2/50
03.AMT80-0	80	2/50
03.AMT100-0	100	2/50
03.AMT120-0	120	2/50



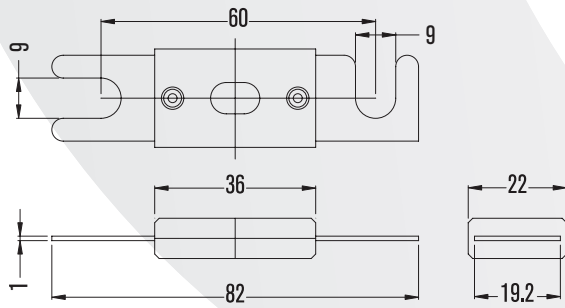
32 V

Art.

A



03.ANE60-0	60	1/10
03.ANE70-0	70	1/10
03.ANE80-0	80	1/10
03.ANE100-0	100	1/10
03.ANE125-0	125	1/10
03.ANE130-0	130	1/10
03.ANE150-0	150	1/10
03.ANE175-0	175	1/10
03.ANE200-0	200	1/10
03.ANE225-0	225	1/10
03.ANE250-0	250	1/10
03.ANE275-0	275	1/10
03.ANE300-0	300	1/10
03.ANE325-0	325	1/10
03.ANE350-0	350	1/10
03.ANE400-0	400	1/10
03.ANE500-0	500	1/10





Portafusibles → Terminal

Porte-fusibles - Terminal / Fuseholders - Terminals / Portafusibili - Terminali /
Sicherungshalter - Terminals / Porta-fusíveis - Terminais / Portafusibles - Terminals

	03.110-0	03.07209-0 03.07212-0	
	03.115-0	14327-02	
	03.116-0	604410-0	
	03.126-0	03.07900-0	
	03.127-0	03.07501-0	
	03.128-0	03.07900-0	
	03.129-0	03.07900-0	
	03.131-0	03.07900-0	
	03.133-0	03.05917-0	
	03.137-0	17660-02	
	03.138-0	17650-02	
	03.117-0	03.07900-0	
	03.120-0	03.07501-0	
	03.121-0	03.07501-0	
	03.122-0	03.07501-0	



Terminal → Portafusibles

Terminal - Porte-fusibles / Terminals - Fuseholders / Terminali - Portafusibili /
Terminals - Sicherungshalter / Terminals - Porta-fusíveis / Terminals - Portafusibles

	03.07209-0	03.110-0	
	03.07212-0	03.110-0	
	14327-02	03.115-0	
	604410-0	03.116-0	
	03.07900-0	03.126-0	
		03.128-0	
		03.129-0	
		03.131-0	
		03.117-0	
	03.07501-0	03.120-0	
		03.121-0	
		03.122-0	
	03.05917-0	03.133-0	
	17660-02	03.137-0	
	17650-02	03.138-0	



Porta relés → Terminal

Porte-relais / Relay holders / Porta relè / Relaishalter / Suporte de relé / Porta relés



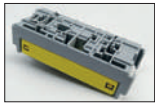
01.01564-0 11.08330-32 0,3-0,75



11.08400-32 0,5-1,0



11.08501-32 0,75-1,0



01.01494-0 11.08501-32 0,75-1,0



11.07740-32 2,5-4,0



01.01510-0 11.08330-32 0,3-0,75



11.07740-32 2,5-4,0



11.02050-02 2,5-4,0



03.01460-0 11.08330-32 0,3-0,75



03.01470-0 17650-02 1,5-2,5



17660-02 4,0-6,0



03.01480-0 11.02050-02 2,5-4,0



19301-31 0,5-1,0



03.01500-0 19301-31 0,5-1,0



11.02050-02 2,5-4,0



Porta relés → Terminal

Porte-relais / Relay holders / Porta relè / Relaishalter / Suporte de relé / Porta relés



03.01490-0 19301-31 0,5-1,0



11.02050-02 2,5-4,0



11.07740-32 2,5-4,0



03.01484-0 11.08400-32 0,5-1,0



11.08501-32 0,75-1,5



01.01370-0 11.08330-32 0,3-0,75





Art.	Art.	Art.	Art.	Art.					
01.00750.....	3-59	03.107-0.....	3-32	03.1519-10 A.....	3-76	03.1527-6 A.....	3-79	03.24.0160-1.....	3-83
01.01370-0.....	3-66	03.108-0.....	3-32	03.1519-15 A.....	3-76	03.1527-8 A.....	3-79	03.24.0200-1.....	3-83
01.01494-0.....	3-65	03.108-0.....	3-44	03.1519-20 A.....	3-76	03.1528-10 A.....	3-77	03.24.020-1.....	3-83
01.01510-0.....	3-65	03.1082-0.....	3-45	03.1519-25 A.....	3-76	03.1528-15 A.....	3-77	03.24.0250-1.....	3-83
01.01564-0.....	3-65	03.1084-0.....	3-45	03.1519-30 A.....	3-76	03.1528-20 A.....	3-77	03.24.0300-1.....	3-83
01.01580-0.....	3-66	03.108P2-0.....	3-45	03.1519-40 A.....	3-76	03.1528-25 A.....	3-77	03.24.030-1.....	3-83
01.01590-0.....	3-66	03.108P4-0.....	3-45	03.1519-50 A.....	3-76	03.1528-30 A.....	3-77	03.24.0315-1.....	3-83
03.0001-0.....	3-117	03.109-0.....	3-32	03.1520-10 A.....	3-76	03.1528-40 A.....	3-77	03.24.032-1.....	3-83
03.0002-0.....	3-117	03.109-0.....	3-44	03.1520-15 A.....	3-76	03.1528-50 A.....	3-77	03.24.0350-1.....	3-83
03.0003-0.....	3-117	03.1091-0.....	3-46	03.1520-20 A.....	3-76	03.1529-10 A.....	3-78	03.24.0400-1.....	3-83
03.0004-0.....	3-118	03.1091S-0.....	3-46	03.1520-25 A.....	3-76	03.1529-15 A.....	3-78	03.24.040-1.....	3-83
03.0012-0.....	3-117	03.110-0.....	3-37	03.1520-30 A.....	3-76	03.1529-20 A.....	3-78	03.24.0500-1.....	3-83
03.00380-0.....	3-46	03.1101-0.....	3-37	03.1520-40 A.....	3-76	03.1529-25 A.....	3-78	03.24.050-1.....	3-83
03.00391-0.....	3-47	03.1102-0.....	3-37	03.1520-50 A.....	3-76	03.1529-30 A.....	3-78	03.24.0600-1.....	3-83
03.00392-0.....	3-45	03.111B-0.....	3-37	03.1520-6 A.....	3-76	03.1529-40 A.....	3-78	03.24.0630-1.....	3-83
03.00392-0.....	3-47	03.112-0.....	3-38	03.1520-8 A.....	3-76	03.1529-50 A.....	3-78	03.24.063-1.....	3-83
03.00394-0.....	3-46	03.113-0.....	3-38	03.1521-10 A.....	3-80	03.1529-6 A.....	3-78	03.24.0700-1.....	3-83
03.00500-0.....	3-57	03.114-0.....	3-38	03.1521-15 A.....	3-80	03.1529-8 A.....	3-78	03.24.0750-1.....	3-83
03.00703-0.....	3-60	03.114B-0.....	3-38	03.1521-20 A.....	3-80	03.1530-10 A.....	3-77	03.24.0800-1.....	3-83
03.00710-0.....	3-61	03.114B-0-6.....	3-38	03.1521-25 A.....	3-80	03.1530-15 A.....	3-77	03.24.080-1.....	3-83
03.00750.....	3-59	03.114B-16.....	3-38	03.1521-30 A.....	3-80	03.1530-20 A.....	3-77	03.24.1000-1.....	3-83
03.00799.....	3-59	03.115-0.....	3-39	03.1521-40 A.....	3-80	03.1530-25 A.....	3-77	03.24.100-1.....	3-83
03.00800-0.....	3-57	03.116-0.....	3-39	03.1521-50 A.....	3-80	03.1530-30 A.....	3-77	03.24.125-1.....	3-83
03.00850-0.....	3-57	03.117-0.....	3-55	03.1521-6 A.....	3-80	03.1530-40 A.....	3-77	03.24.150-1.....	3-83
03.00900-0.....	3-58	03.118-0.....	3-62	03.1521-8 A.....	3-80	03.1530-50 A.....	3-77	03.24.160-1.....	3-83
03.01391-0.....	3-47	03.119-0.....	3-62	03.1522-10 A.....	3-77	03.1816-01.....	3-103	03.24.200-1.....	3-83
03.01392-0.....	3-45	03.120-0.....	3-55	03.1522-15 A.....	3-77	03.1816-02.....	3-103	03.24.250-1.....	3-83
03.01392-0.....	3-47	03.121-0.....	3-55	03.1522-20 A.....	3-77	03.1902-0.....	3-42	03.24.300-1.....	3-83
03.01393-0.....	3-47	03.122-0.....	3-55	03.1522-25 A.....	3-77	03.1903-0.....	3-41	03.24.315-1.....	3-83
03.01394-0.....	3-46	03.123-0.....	3-56	03.1522-30 A.....	3-77	03.1904-0.....	3-41	03.24.350-1.....	3-83
03.01450-0.....	3-63	03.124-0.....	3-56	03.1522-40 A.....	3-77	03.1905-0.....	3-41	03.24.400-1.....	3-83
03.01460-0.....	3-65	03.125-0.....	3-56	03.1522-50 A.....	3-77	03.1905-B-0.....	3-41	03.24.500-1.....	3-83
03.01470-0.....	3-64	03.126-0.....	3-39	03.1522-6 A.....	3-77	03.1905-B-2.....	3-41	03.24.600-1.....	3-83
03.01480-0.....	3-64	03.126-0-AZ.....	3-39	03.1522-8 A.....	3-77	03.1906-0.....	3-41	03.24.630-1.....	3-83
03.01484-0.....	3-66	03.126-0-BE.....	3-39	03.1523-10 A.....	3-79	03.1908-0.....	3-42	03.24.700-1.....	3-83
03.01490-0.....	3-64	03.126-0-MA.....	3-39	03.1523-15 A.....	3-79	03.1909-0.....	3-42	03.24.750-1.....	3-83
03.01500-0.....	3-64	03.126-0-NG.....	3-39	03.1523-20 A.....	3-79	03.1910-0.....	3-42	03.24.800-1.....	3-83
03.01520-0.....	3-63	03.126-0-NT.....	3-39	03.1523-25 A.....	3-79	03.1911-0.....	3-42	03.25.0100-1.....	3-84
03.01530-0.....	3-63	03.126-0-RO.....	3-39	03.1523-30 A.....	3-79	03.1912-0.....	3-42	03.25.010-1.....	3-84
03.01540-0.....	3-63	03.126-0-VE.....	3-39	03.1523-40 A.....	3-79	03.1995LP-L.....	3-35	03.25.0125-1.....	3-84
03.01703-0.....	3-60	03.127-0.....	3-39	03.1523-50 A.....	3-79	03.1995MI-L.....	3-38	03.25.0150-1.....	3-84
03.03000-0.....	3-56	03.128-0.....	3-39	03.1524-10 A.....	3-78	03.1995MI-L.....	3-43	03.25.0160-1.....	3-84
03.040-0.....	3-48	03.129-0.....	3-40	03.1524-15 A.....	3-78	03.20.100-0.....	3-18	03.25.0200-1.....	3-84
03.040-0-R.....	3-48	03.130-0.....	3-40	03.1524-20 A.....	3-78	03.20.30-0.....	3-18	03.25.020-1.....	3-84
03.040-1.....	3-48	03.131-0.....	3-40	03.1524-25 A.....	3-78	03.20.40-0.....	3-18	03.25.0250-1.....	3-84
03.040-1-R.....	3-48	03.132-0.....	3-40	03.1524-30 A.....	3-78	03.20.50-0.....	3-18	03.25.0300-1.....	3-84
03.045-0.....	3-49	03.133-0.....	3-40	03.1524-40 A.....	3-78	03.20.60-0.....	3-18	03.25.030-1.....	3-84
03.045-0-R.....	3-49	03.134-0.....	3-40	03.1524-50 A.....	3-78	03.20.70-0.....	3-18	03.25.0315-1.....	3-84
03.045-1.....	3-49	03.135-0.....	3-41	03.1525-10 A.....	3-78	03.20.80-0.....	3-18	03.25.032-1.....	3-84
03.045-1-R.....	3-49	03.136-0.....	3-43	03.1525-15 A.....	3-78	03.201-0.....	3-74	03.25.0350-1.....	3-84
03.047-0.....	3-50	03.136B-0.....	3-43	03.1525-20 A.....	3-78	03.202-0.....	3-74	03.25.0400-1.....	3-84
03.047-0-R.....	3-50	03.137-0.....	3-44	03.1525-25 A.....	3-78	03.202-0-NG.....	3-74	03.25.040-1.....	3-84
03.047-1.....	3-50	03.138-0.....	3-44	03.1525-30 A.....	3-78	03.203-0.....	3-74	03.25.0500-1.....	3-84
03.047-1-R.....	3-50	03.139-0.....	3-38	03.1525-40 A.....	3-78	03.204-0.....	3-74	03.25.050-1.....	3-84
03.049-0.....	3-51	03.141-0.....	3-37	03.1525-50 A.....	3-78	03.205-0.....	3-75	03.25.0600-1.....	3-84
03.049-0-R.....	3-51	03.142-0.....	3-43	03.1526-10 A.....	3-79	03.21.100-0.....	3-18	03.25.0630-1.....	3-84
03.049-1.....	3-51	03.143-0.....	3-37	03.1526-15 A.....	3-79	03.21.30-0.....	3-18	03.25.063-1.....	3-84
03.049-1-R.....	3-51	03.144-0.....	3-43	03.1526-20 A.....	3-79	03.21.40-0.....	3-18	03.25.0700-1.....	3-84
03.100-0.....	3-32	03.145-0.....	3-43	03.1526-25 A.....	3-79	03.21.50-0.....	3-18	03.25.0750-1.....	3-84
03.101-0.....	3-34	03.149-0.....	3-34	03.1526-30 A.....	3-79	03.21.60-0.....	3-18	03.25.0800-1.....	3-84
03.102-0.....	3-34	03.1518-10 A.....	3-76	03.1526-40 A.....	3-79	03.21.80-0.....	3-18	03.25.080-1.....	3-84
03.103-0.....	3-32	03.1518-15 A.....	3-76	03.1526-50 A.....	3-79	03.22.30-0.....	3-18	03.25.1000-1.....	3-84
03.103-0.....	3-34	03.1518-20 A.....	3-76	03.1527-10 A.....	3-79	03.22.40-0.....	3-18	03.25.100-1.....	3-84
03.104-0.....	3-34	03.1518-25 A.....	3-76	03.1527-15 A.....	3-79	03.2203-0.....	3-121	03.25.125-1.....	3-84
03.106-0.....	3-34	03.1518-30 A.....	3-76	03.1527-20 A.....	3-79	03.23.25-0.....	3-18	03.25.150-1.....	3-84
03.1068/2-0.....	3-38	03.1518-40 A.....	3-76	03.1527-25 A.....	3-79	03.24.0100-1.....	3-83	03.25.160-1.....	3-84
03.1068-0.....	3-38	03.1518-50 A.....	3-76	03.1527-30 A.....	3-79	03.24.010-1.....	3-83	03.25.200-1.....	3-84
03.1069/2-0.....	3-35	03.1518-6 A.....	3-76	03.1527-40 A.....	3-79	03.24.0125-1.....	3-83	03.25.250-1.....	3-84
03.1069-0.....	3-35	03.1518-8 A.....	3-76	03.1527-50 A.....	3-79	03.24.0150-1.....	3-83	03.25.300-1.....	3-84



Art.	Art.	Art.	Art.	Art.	Art.	Art.			
03.25.315-1	3-84	03.27.040-1	3-82	03.340-0	3-48	03.37.010-1	3-86	03.38.080-1	3-87
03.25.350-1	3-84	03.27.0500-1	3-82	03.340-0-R	3-48	03.37.0125-1	3-86	03.38.1000-1	3-87
03.25.400-1	3-84	03.27.050-1	3-82	03.340-1	3-48	03.37.0150-1	3-86	03.38.100-1	3-87
03.25.500-1	3-84	03.27.0600-1	3-82	03.340-1-R	3-48	03.37.0160-1	3-86	03.38.1200-1	3-87
03.25.600-1	3-84	03.27.0630-1	3-82	03.345-0	3-49	03.37.0200-1	3-86	03.38.125-1	3-87
03.25.630-1	3-84	03.27.063-1	3-82	03.345-0-R	3-49	03.37.020-1	3-86	03.38.1500-1	3-87
03.25.700-1	3-84	03.27.0700-1	3-82	03.345-1	3-49	03.37.0250-1	3-86	03.38.150-1	3-87
03.25.750-1	3-84	03.27.0750-1	3-82	03.345-1-R	3-49	03.37.0300-1	3-86	03.38.1600-1	3-87
03.25.800-1	3-84	03.27.0800-1	3-82	03.347-0	3-50	03.37.030-1	3-86	03.38.160-1	3-87
03.26.0100-1	3-81	03.27.080-1	3-82	03.347-0-R	3-50	03.37.0315-1	3-86	03.38.2000-1	3-87
03.26.010-1	3-81	03.27.1000-1	3-82	03.347-1	3-50	03.37.032-1	3-86	03.38.200-1	3-87
03.26.0125-1	3-81	03.27.100-1	3-82	03.347-1-R	3-50	03.37.0350-1	3-86	03.38.2500-1	3-87
03.26.0150-1	3-81	03.27.1200-1	3-82	03.349-0	3-51	03.37.0400-1	3-86	03.38.250-1	3-87
03.26.0160-1	3-81	03.27.125-1	3-82	03.349-0-R	3-51	03.37.040-1	3-86	03.38.3000-1	3-87
03.26.0200-1	3-81	03.27.1500-1	3-82	03.349-1	3-51	03.37.0500-1	3-86	03.38.300-1	3-87
03.26.020-1	3-81	03.27.150-1	3-82	03.349-1-R	3-51	03.37.050-1	3-86	03.38.315-1	3-87
03.26.0250-1	3-81	03.27.1600-1	3-82	03.3493-0	3-52	03.37.0600-1	3-86	03.38.350-1	3-87
03.26.0300-1	3-81	03.27.160-1	3-82	03.3493-1	3-52	03.37.0630-1	3-86	03.38.400-1	3-87
03.26.030-1	3-81	03.27.2000-1	3-82	03.35.010-0	3-85	03.37.063-1	3-86	03.38.500-1	3-87
03.26.0315-1	3-81	03.27.200-1	3-82	03.35.0100-1	3-85	03.37.0700-1	3-86	03.38.600-1	3-87
03.26.032-1	3-81	03.27.250-1	3-82	03.35.0125-1	3-85	03.37.0750-1	3-86	03.38.630-1	3-87
03.26.0350-1	3-81	03.27.300-1	3-82	03.35.0150-1	3-85	03.37.0800-1	3-86	03.38.700-1	3-87
03.26.0400-1	3-81	03.27.315-1	3-82	03.35.0160-1	3-85	03.37.080-1	3-86	03.38.750-1	3-87
03.26.040-1	3-81	03.27.350-1	3-82	03.35.0200-1	3-85	03.37.1000-1	3-86	03.38.800-1	3-87
03.26.0500-1	3-81	03.27.400-1	3-82	03.35.020-1	3-85	03.37.100-1	3-86	03.39.0100-1	3-88
03.26.050-1	3-81	03.27.500-1	3-82	03.35.0250-1	3-85	03.37.1200-1	3-86	03.39.010-1	3-88
03.26.0600-1	3-81	03.27.600-1	3-82	03.35.0300-1	3-85	03.37.125-1	3-86	03.39.0125-1	3-88
03.26.0630-1	3-81	03.27.630-1	3-82	03.35.030-1	3-85	03.37.1500-1	3-86	03.39.0150-1	3-88
03.26.063-1	3-81	03.27.700-1	3-82	03.35.0315-1	3-85	03.37.150-1	3-86	03.39.0160-1	3-88
03.26.0700-1	3-81	03.27.750-1	3-82	03.35.032-1	3-85	03.37.1600-1	3-86	03.39.0200-1	3-88
03.26.0750-1	3-81	03.27.800-1	3-82	03.35.0350-1	3-85	03.37.160-1	3-86	03.39.020-1	3-88
03.26.0800-1	3-81	03.30.05-0	3-26	03.35.0400-1	3-85	03.37.2000-1	3-86	03.39.0250-1	3-88
03.26.080-1	3-81	03.30.05-MTA	3-26	03.35.040-1	3-85	03.37.200-1	3-86	03.39.0300-1	3-88
03.26.1000-1	3-81	03.30.08-0	3-26	03.35.0500-1	3-85	03.37.2500-1	3-86	03.39.030-1	3-88
03.26.100-1	3-81	03.30.08-MTA	3-26	03.35.050-1	3-85	03.37.250-1	3-86	03.39.0315-1	3-88
03.26.1200-1	3-81	03.30.16-0	3-26	03.35.0600-1	3-85	03.37.3000-1	3-86	03.39.032-1	3-88
03.26.125-1	3-81	03.30.16-MTA	3-26	03.35.0630-1	3-85	03.37.300-1	3-86	03.39.0350-1	3-88
03.26.1500-1	3-81	03.30.25-0	3-26	03.35.063-1	3-85	03.37.315-1	3-86	03.39.0400-1	3-88
03.26.150-1	3-81	03.30.25-MTA	3-26	03.35.0700-1	3-85	03.37.350-1	3-86	03.39.040-1	3-88
03.26.1600-1	3-81	03.30.40-0	3-26	03.35.0750-1	3-85	03.37.400-1	3-86	03.39.0500-1	3-88
03.26.160-1	3-81	03.32.05-0	3-26	03.35.0800-1	3-85	03.37.500-1	3-86	03.39.050-1	3-88
03.26.2000-1	3-81	03.32.05-MTA	3-26	03.35.080-1	3-85	03.37.600-1	3-86	03.39.0600-1	3-88
03.26.200-1	3-81	03.32.08-0	3-26	03.35.1000-1	3-85	03.37.630-1	3-86	03.39.0630-1	3-88
03.26.2500-1	3-81	03.32.08-MTA	3-26	03.35.100-1	3-85	03.37.700-1	3-86	03.39.063-1	3-88
03.26.250-1	3-81	03.32.10-0	3-26	03.35.1200-1	3-85	03.37.750-1	3-86	03.39.0700-1	3-88
03.26.300-1	3-81	03.32.10-MTA	3-26	03.35.125-1	3-85	03.37.800-1	3-86	03.39.0750-1	3-88
03.26.315-1	3-81	03.32.16-0	3-26	03.35.1500-1	3-85	03.38.0100-1	3-87	03.39.0800-1	3-88
03.26.350-1	3-81	03.32.16-MTA	3-26	03.35.150-1	3-85	03.38.010-1	3-87	03.39.080-1	3-88
03.26.400-1	3-81	03.32.25-0	3-26	03.35.1600-1	3-85	03.38.0125-1	3-87	03.39.1000-1	3-88
03.26.500-1	3-81	03.32.25-MTA	3-26	03.35.160-1	3-85	03.38.0150-1	3-87	03.39.100-1	3-88
03.26.600-1	3-81	03.32.40-0	3-26	03.35.2000-1	3-85	03.38.0160-1	3-87	03.39.1200-1	3-88
03.26.630-1	3-81	03.33.005-0	3-28	03.35.200-1	3-85	03.38.0200-1	3-87	03.39.125-1	3-88
03.26.700-1	3-81	03.33.01-0	3-28	03.35.2500-1	3-85	03.38.020-1	3-87	03.39.1500-1	3-88
03.26.750-1	3-81	03.33.015-0	3-28	03.35.250-1	3-85	03.38.0250-1	3-87	03.39.150-1	3-88
03.26.800-1	3-81	03.33.02-0	3-28	03.35.3000-1	3-85	03.38.0300-1	3-87	03.39.1600-1	3-88
03.27.0100-1	3-82	03.33.025-0	3-28	03.35.300-1	3-85	03.38.030-1	3-87	03.39.160-1	3-88
03.27.010-1	3-82	03.33.03-0	3-28	03.35.315-1	3-85	03.38.0315-1	3-87	03.39.2000-1	3-88
03.27.0125-1	3-82	03.33.04-0	3-28	03.35.3500-1	3-85	03.38.032-1	3-87	03.39.200-1	3-88
03.27.0150-1	3-82	03.33.05-0	3-28	03.35.350-1	3-85	03.38.0350-1	3-87	03.39.2500-1	3-88
03.27.0160-1	3-82	03.33.06-0	3-28	03.35.4000-1	3-85	03.38.0400-1	3-87	03.39.250-1	3-88
03.27.0200-1	3-82	03.33.07-0	3-28	03.35.400-1	3-85	03.38.040-1	3-87	03.39.3000-1	3-88
03.27.020-1	3-82	03.33.075-0	3-28	03.35.5000-1	3-85	03.38.0500-1	3-87	03.39.300-1	3-88
03.27.0250-1	3-82	03.33.10-0	3-28	03.35.500-1	3-85	03.38.050-1	3-87	03.39.315-1	3-88
03.27.0300-1	3-82	03.33.15-0	3-28	03.35.600-1	3-85	03.38.0600-1	3-87	03.39.350-1	3-88
03.27.030-1	3-82	03.33.20-0	3-28	03.35.630-1	3-85	03.38.0630-1	3-87	03.39.400-1	3-88
03.27.0315-1	3-82	03.33.25-0	3-28	03.35.700-1	3-85	03.38.063-1	3-87	03.39.500-1	3-88
03.27.032-1	3-82	03.33.30-0	3-28	03.35.750-1	3-85	03.38.0700-1	3-87	03.39.600-1	3-88
03.27.0350-1	3-82	03.33.35-0	3-28	03.35.800-1	3-85	03.38.0750-1	3-87	03.39.630-1	3-88
03.27.0400-1	3-82	03.33.40-0	3-28	03.37.0100-1	3-86	03.38.0800-1	3-87	03.39.700-1	3-88



Art.	Art.	Art.	Art.	Art.					
03.39.750-1.....	3-88	03.40RR.05-0.....	3-12	03.45RR.10-0.....	3-14	03.50.50-0.....	3-9	03.547.50-0.....	3-17
03.39.800-1.....	3-88	03.40RR.06-0.....	3-12	03.45RR.15-0.....	3-14	03.50.50-MTA.....	3-9	03.547.500-0.....	3-17
03.40.01-0.....	3-8	03.40RR.08-0.....	3-12	03.45RR.20-0.....	3-14	03.50.60-0.....	3-9	03.547.63-0.....	3-17
03.40.01-MTA.....	3-8	03.40RR.10-0.....	3-12	03.45RR.25-0.....	3-14	03.50.60-MTA.....	3-9	03.547.80-0.....	3-17
03.40.02-0.....	3-8	03.40RR.15-0.....	3-12	03.45RR.30-0.....	3-14	03.50.70-0.....	3-9	03.548.100-0.....	3-17
03.40.02-MTA.....	3-8	03.40RR.20-0.....	3-12	03.47.02-0.....	3-6	03.50.70-MTA.....	3-9	03.548.125-0.....	3-17
03.40.03-0.....	3-8	03.40RR.25-0.....	3-12	03.47.02-MTA.....	3-6	03.50.80-0.....	3-9	03.548.150-0.....	3-17
03.40.03-MTA.....	3-8	03.40RR.30-0.....	3-12	03.47.03-0.....	3-6	03.50.80-MTA.....	3-9	03.548.200-0.....	3-17
03.40.04-0.....	3-8	03.45.02-0.....	3-7	03.47.03-MTA.....	3-6	03.500-1.....	3-104	03.548.30-0.....	3-17
03.40.04-MTA.....	3-8	03.45.02-MTA.....	3-7	03.47.04-0.....	3-6	03.503-1.....	3-104	03.548.40-0.....	3-17
03.40.05-0.....	3-8	03.45.03-0.....	3-7	03.47.04-MTA.....	3-6	03.504-1.....	3-104	03.548.50-0.....	3-17
03.40.05-MTA.....	3-8	03.45.03-MTA.....	3-7	03.47.05-0.....	3-6	03.505-1.....	3-104	03.548.60-0.....	3-17
03.40.075-0.....	3-8	03.45.04-0.....	3-7	03.47.05-MTA.....	3-6	03.507-1.....	3-104	03.548.70-0.....	3-17
03.40.075-MTA.....	3-8	03.45.04-MTA.....	3-7	03.47.075-0.....	3-6	03.508-1.....	3-104	03.548.80-0.....	3-17
03.40.10-0.....	3-8	03.45.05-0.....	3-7	03.47.075-MTA.....	3-6	03.509-1.....	3-104	03.549.100-0.....	3-19
03.40.10-MTA.....	3-8	03.45.05-MTA.....	3-7	03.47.10-0.....	3-6	03.50C.25-0.....	3-10	03.549.125-0.....	3-19
03.40.15-0.....	3-8	03.45.075-0.....	3-7	03.47.10-MTA.....	3-6	03.50C.30-0.....	3-10	03.549.150-0.....	3-19
03.40.15-MTA.....	3-8	03.45.075-MTA.....	3-7	03.47.15-0.....	3-6	03.50C.35-0.....	3-10	03.549.175-0.....	3-19
03.40.20-0.....	3-8	03.45.10-0.....	3-7	03.47.15-MTA.....	3-6	03.50C.40-0.....	3-10	03.549.200-0.....	3-19
03.40.20-MTA.....	3-8	03.45.10-MTA.....	3-7	03.47.20-0.....	3-6	03.50C.50-0.....	3-10	03.549.225-0.....	3-19
03.40.25-0.....	3-8	03.45.15-0.....	3-7	03.47.20-MTA.....	3-6	03.50C.60-0.....	3-10	03.549.250-0.....	3-19
03.40.25-MTA.....	3-8	03.45.15-MTA.....	3-7	03.47.25-0.....	3-6	03.50C8.25-0.....	3-10	03.55.100-0.....	3-15
03.40.30-0.....	3-8	03.45.20-0.....	3-7	03.47.25-MTA.....	3-6	03.50C8.30-0.....	3-10	03.55.125-0.....	3-15
03.40.30-MTA.....	3-8	03.45.20-MTA.....	3-7	03.47.30-0.....	3-6	03.50C8.35-0.....	3-10	03.55.150-0.....	3-15
03.40.35-0.....	3-8	03.45.25-0.....	3-7	03.47.30-MTA.....	3-6	03.50C8.40-0.....	3-10	03.55.175-0.....	3-15
03.40.40-0.....	3-8	03.45.25-MTA.....	3-7	03.4712-0.....	3-35	03.50C8.50-0.....	3-10	03.55.200-0.....	3-15
03.40.40-MTA.....	3-8	03.45.30-0.....	3-7	03.4714-0.....	3-35	03.50C8.70-0.....	3-10	03.55.30-0.....	3-15
03.40L.02-0.....	3-8	03.45.30-MTA.....	3-7	03.4718-0.....	3-35	03.50C8.80-0.....	3-10	03.55.40-0.....	3-15
03.40L.03.0.....	3-8	03.45L.02-0.....	3-7	03.4720-0.....	3-35	03.50C8.60-0.....	3-10	03.55.50-0.....	3-15
03.40L.04-0.....	3-8	03.45L.03-0.....	3-7	03.47L.02-0.....	3-6	03.50L.100-0.....	3-9	03.55.60-0.....	3-15
03.40L.05-0.....	3-8	03.45L.04-0.....	3-7	03.47L.03-0.....	3-6	03.50L.120-0.....	3-9	03.55.70-0.....	3-15
03.40L.075-0.....	3-8	03.45L.05-0.....	3-7	03.47L.04-0.....	3-6	03.50L.20-0.....	3-9	03.55.80-0.....	3-15
03.40L.10-0.....	3-8	03.45L.075-0.....	3-7	03.47L.05-0.....	3-6	03.50L.25-0.....	3-9	03.550.050-0.....	3-19
03.40L.15-0.....	3-8	03.45L.10-0.....	3-7	03.47L.075-0.....	3-6	03.50L.30-0.....	3-9	03.550.075-0.....	3-19
03.40L.20-0.....	3-8	03.45L.15-0.....	3-7	03.47L.10-0.....	3-6	03.50L.35-0.....	3-9	03.550.100-0.....	3-19
03.40L.25-0.....	3-8	03.45L.20-0.....	3-7	03.47L.15-0.....	3-6	03.50L.40-0.....	3-9	03.550.150-0.....	3-19
03.40L.30-0.....	3-8	03.45L.25-0.....	3-7	03.47L.20-0.....	3-6	03.50L.50-0.....	3-9	03.550.175-0.....	3-19
03.40L.35-0.....	3-8	03.45L.30-0.....	3-7	03.47L.25-0.....	3-6	03.50L.60-0.....	3-9	03.550.200-0.....	3-19
03.40L.40-0.....	3-8	03.45L.35-0.....	3-7	03.47L.30-0.....	3-6	03.50L.70-0.....	3-9	03.550.250-0.....	3-19
03.40RA.05-0.....	3-11	03.45RA.05-0.....	3-13	03.49.05-0.....	3-5	03.50L.80-0.....	3-9	03.550.300-0.....	3-19
03.40RA.05-E.....	3-11	03.45RA.05-E.....	3-13	03.49.05-LF.....	3-5	03.510-1.....	3-104	03.550.125-0.....	3-19
03.40RA.06-0.....	3-11	03.45RA.075-0.....	3-13	03.49.075-0.....	3-5	03.520-1.....	3-105	03.551.1.25-0.....	3-30
03.40RA.075-E.....	3-11	03.45RA.075-E.....	3-13	03.49.075-LF.....	3-5	03.521-1.....	3-105	03.551.1.6-0.....	3-30
03.40RA.08-0.....	3-11	03.45RA.10-0.....	3-13	03.49.10-0.....	3-5	03.522-1.....	3-105	03.551.1-0.....	3-30
03.40RA.10-0.....	3-11	03.45RA.10-E.....	3-13	03.49.10-LF.....	3-5	03.530-1.....	3-106	03.551.10-0.....	3-30
03.40RA.10-E.....	3-11	03.45RA.15-0.....	3-13	03.49.15-0.....	3-5	03.531-1.....	3-106	03.551.12-0.....	3-30
03.40RA.15-0.....	3-11	03.45RA.15-E.....	3-13	03.49.15-LF.....	3-5	03.532-1.....	3-106	03.551.15-0.....	3-30
03.40RA.15-E.....	3-11	03.45RA.20-0.....	3-13	03.49.20-0.....	3-5	03.533-1.....	3-106	03.551.2.5-0.....	3-30
03.40RA.20-0.....	3-11	03.45RA.20-E.....	3-13	03.49.20-LF.....	3-5	03.536-1.....	3-106	03.551.2-0.....	3-30
03.40RA.20-E.....	3-11	03.45RA.25-0.....	3-13	03.49.25-0.....	3-5	03.538-1.....	3-106	03.551.20-0.....	3-30
03.40RA.25-0.....	3-11	03.45RA.25-E.....	3-13	03.49.25-LF.....	3-5	03.539-1.....	3-106	03.551.25-0.....	3-30
03.40RA.25-E.....	3-11	03.45RA.30-0.....	3-13	03.49.30-0.....	3-5	03.547.100-0.....	3-17	03.551.3.15-0.....	3-30
03.40RA.30-0.....	3-11	03.45RA.30-E.....	3-13	03.49.30-LF.....	3-5	03.547.125-0.....	3-17	03.551.3-0.....	3-30
03.40RA.30-E.....	3-11	03.45RM.05-0.....	3-13	03.493.05-0.....	3-5	03.547.130-0.....	3-17	03.551.30-0.....	3-30
03.40RM.05-0.....	3-11	03.45RM.05-E.....	3-13	03.493.05-LF.....	3-5	03.547.135-0.....	3-17	03.551.4-0.....	3-30
03.40RM.05-E.....	3-11	03.45RM.075-0.....	3-13	03.493.075-0.....	3-5	03.547.150-0.....	3-17	03.551.40-0.....	3-30
03.40RM.06-0.....	3-11	03.45RM.075-E.....	3-13	03.493.075-LF.....	3-5	03.547.160-0.....	3-17	03.551.5-0.....	3-30
03.40RM.075-E.....	3-11	03.45RM.10-0.....	3-13	03.493.10-0.....	3-5	03.547.175-0.....	3-17	03.551.500-0.....	3-30
03.40RM.08-0.....	3-11	03.45RM.10-E.....	3-13	03.493.10-LF.....	3-5	03.547.200-0.....	3-17	03.551.6.3-0.....	3-30
03.40RM.10-0.....	3-11	03.45RM.15-0.....	3-13	03.493.15-0.....	3-5	03.547.225-0.....	3-17	03.551.6-0.....	3-30
03.40RM.10-E.....	3-11	03.45RM.15-E.....	3-13	03.493.15-LF.....	3-5	03.547.250-0.....	3-17	03.551.630-0.....	3-30
03.40RM.15-0.....	3-11	03.45RM.20-0.....	3-13	03.50.100-0.....	3-9	03.547.275-0.....	3-17	03.551.8-0.....	3-30
03.40RM.15-E.....	3-11	03.45RM.20-E.....	3-13	03.50.100-MTA.....	3-9	03.547.300-0.....	3-17	03.551.800-0.....	3-30
03.40RM.20-0.....	3-11	03.45RM.25-0.....	3-13	03.50.20-0.....	3-9	03.547.325-0.....	3-17	03.552.1.25-0.....	3-30
03.40RM.20-E.....	3-11	03.45RM.25-E.....	3-13	03.50.20-MTA.....	3-9	03.547.35-0.....	3-17	03.552.1.6-0.....	3-30
03.40RM.25-0.....	3-11	03.45RM.30-0.....	3-13	03.50.30-0.....	3-9	03.547.355-0.....	3-17	03.552.1-0.....	3-30
03.40RM.25-E.....	3-11	03.45RM.30-E.....	3-13	03.50.30-MTA.....	3-9	03.547.40-0.....	3-17	03.552.10-0.....	3-30
03.40RM.30-0.....	3-11	03.45RR.05-0.....	3-14	03.50.40-0.....	3-9	03.547.400-0.....	3-17	03.552.12-0.....	3-30
03.40RM.30-E.....	3-11	03.45RR.075-0.....	3-14	03.50.40-MTA.....	3-9	03.547.425-0.....	3-17	03.552.15-0.....	3-30



Art.	Art.	Art.	Art.	Art.	Art.
03.552.2.5-0	3-30	03.555.7-0	3-31	03.65.01-0	3-29
03.552.2-0	3-30	03.555.70-0	3-31	03.65.02-0	3-29
03.552.3.15-0	3-30	03.555.8-0	3-31	03.65.04-0	3-29
03.552.3-0	3-30	03.555.80-0	3-31	03.65.05-0	3-29
03.552.4-0	3-30	03.555.800-0	3-31	03.65.06-0	3-29
03.552.5-0	3-30	03.56.05-0	3-27	03.65.075-0	3-29
03.552.500-0	3-30	03.56.05-MTA	3-27	03.65.10-0	3-29
03.552.6.3-0	3-30	03.56.08-0	3-27	03.65.12-0	3-29
03.552.6-0	3-30	03.56.08-MTA	3-27	03.65.15-0	3-29
03.552.630-0	3-30	03.56.10-0	3-27	03.65.20-0	3-29
03.552.8-0	3-30	03.56.16-0	3-27	03.65.25-0	3-29
03.552.800-0	3-30	03.56.16-MTA	3-27	03.65.30-0	3-29
03.553.1.25-0	3-30	03.56.25-0	3-27	03.65.35-0	3-29
03.553.1.6-0	3-30	03.56.25-MTA	3-27	03.65.40-0	3-29
03.553.1-0	3-30	03.56.40-0	3-27	03.65.45-0	3-29
03.553.10-0	3-30	03.560-1	3-33	03.65.50-0	3-29
03.553.12-0	3-30	03.561-1	3-33	03.65.500-1	3-29
03.553.15-0	3-30	03.562-1	3-33	03.65.60-0	3-29
03.553.2.5-0	3-30	03.564-1	3-33	03.65.70-0	3-29
03.553.2-0	3-30	03.565.030-0	3-19	03.65.80-0	3-29
03.553.3.15-0	3-30	03.565.040-0	3-19	03.650-1	3-109
03.553.3-0	3-30	03.565.050-0	3-19	03.651-1	3-109
03.553.4-0	3-30	03.565.060-0	3-19	03.652-1	3-109
03.553.5-0	3-30	03.565.080-0	3-19	03.653-1	3-109
03.553.500-0	3-30	03.565.110-0	3-19	03.654-1	3-109
03.553.6.3-0	3-30	03.565.150-0	3-19	03.655-1	3-109
03.553.6-0	3-30	03.565.175-0	3-19	03.656-1	3-109
03.553.630-0	3-30	03.565.200-0	3-19	03.657-1	3-109
03.553.8-0	3-30	03.565.250-0	3-19	03.658-1	3-109
03.553.800-0	3-30	03.570-1	3-36	03.672-1	3-109
03.554.1.25-0	3-31	03.571-1	3-36	03.674-1	3-109
03.554.1.6-0	3-31	03.572-1	3-36	03.675-1	3-109
03.554.1-0	3-31	03.573-1	3-36	03.676-1	3-109
03.554.10-0	3-31	03.574-1	3-36	03.677-1	3-109
03.554.12-0	3-31	03.576-1	3-36	03.70.100-0	3-20
03.554.15-0	3-31	03.578-1	3-36	03.70.120-0	3-20
03.554.2.5-0	3-31	03.60.100-0	3-15	03.70.20-0	3-20
03.554.2-0	3-31	03.60.125-0	3-15	03.70.30-0	3-20
03.554.3.15-0	3-31	03.60.150-0	3-15	03.70.40-0	3-20
03.554.3-0	3-31	03.60.175-0	3-15	03.70.50-0	3-20
03.554.4-0	3-31	03.60.200-0	3-15	03.70.60-0	3-20
03.554.5-0	3-31	03.60.225-0	3-15	03.70.70-0	3-20
03.554.500-0	3-31	03.60.250-0	3-15	03.70.80-0	3-20
03.554.6.3-0	3-31	03.60.300-0	3-15	03.70L.100-0	3-20
03.554.6-0	3-31	03.60.350-0	3-15	03.70L.20-0	3-20
03.554.630-0	3-31	03.60.400-0	3-15	03.70L.30-0	3-20
03.554.8-0	3-31	03.60.450-0	3-15	03.70L.40-0	3-20
03.554.800-0	3-31	03.60.500-0	3-15	03.70L.50-0	3-20
03.555.1.25-0	3-31	03.60.80-0	3-15	03.70L.60-0	3-20
03.555.1.6-0	3-31	03.604-1	3-107	03.70L.70-0	3-20
03.555.1-0	3-31	03.605-1	3-107	03.70L.80-0	3-20
03.555.10-0	3-31	03.607-1	3-107	03.71.100-0	3-20
03.555.100-0	3-31	03.608-1	3-107	03.71.120-0	3-20
03.555.12-0	3-31	03.609-1	3-107	03.71.20-0	3-20
03.555.15-0	3-31	03.60C.100-0	3-15	03.71.30-0	3-20
03.555.16-0	3-31	03.60C.125-0	3-15	03.71.40-0	3-20
03.555.2.5-0	3-31	03.60C.150-0	3-15	03.71.50-0	3-20
03.555.2-0	3-31	03.60C.175-0	3-15	03.71.60-0	3-20
03.555.20-0	3-31	03.60C.200-0	3-15	03.71.70-0	3-20
03.555.25-0	3-31	03.60C.225-0	3-15	03.71.80-0	3-20
03.555.3.15-0	3-31	03.60C.250-0	3-15	03.714-1	3-110
03.555.30-0	3-31	03.60C.80-0	3-15	03.715-1	3-121
03.555.35-0	3-31	03.620-1	3-108	03.72.100-0	3-21
03.555.4-0	3-31	03.621-1	3-108	03.72.120-0	3-21
03.555.40-0	3-31	03.622-1	3-108	03.72.20-0	3-21
03.555.5-0	3-31	03.624-1	3-108	03.72.30-0	3-21
03.555.50-0	3-31	03.625-1	3-108	03.72.40-0	3-21
03.555.6.3-0	3-31	03.629-1	3-108	03.72.50-0	3-21
03.555.60-0	3-31	03.630-1	3-108	03.72.60-0	3-21
03.72.70-0	3-21	03.77L.80-0	3-24	03.72L.100-0	3-21
03.72.80-0	3-21	03.78.45-0	3-24	03.72L.120-0	3-21
03.72L.100-0	3-21	03.78.65-0	3-24	03.72L.20-0	3-21
03.72L.120-0	3-21	03.78.75-0	3-24	03.72L.30-0	3-21
03.72L.20-0	3-21	03.78L.45-0	3-24	03.72L.40-0	3-21
03.72L.30-0	3-21	03.78L.65-0	3-24	03.72L.50-0	3-21
03.72L.40-0	3-21	03.78L.75-0	3-24	03.72L.60-0	3-21
03.72L.50-0	3-21	03.79.100-0	3-24	03.72L.70-0	3-21
03.72L.60-0	3-21	03.79.120-0	3-24	03.72L.80-0	3-21
03.72L.70-0	3-21	03.79.20-0	3-24	03.73.20-0	3-21
03.72L.80-0	3-21	03.79.30-0	3-24	03.73.30-0	3-21
03.73.20-0	3-21	03.79.40-0	3-24	03.73.40-0	3-21
03.73.30-0	3-21	03.79.50-0	3-24	03.73.50-0	3-21
03.73.40-0	3-21	03.79.60-0	3-24	03.73.60-0	3-21
03.73.50-0	3-21	03.79.70-0	3-24	03.73.70-0	3-21
03.73.60-0	3-21	03.79.80-0	3-24	03.73.80-0	3-21
03.73.70-0	3-21	03.79L.100-0	3-25	03.73L.20-0	3-22
03.73.80-0	3-21	03.79L.120-0	3-25	03.73L.30-0	3-22
03.73L.20-0	3-22	03.79L.20-0	3-25	03.73L.40-0	3-22
03.73L.30-0	3-22	03.79L.30-0	3-25	03.73L.50-0	3-22
03.73L.40-0	3-22	03.79L.40-0	3-25	03.73L.60-0	3-22
03.73L.50-0	3-22	03.79L.50-0	3-25	03.73L.70-0	3-22
03.74.100-0	3-22	03.79L.60-0	3-25	03.73L.80-0	3-22
03.74.20-0	3-22	03.79L.70-0	3-25	03.74.100-0	3-22
03.74.25-0	3-22	03.79L.80-0	3-25	03.74.20-0	3-22
03.74.30-0	3-22	03.900-0	3-116	03.74.25-0	3-22
03.74.40-0	3-22	03.901-0	3-116	03.74.30-0	3-22
03.74.50-0	3-22	03.902-0	3-116	03.74.40-0	3-22
03.74.60-0	3-22	03.903-0	3-116	03.74.50-0	3-22
03.74.70-0	3-22	03.904-0	3-116	03.74.60-0	3-22
03.74.80-0	3-22	03.905-0	3-116	03.74.70-0	3-22
03.74L.100-0	3-22	03.906-0	3-117	03.74.80-0	3-22
03.74L.25-0	3-22	03.907-0	3-117	03.74L.100-0	3-22
03.74L.30-0	3-22	03.910-0	3-118	03.74L.25-0	3-22
03.74L.40-0	3-22	03.911-0	3-118	03.74L.30-0	3-22
03.74L.50-0	3-22	03.912-0	3-118	03.74L.40-0	3-22
03.74L.60-0	3-22	03.913-0	3-118	03.74L.50-0	3-22
03.74L.70-0	3-22	03.914-0	3-119	03.74L.60-0	3-22
03.74L.80-0	3-22	03.915-0	3-119	03.74L.70-0	3-22
03.76.100-0	3-23	03.916-0	3-120	03.74L.80-0	3-22
03.76.120-0	3-23	03.917-0	3-119	03.76.100-0	3-23
03.76.20-0	3-23	03.918-0	3-119	03.76.120-0	3-23
03.76.30-0	3-23	03.919-0	3-119	03.76.20-0	3-23
03.76.40-0	3-23	03.920-0	3-120	03.76.30-0	3-23
03.76.50-0	3-23	03.921-0	3-120	03.76.40-0	3-23
03.76.60-0	3-23	03.922-0	3-120	03.76.50-0	3-23
03.76.70-0	3-23	03.923-0	3-120	03.76.60-0	3-23
03.76.80-0	3-23	03.924-0	3-120	03.76.70-0	3-23
03.77.100-0	3-23	03.930-0	3-121	03.76.80-0	3-23
03.77.120-0	3-23	03.AMT100-0	3-123	03.77.100-0	3-23
03.77.20-0	3-23	03.AMT120-0	3-123	03.77.120-0	3-23
03.77.30-0	3-23	03.AMT20-0	3-123	03.77.20-0	3-23
03.77.40-0	3-23	03.AMT25-0	3-123	03.77.30-0	3-23
03.77.50-0	3-23	03.AMT30-0	3-123	03.77.40-0	3-23
03.77.60-0	3-23	03.AMT35-0	3-123	03.77.50-0	3-23
03.77.70-0	3-23	03.AMT40-0	3-123	03.77.60-0	3-23
03.77.80-0	3-23	03.AMT50-0	3-123	03.77.70-0	3-23
03.77L.100-0	3-23	03.AMT60-0	3-123	03.77.80-0	3-23
03.77L.120-0	3-23	03.AMT70-0	3-123	03.77L.100-0	3-23
03.77L.140-0	3-23	03.AMT80-0	3-123	03.77L.120-0	3-23
03.77L.20-0	3-23	03.ANE100-0	3-124	03.77L.140-0	3-23
03.77L.30-0	3-23	03.ANE125-0	3-124	03.77L.20-0	3-23
03.77L.40-0	3-23	03.ANE130-0	3-124	03.77L.30-0	3-23
03.77L.50-0	3-23	03.ANE150-0	3-124	03.77L.40-0	3-23
03.77L.60-0	3-23	03.ANE175-0	3-124	03.77L.50-0	3-23
03.77L.70-0	3-23	03.ANE200-0	3-124	03.77L.60-0	3-23
		03.ANE225-0	3-124	03.77L.70-0	3-23
		03.ANE250-0	3-124		
		03.ANE275-0	3-124		



Art.		Art.		Art.		Art.		Art.	
03.ANE300-0	3-124	03.JCASELP.20-0	3-25	1306-1.5 A	3-93	1308-130 A	3-93	1312-160 mA	3-94
03.ANE325-0	3-124	03.JCASELP.25-0	3-25	1306-1.6 A	3-93	1308-15 A	3-93	1312-2 A	3-94
03.ANE350-0	3-124	03.JCASELP.30-0	3-25	1306-10 A	3-93	1308-150 A	3-93	1312-2.5 A	3-94
03.ANE400-0	3-124	03.JCASELP.40-0	3-25	1306-12 A	3-93	1308-16 A	3-93	1312-20 A	3-94
03.ANE500-0	3-124	03.JCASELP.50-0	3-25	1306-15 A	3-93	1308-2 A	3-93	1312-200 mA	3-94
03.ANE60-0	3-124	03.JCASELP.60-0	3-25	1306-16 A	3-93	1308-2.5 A	3-93	1312-25 A	3-94
03.ANE70-0	3-124	03.MCASE.15-0	3-25	1306-1A	3-93	1308-20 A	3-93	1312-250 mA	3-94
03.ANE80-0	3-124	03.MCASE.20-0	3-25	1306-2 A	3-93	1308-25 A	3-93	1312-3 A	3-94
03.ATQ01-0	3-123	03.MCASE.25-0	3-25	1306-2.5 A	3-93	1308-3 A	3-93	1312-3.15 A	3-94
03.ATQ02-0	3-123	03.MCASE.30-0	3-25	1306-20 A	3-93	1308-3.15 A	3-93	1312-3.5 A	3-94
03.ATQ03-0	3-123	03.MCASE.40-0	3-25	1306-25 A	3-93	1308-3.5 A	3-93	1312-30 A	3-94
03.ATQ04-0	3-123	1301-1 A	3-89	1306-250 mA	3-93	1308-30 A	3-93	1312-300 mA	3-94
03.ATQ05-0	3-123	1301-1.25 A	3-89	1306-3.5 A	3-93	1308-35 A	3-93	1312-315 mA	3-94
03.ATQ075-0	3-123	1301-1.6 A	3-89	1306-30 A	3-93	1308-4 A	3-93	1312-350 mA	3-94
03.ATQ10-0	3-123	1301-10 A	3-89	1306-300 mA	3-93	1308-40 A	3-93	1312-4 A	3-94
03.ATQ15-0	3-123	1301-12 A	3-89	1306-315 mA	3-93	1308-45 A	3-93	1312-400 mA	3-94
03.ATQ20-0	3-123	1301-15 A	3-89	1306-350 mA	3-93	1308-5 A	3-93	1312-5 A	3-94
03.ATQ25-0	3-123	1301-16 A	3-89	1306-4 A	3-93	1308-50 A	3-93	1312-50 mA	3-94
03.ATQ30-0	3-123	1301-2 A	3-89	1306-400 mA	3-93	1308-6 A	3-93	1312-500 mA	3-94
03.ATQ35-0	3-123	1301-2.5 A	3-89	1306-5 A	3-93	1308-6.3 A	3-93	1312-6 A	3-94
03.ATQ40-0	3-123	1301-20 A	3-89	1306-500 mA	3-93	1308-60 A	3-93	1312-6.3 A	3-94
03.ATQ80-0	3-123	1301-25 A	3-89	1306-6 A	3-93	1308-7 A	3-93	1312-60 mA	3-94
03.AUE01-0	3-122	1301-3.15 A	3-89	1306-6.3 A	3-93	1308-7.5 A	3-93	1312-600 mA	3-94
03.AUE01-IL	3-122	1301-30 A	3-89	1306-600 mA	3-93	1308-70 A	3-93	1312-63 mA	3-94
03.AUE02-0	3-122	1301-4 A	3-89	1306-630 mA	3-93	1308-8 A	3-93	1312-630 mA	3-94
03.AUE02-IL	3-122	1301-5 A	3-89	1306-7 A	3-93	1308-80 A	3-93	1312-7 A	3-94
03.AUE03-0	3-122	1301-6.3 A	3-89	1306-7.5 A	3-93	1308-800 mA	3-93	1312-7.5 A	3-94
03.AUE03-IL	3-122	1301-7 A	3-89	1306-700 mA	3-93	1311-1 A	3-90	1312-700 mA	3-94
03.AUE04-0	3-122	1301-8 A	3-89	1306-750 mA	3-93	1311-1.25 A	3-90	1312-750 mA	3-94
03.AUE04-IL	3-122	1301-800 mA	3-89	1306-8 A	3-93	1311-1.6 A	3-90	1312-8 A	3-94
03.AUE05-0	3-122	1303-1 A	3-89	1306-800 mA	3-93	1311-10 A	3-90	1312-80 mA	3-94
03.AUE05-IL	3-122	1303-1.25 A	3-89	1307-1 A	3-90	1311-100 mA	3-90	1312-800 mA	3-94
03.AUE06-0	3-122	1303-1.6 A	3-89	1307-1.25 A	3-90	1311-12 A	3-90	1313-1 A	3-91
03.AUE06-IL	3-122	1303-10 A	3-89	1307-1.6 A	3-90	1311-125 mA	3-90	1313-1.25 A	3-91
03.AUE075-0	3-122	1303-12 A	3-89	1307-10 A	3-90	1311-15 A	3-90	1313-1.6 A	3-91
03.AUE075-IL	3-122	1303-15 A	3-89	1307-100 A	3-90	1311-16 A	3-90	1313-10 A	3-91
03.AUE10-0	3-122	1303-16 A	3-89	1307-12 A	3-90	1311-160 mA	3-90	1313-100 mA	3-91
03.AUE10-IL	3-122	1303-2 A	3-89	1307-120 A	3-90	1311-2 A	3-90	1313-12 A	3-91
03.AUE15-0	3-122	1303-2.5 A	3-89	1307-125 A	3-90	1311-2.5 A	3-90	1313-125 mA	3-91
03.AUE15-IL	3-122	1303-20 A	3-89	1307-15 A	3-90	1311-20 A	3-90	1313-15 A	3-91
03.AUE20-0	3-122	1303-25 A	3-89	1307-150 A	3-90	1311-200 mA	3-90	1313-16 A	3-91
03.AUE20-IL	3-122	1303-3.15 A	3-89	1307-16 A	3-90	1311-25 A	3-90	1313-160 mA	3-91
03.AUE25-0	3-122	1303-30 A	3-89	1307-2 A	3-90	1311-250 mA	3-90	1313-2 A	3-91
03.AUE25-IL	3-122	1303-4 A	3-89	1307-2.5 A	3-90	1311-3.15 A	3-90	1313-2.5 A	3-91
03.AUE30-0	3-122	1303-5 A	3-89	1307-20 A	3-90	1311-30 A	3-90	1313-20 A	3-91
03.AUE30-IL	3-122	1303-6.3 A	3-89	1307-25 A	3-90	1311-315 mA	3-90	1313-200 mA	3-91
03.AUE35-0	3-122	1303-7 A	3-89	1307-3.15 A	3-90	1311-4 A	3-90	1313-25 A	3-91
03.AUE35-IL	3-122	1303-8 A	3-89	1307-30 A	3-90	1311-400 mA	3-90	1313-250 mA	3-91
03.AUE40-0	3-122	1303-800 mA	3-89	1307-35 A	3-90	1311-5 A	3-90	1313-3.15 A	3-91
03.AUE40-IL	3-122	1305-1 A	3-89	1307-4 A	3-90	1311-50 mA	3-90	1313-30 A	3-91
03.AUE50-0	3-122	1305-1.25 A	3-89	1307-40 A	3-90	1311-500 mA	3-90	1313-315 mA	3-91
03.AUE50-IL	3-122	1305-1.6 A	3-89	1307-5 A	3-90	1311-6.3 A	3-90	1313-4 A	3-91
03.AUE60-0	3-122	1305-10 A	3-89	1307-50 A	3-90	1311-63 mA	3-90	1313-400 mA	3-91
03.AUE60-IL	3-122	1305-12 A	3-89	1307-6.3 A	3-90	1311-630 mA	3-90	1313-5 A	3-91
03.AUE70-0	3-122	1305-15 A	3-89	1307-60 A	3-90	1311-7 A	3-90	1313-50 mA	3-91
03.AUE70-IL	3-122	1305-16 A	3-89	1307-7 A	3-90	1311-8 A	3-90	1313-500 mA	3-91
03.AUE80-0	3-122	1305-2 A	3-89	1307-70 A	3-90	1311-80 mA	3-90	1313-6.3 A	3-91
03.AUE80-IL	3-122	1305-2.5 A	3-89	1307-8 A	3-90	1311-800 mA	3-90	1313-63 mA	3-91
03.CAL.1-0	3-16	1305-20 A	3-89	1307-80 A	3-90	1312-1 A	3-94	1313-630 mA	3-91
03.CAL.2-0	3-16	1305-25 A	3-89	1307-800 mA	3-90	1312-1.25 A	3-94	1313-7 A	3-91
03.CAL.3-0	3-16	1305-3.15 A	3-89	1308-1 A	3-93	1312-1.5 A	3-94	1313-8 A	3-91
03.CAL.4-0	3-16	1305-30 A	3-89	1308-1.25 A	3-93	1312-1.6 A	3-94	1313-80 mA	3-91
03.CAL.5-0	3-16	1305-4 A	3-89	1308-1.5 A	3-93	1312-10 A	3-94	1313-800 mA	3-91
03.JCASE.20-0	3-25	1305-5 A	3-89	1308-1.6 A	3-93	1312-100 mA	3-94	1314-1 A	3-95
03.JCASE.25-0	3-25	1305-6.3 A	3-89	1308-10 A	3-93	1312-12 A	3-94	1314-1.25 A	3-95
03.JCASE.30-0	3-25	1305-7 A	3-89	1308-100 A	3-93	1312-125 mA	3-94	1314-1.5 A	3-95
03.JCASE.40-0	3-25	1305-8 A	3-89	1308-12 A	3-93	1312-15 A	3-94	1314-1.6 A	3-95
03.JCASE.50-0	3-25	1305-800 mA	3-89	1308-120 A	3-93	1312-150 mA	3-94	1314-10 A	3-95
03.JCASE.60-0	3-25	1306-1.25 A	3-93	1308-125 A	3-93	1312-16 A	3-94	1314-100 mA	3-95



Art.	Art.	Art.	Art.	Art.	Art.				
1314-12 A.....	3-95	1316-1.25 A.....	3-96	1317-7 A.....	3-92	1319-500 mA.....	3-92	1701-6.3 A.....	3-99
1314-125 mA.....	3-95	1316-1.5 A.....	3-96	1317-8 A.....	3-92	1319-6.3 A.....	3-92	1701-63 mA.....	3-99
1314-15 A.....	3-95	1316-1.6 A.....	3-96	1317-80 mA.....	3-92	1319-63 mA.....	3-92	1701-630 mA.....	3-99
1314-150 mA.....	3-95	1316-10 A.....	3-96	1317-800 mA.....	3-92	1319-630 mA.....	3-92	1701-7 A.....	3-99
1314-16 A.....	3-95	1316-100 mA.....	3-96	1318-1 A.....	3-97	1319-7 A.....	3-92	1701-8 A.....	3-99
1314-160 mA.....	3-95	1316-12 A.....	3-96	1318-1.25 A.....	3-97	1319-8 A.....	3-92	1701-80 mA.....	3-99
1314-2 A.....	3-95	1316-125 mA.....	3-96	1318-1.5 A.....	3-97	1319-80 mA.....	3-92	1701-800 mA.....	3-99
1314-2.5 A.....	3-95	1316-15 A.....	3-96	1318-1.6 A.....	3-97	1319-800 mA.....	3-92	1702-1 A.....	3-99
1314-20 A.....	3-95	1316-150 mA.....	3-96	1318-10 A.....	3-97	1320-1 A.....	3-98	1702-1.25 A.....	3-99
1314-200 mA.....	3-95	1316-16 A.....	3-96	1318-100 mA.....	3-97	1320-1.25 A.....	3-98	1702-1.6 A.....	3-99
1314-25 A.....	3-95	1316-160 mA.....	3-96	1318-12 A.....	3-97	1320-1.5 A.....	3-98	1702-10 A.....	3-99
1314-250 mA.....	3-95	1316-2 A.....	3-96	1318-125 mA.....	3-97	1320-1.6 A.....	3-98	1702-100 mA.....	3-99
1314-3 A.....	3-95	1316-2.5 A.....	3-96	1318-15 A.....	3-97	1320-10 A.....	3-98	1702-125 mA.....	3-99
1314-3.15 A.....	3-95	1316-20 A.....	3-96	1318-150 mA.....	3-97	1320-100 mA.....	3-98	1702-160 mA.....	3-99
1314-3.5 A.....	3-95	1316-200 mA.....	3-96	1318-16 A.....	3-97	1320-12 A.....	3-98	1702-2 A.....	3-99
1314-30 A.....	3-95	1316-25 A.....	3-96	1318-160 mA.....	3-97	1320-125 mA.....	3-98	1702-2.5 A.....	3-99
1314-300 mA.....	3-95	1316-250 mA.....	3-96	1318-2 A.....	3-97	1320-15 A.....	3-98	1702-200 mA.....	3-99
1314-315 mA.....	3-95	1316-3 A.....	3-96	1318-2.5 A.....	3-97	1320-150 mA.....	3-98	1702-250 mA.....	3-99
1314-350 mA.....	3-95	1316-3.15 A.....	3-96	1318-20 A.....	3-97	1320-16 A.....	3-98	1702-3.15 A.....	3-99
1314-4 A.....	3-95	1316-3.5 A.....	3-96	1318-200 mA.....	3-97	1320-160 mA.....	3-98	1702-315 mA.....	3-99
1314-400 mA.....	3-95	1316-30 A.....	3-96	1318-25 A.....	3-97	1320-2 A.....	3-98	1702-4 A.....	3-99
1314-5 A.....	3-95	1316-300 mA.....	3-96	1318-250 mA.....	3-97	1320-2.5 A.....	3-98	1702-400 mA.....	3-99
1314-50 mA.....	3-95	1316-315 mA.....	3-96	1318-3 A.....	3-97	1320-20 A.....	3-98	1702-5 A.....	3-99
1314-500 mA.....	3-95	1316-350 mA.....	3-96	1318-3.15 A.....	3-97	1320-200 mA.....	3-98	1702-50 mA.....	3-99
1314-6 A.....	3-95	1316-4 A.....	3-96	1318-3.5 A.....	3-97	1320-25 A.....	3-98	1702-500 mA.....	3-99
1314-6.3 A.....	3-95	1316-400 mA.....	3-96	1318-30 A.....	3-97	1320-250 mA.....	3-98	1702-6.3 A.....	3-99
1314-60 mA.....	3-95	1316-5 A.....	3-96	1318-300 mA.....	3-97	1320-3 A.....	3-98	1702-63 mA.....	3-99
1314-600 mA.....	3-95	1316-50 mA.....	3-96	1318-315 mA.....	3-97	1320-3.15 A.....	3-98	1702-630 mA.....	3-99
1314-63 mA.....	3-95	1316-500 mA.....	3-96	1318-350 mA.....	3-97	1320-3.5 A.....	3-98	1702-7 A.....	3-99
1314-630 mA.....	3-95	1316-6 A.....	3-96	1318-4 A.....	3-97	1320-30 A.....	3-98	1702-8 A.....	3-99
1314-7 A.....	3-95	1316-6.3 A.....	3-96	1318-400 mA.....	3-97	1320-300 mA.....	3-98	1702-80 mA.....	3-99
1314-7.5 A.....	3-95	1316-60 mA.....	3-96	1318-5 A.....	3-97	1320-315 mA.....	3-98	1702-800 mA.....	3-99
1314-700 mA.....	3-95	1316-600 mA.....	3-96	1318-50 mA.....	3-97	1320-350 mA.....	3-98	1703-1 A.....	3-100
1314-750 mA.....	3-95	1316-63 mA.....	3-96	1318-500 mA.....	3-97	1320-4 A.....	3-98	1703-1.25 A.....	3-100
1314-8 A.....	3-95	1316-630 mA.....	3-96	1318-6 A.....	3-97	1320-400 mA.....	3-98	1703-1.5 A.....	3-100
1314-80 mA.....	3-95	1316-7 A.....	3-96	1318-6.3 A.....	3-97	1320-5 A.....	3-98	1703-1.6 A.....	3-100
1314-800 mA.....	3-95	1316-7.5 A.....	3-96	1318-600 mA.....	3-97	1320-50 mA.....	3-98	1703-10 A.....	3-100
1315-1 A.....	3-91	1316-700 mA.....	3-96	1318-63 mA.....	3-97	1320-500 mA.....	3-98	1703-101 mA.....	3-100
1315-1.25 A.....	3-91	1316-750 mA.....	3-96	1318-630 mA.....	3-97	1320-6 A.....	3-98	1703-125 mA.....	3-100
1315-1.6 A.....	3-91	1316-8 A.....	3-96	1318-7 A.....	3-97	1320-6.3 A.....	3-98	1703-160 mA.....	3-100
1315-10 A.....	3-91	1316-80 mA.....	3-96	1318-7.5 A.....	3-97	1320-600 mA.....	3-98	1703-2 A.....	3-100
1315-100 mA.....	3-91	1316-800 mA.....	3-96	1318-700 mA.....	3-97	1320-63 mA.....	3-98	1703-2.5 A.....	3-100
1315-12 A.....	3-91	1317-1 A.....	3-92	1318-750 mA.....	3-97	1320-630 mA.....	3-98	1703-200 mA.....	3-100
1315-125 mA.....	3-91	1317-1.25 A.....	3-92	1318-8 A.....	3-97	1320-7 A.....	3-98	1703-250 mA.....	3-100
1315-15 A.....	3-91	1317-1.6 A.....	3-92	1318-80 mA.....	3-97	1320-7.5 A.....	3-98	1703-3 A.....	3-100
1315-16 A.....	3-91	1317-10 A.....	3-92	1318-800 mA.....	3-97	1320-700 mA.....	3-98	1703-3.15 A.....	3-100
1315-160 mA.....	3-91	1317-100 mA.....	3-92	1319-1 A.....	3-92	1320-750 mA.....	3-98	1703-3.5 A.....	3-100
1315-2 A.....	3-91	1317-12 A.....	3-92	1319-1.25 A.....	3-92	1320-8 A.....	3-98	1703-300 mA.....	3-100
1315-2.5 A.....	3-91	1317-125 mA.....	3-92	1319-1.6 A.....	3-92	1320-80 mA.....	3-98	1703-315 mA.....	3-101
1315-20 A.....	3-91	1317-15 A.....	3-92	1319-10 A.....	3-92	1320-800 mA.....	3-98	1703-4 A.....	3-101
1315-200 mA.....	3-91	1317-16 A.....	3-92	1319-100 mA.....	3-92	1520900U.....	3-71	1703-400 mA.....	3-101
1315-25 A.....	3-91	1317-160 mA.....	3-92	1319-12 A.....	3-92	1701-1 A.....	3-99	1703-5 A.....	3-101
1315-250 mA.....	3-91	1317-2 A.....	3-92	1319-125 mA.....	3-92	1701-1.25 A.....	3-99	1703-50 mA.....	3-101
1315-3.15 A.....	3-91	1317-2.5 A.....	3-92	1319-15 A.....	3-92	1701-1.6 A.....	3-99	1703-500 mA.....	3-101
1315-30 A.....	3-91	1317-20 A.....	3-92	1319-16 A.....	3-92	1701-10 A.....	3-99	1703-6.3 A.....	3-101
1315-315 mA.....	3-91	1317-200 mA.....	3-92	1319-160 mA.....	3-92	1701-100 mA.....	3-99	1703-60 Ma.....	3-101
1315-4 A.....	3-91	1317-25 A.....	3-92	1319-2 A.....	3-92	1701-125 mA.....	3-99	1703-600 mA.....	3-101
1315-400 mA.....	3-91	1317-250 mA.....	3-92	1319-2.5 A.....	3-92	1701-160 mA.....	3-99	1703-63 mA.....	3-101
1315-5 A.....	3-91	1317-3.15 A.....	3-92	1319-20 A.....	3-92	1701-2 A.....	3-99	1703-630 mA.....	3-101
1315-50 mA.....	3-91	1317-30 A.....	3-92	1319-200 mA.....	3-92	1701-2.5 A.....	3-99	1703-7 A.....	3-101
1315-500 mA.....	3-91	1317-315 mA.....	3-92	1319-25 A.....	3-92	1701-200 mA.....	3-99	1703-700 mA.....	3-101
1315-6.3 A.....	3-91	1317-4 A.....	3-92	1319-250 mA.....	3-92	1701-250 mA.....	3-99	1703-8 A.....	3-101
1315-63 mA.....	3-91	1317-400 mA.....	3-92	1319-3.15 A.....	3-92	1701-3.15 A.....	3-99	1703-80 mA.....	3-101
1315-630 mA.....	3-91	1317-5 A.....	3-92	1319-30 A.....	3-92	1701-315 mA.....	3-99	1703-800 mA.....	3-101
1315-7 A.....	3-91	1317-50 mA.....	3-92	1319-315 mA.....	3-92	1701-4 A.....	3-99	1704-1 A.....	3-101
1315-8 A.....	3-91	1317-500 mA.....	3-92	1319-4 A.....	3-92	1701-400 mA.....	3-99	1704-1.25 A.....	3-101
1315-80 mA.....	3-91	1317-6.3 A.....	3-92	1319-400 mA.....	3-92	1701-5 A.....	3-99	1704-1.5 A.....	3-101
1315-800 mA.....	3-91	1317-63 mA.....	3-92	1319-5 A.....	3-92	1701-50 mA.....	3-99	1704-1.6 A.....	3-101
1316-1 A.....	3-96	1317-630 mA.....	3-92	1319-50 mA.....	3-92	1701-500 mA.....	3-99	1704-10 A.....	3-101



Art.	Art.	Art.	Art.		
1704-100 mA.....	3-101	1712-500 mA.....	3-100	1714-8 A.....	3-101
1704-125 mA.....	3-101	1712-6.3 A.....	3-100	1714-80 mA.....	3-101
1704-160 mA.....	3-101	1712-63 mA.....	3-100	1714-800 mA.....	3-101
1704-2 A.....	3-101	1712-630 mA.....	3-100	33.00352-0.....	3-72
1704-2.5 A.....	3-101	1712-7 A.....	3-100	33.00359-0.....	3-68
1704-200 mA.....	3-101	1712-8 A.....	3-100	33.00391-0.....	3-69
1704-250 mA.....	3-101	1712-80 mA.....	3-100	33.00392-0.....	3-72
1704-3 A.....	3-101	1712-800 mA.....	3-100	33.00395-0.....	3-73
1704-3.15 A.....	3-101	1713-1 A.....	3-101	33.00415-0.....	3-69
1704-3.5 A.....	3-101	1713-1.25 A.....	3-101	33.00430-0.....	3-72
1704-300 mA.....	3-101	1713-1.5 A.....	3-102	33.00440-0.....	3-72
1704-315 mA.....	3-101	1713-1.6 A.....	3-102	33.00542-0.....	3-68
1704-4 A.....	3-101	1713-10 A.....	3-102	33.00562-0.....	3-67
1704-400 mA.....	3-101	1713-100 mA.....	3-102	33.00582-0.....	3-67
1704-5 A.....	3-101	1713-125 mA.....	3-102	33.00602-0.....	3-67
1704-50 mA.....	3-101	1713-160 mA.....	3-102	33.006-1.....	3-70
1704-500 mA.....	3-101	1713-2 A.....	3-102	33.00612-0.....	3-68
1704-6.3 A.....	3-101	1713-2.5 A.....	3-102	33.00670-0.....	3-67
1704-60 Ma.....	3-101	1713-200 mA.....	3-102	33.00690-0.....	3-72
1704-600 mA.....	3-101	1713-250 mA.....	3-102	33.00691-0.....	3-72
1704-63 mA.....	3-101	1713-3 A.....	3-102	33.008-1.....	3-70
1704-630 mA.....	3-101	1713-3.15 A.....	3-102	33.00848-0.....	3-73
1704-7 A.....	3-101	1713-3.5 A.....	3-102	33.00851-0.....	3-73
1704-700 mA.....	3-101	1713-300 mA.....	3-102	33.009-1.....	3-70
1704-8 A.....	3-101	1713-315 mA.....	3-102	33.00949-0.....	3-73
1704-80 mA.....	3-101	1713-4 A.....	3-102	33.01391-0.....	3-70
1704-800 mA.....	3-101	1713-400 mA.....	3-102	33.01392-0.....	3-71
1711-1 A.....	3-100	1713-5 A.....	3-102	33.05525-0.....	3-73
1711-1.25 A.....	3-100	1713-50 mA.....	3-102	33.05526-0.....	3-69
1711-1.6 A.....	3-100	1713-500 mA.....	3-102	33.05527-0.....	3-69
1711-10 A.....	3-100	1713-6.3 A.....	3-102	33.05528-0.....	3-69
1711-100 mA.....	3-100	1713-60 Ma.....	3-102	33.05529-0.....	3-69
1711-125 mA.....	3-100	1713-600 mA.....	3-102	33.05539-0.....	3-68
1711-160 mA.....	3-100	1713-63 mA.....	3-102	33.1068-0.....	3-73
1711-2 A.....	3-100	1713-630 mA.....	3-102	33.1068C-0.....	3-70
1711-2.5 A.....	3-100	1713-7 A.....	3-102	33.1069C-0.....	3-70
1711-200 mA.....	3-100	1713-700 mA.....	3-102	33.21200.....	3-71
1711-250 mA.....	3-100	1713-8 A.....	3-102	33.21210.....	3-71
1711-3.15 A.....	3-100	1713-80 mA.....	3-102	BP-0910.....	3-53
1711-315 mA.....	3-100	1713-800 mA.....	3-102	BP-0911.....	3-53
1711-4 A.....	3-100	1714-1 A.....	3-102	BP-0912.....	3-53
1711-400 mA.....	3-100	1714-1.25 A.....	3-102	BP-0913.....	3-53
1711-5 A.....	3-100	1714-1.5 A.....	3-102	BP-0914.....	3-54
1711-50 mA.....	3-100	1714-1.6 A.....	3-102	BP-0915.....	3-54
1711-500 mA.....	3-100	1714-10 A.....	3-102	CS-47-A.....	3-113
1711-6.3 A.....	3-100	1714-100 mA.....	3-102	CS-47-A1.....	3-114
1711-63 mA.....	3-100	1714-125 mA.....	3-102	CS-FU.....	3-111
1711-630 mA.....	3-100	1714-160 mA.....	3-102	CS-FU-2.....	3-111
1711-7 A.....	3-100	1714-2 A.....	3-102	CS-FU-3.....	3-114
1711-8 A.....	3-100	1714-2.5 A.....	3-102	CS-FU-3E.....	3-115
1711-80 mA.....	3-100	1714-200 mA.....	3-102	CS-FU-GB.....	3-115
1711-800 mA.....	3-100	1714-250 mA.....	3-102	CS-FU-LED.....	3-112
1712-1 A.....	3-100	1714-3 A.....	3-102	CS-FU-RE-1.....	3-112
1712-1.25 A.....	3-100	1714-3.15 A.....	3-102	CS-FU-RE-2.....	3-113
1712-1.6 A.....	3-100	1714-3.5 A.....	3-102	XB--PF07.....	3-44
1712-10 A.....	3-100	1714-300 mA.....	3-102		
1712-100 mA.....	3-100	1714-315 mA.....	3-102		
1712-125 mA.....	3-100	1714-4 A.....	3-102		
1712-160 mA.....	3-100	1714-400 mA.....	3-102		
1712-2 A.....	3-100	1714-5 A.....	3-102		
1712-2.5 A.....	3-100	1714-50 mA.....	3-101		
1712-200 mA.....	3-100	1714-500 mA.....	3-101		
1712-250 mA.....	3-100	1714-6.3 A.....	3-101		
1712-3.15 A.....	3-100	1714-60 Ma.....	3-101		
1712-315 mA.....	3-100	1714-600 mA.....	3-101		
1712-4 A.....	3-100	1714-63 mA.....	3-101		
1712-400 mA.....	3-100	1714-630 mA.....	3-101		
1712-5 A.....	3-100	1714-7 A.....	3-101		
1712-50 mA.....	3-100	1714-700 mA.....	3-101		



XB COMPONENTS



E198185

XB COMPONENTS

BARCELONA ::: C/ Holanda, 37-39. Pol. Montigalà ::: 08917 Badalona. BARCELONA ::: 93 497 00 22
MADRID ::: Av. Camino de lo Cortao, 28. Nave 5 ::: 28700 San Sebastián de los Reyes. MADRID ::: 91 659 11 93
FRANCE ::: 11, rue Paul Bert. ::: 94500 Champigny sur Marne - FRANCE ::: +33145163639
ITALIA ::: Via Belvedere Fogliense, 634 ::: 47836 Mondaino (Rimini) - ITALIA ::: +390541981656

www.xbcomponents.com