

Series 56

Characteristics

The compact Series 56 is especially suited for:

- Front mounting
- Rear mounting
- Glass mounting

It is characterised by a large ring illumination and an excellent tactile feel.

Functions

The Series 56 incorporates the following functions:

- Indicator
- Pushbutton
- Illuminated pushbutton
- Lever switch
- Sound module
- Flashing warning beacon

Market segments

The EAO Series 56 is especially suited for applications in the segments:

- Public transportation
- Building technology

Please refer to the EAO website to obtain detailed information regarding this series www.products.eao.com
Configure a product to your exact needs and request a quotation.



Overview	
Front mounting	
Single side indicator	4
Single side pushbutton	6
Lever switch	8
Multi-Tone Sound Module	9
Flashing Warning Beacon	10
Rear mounting	
Single side indicator	13
Single side pushbutton	15
Multi-Tone Sound Module	17
Glass mounting	
Single side pushbutton	19
Double side pushbutton	21
Multi-Tone Sound Module	23
Accessories	25
Drawings	36
Technical data	38
Application guidelines	48
Index	52

56 Front mounting

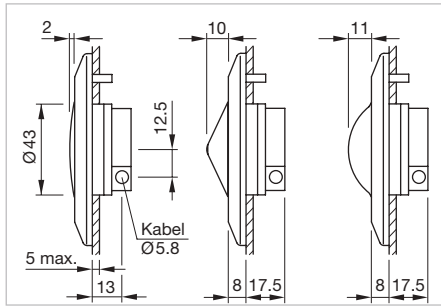
Single side indicator



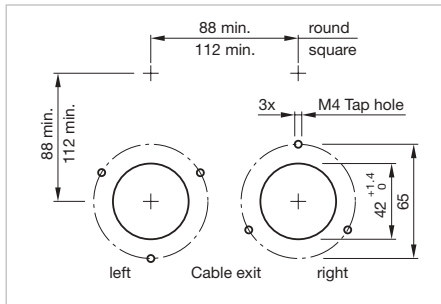
The preview is based on a sample product. This can differ from your current configuration.

Additional Information

- Please fill in the form and forward it to your local EAO partner by e-mail or fax. The electronic form is available at <http://www.eao.com/offer56>

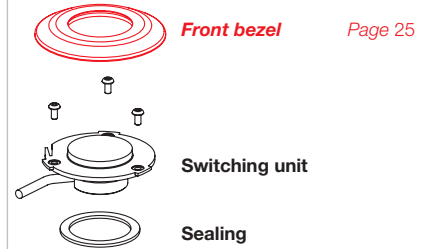


Dimensions [mm] [mm]



Mounting cut-outs [mm]

Equipment consisting of



Each part listed below includes all the black components shown in the 3D-drawing.

To obtain a complete unit, please select the red components from the pages shown.

Front cap

- Plastic colourless flush
 Plastic colourless raised
 Plastic colourless half round

Marking (Text or symbol)

- without marking
- with marking
 1 line
 2 line
 3 line
 symbol

	Example: 	Example: 	Example: 	<input type="checkbox"/>	<input type="checkbox"/>
				<input type="checkbox"/>	<input type="checkbox"/>
				<input type="checkbox"/>	<input type="checkbox"/>

Illumination

- LED green
 LED red
 LED yellow
 LED white
 LED blue

Supply voltage illumination

- 24 VDC
 110 VDC

Tolerance +25 % ... -30 %

Cable exit

 cable exit right

 cable exit left

Cable length

 A = 200mm

 A = 500mm

 A = 1000mm

 A = 1500mm

 _____ mm

Cable and Connector type

Cable	Connector
<input type="checkbox"/> 2x0.24mm ²	<input type="checkbox"/> core end-sleeves
	<input type="checkbox"/> AMP Connector Mate-N-Lok (Wiring diagram 2)
	<input type="checkbox"/> DEUTSCH connector (Wiring diagram 2)
	<input type="checkbox"/> AMP Connector 2.8x0.8 (Wiring diagram 1)
	<input type="checkbox"/> AMP Connector 6.3x0.8 (Wiring diagram 2)

Housing

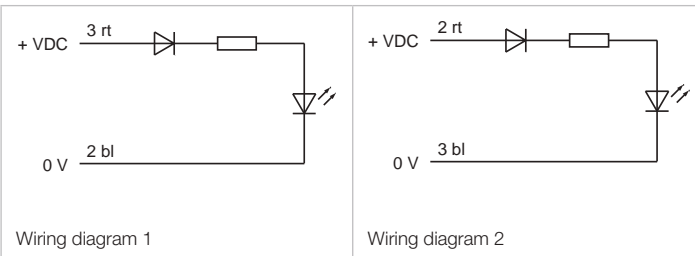
 housing D73 (standard)

 housing reworked 50x50mm

 housing reworked 68.5x50mm

The drawings you will find from page 36

The component layout No. 1 you will find from page 36



56 Front mounting

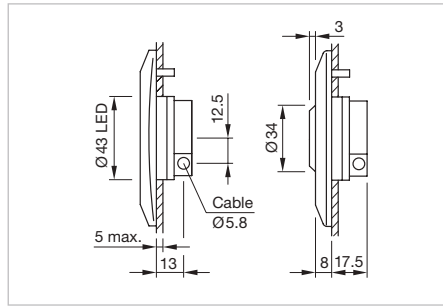
Single side pushbutton



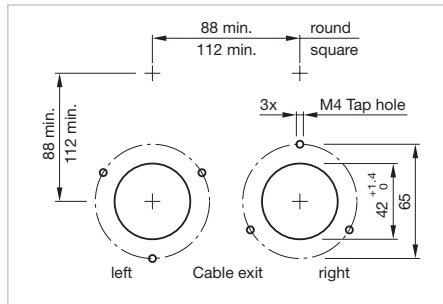
The preview is based on a sample product. This can differ from your current configuration.

Additional Information

- Please fill in the form and forward it to your local EAO partner by e-mail or fax. The electronic form is available at <http://www.eao.com/offer56>

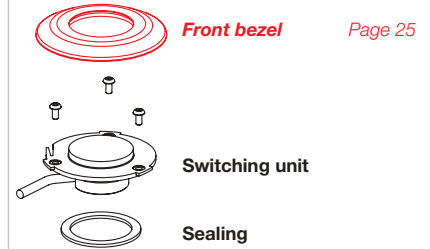


Dimensions [mm]



Mounting cut-outs [mm]

Equipment consisting of



Each part listed below includes all the black components shown in the 3D-drawing.

To obtain a complete unit, please select the red components from the pages shown.

Lens		
<input type="checkbox"/> flush, plastic	<input type="checkbox"/> flush, aluminium	<input type="checkbox"/> raised, aluminium
<input type="checkbox"/> green RAL 6024	<input type="checkbox"/> naturel	<input type="checkbox"/> naturel
<input type="checkbox"/> red RAL 3020	<input type="checkbox"/> green	<input type="checkbox"/> green
<input type="checkbox"/> blue RAL 5017	<input type="checkbox"/> red	<input type="checkbox"/> red
<input type="checkbox"/> yellow RAL 1023	<input type="checkbox"/> blue	<input type="checkbox"/> blue
<input type="checkbox"/> grey RAL 7040	<input type="checkbox"/> yellow	<input type="checkbox"/> yellow
<input type="checkbox"/> black RAL 9017	<input type="checkbox"/> black	<input type="checkbox"/> black
<input type="checkbox"/> orange RAL 2003		

Lens marking						
<input type="checkbox"/> without symbol						
<input type="checkbox"/> with symbol aluminium, raised (milled)						
	<input type="checkbox"/> Symbol-No. 00.835	<input type="checkbox"/> Symbol-No. 00.836	<input type="checkbox"/> Symbol-No. 00.868	<input type="checkbox"/> Symbol-No. 00.869	<input type="checkbox"/> Symbol-No. 40089	<input type="checkbox"/> Symbol-No. 60523
<input type="checkbox"/> with symbol aluminium, flat (engraved/lasered)						
<input type="checkbox"/> with symbol plastic, flat (engraved/lasered)	<input type="checkbox"/> Symbol-No. 00.835	<input type="checkbox"/> Symbol-No. 00.836	<input type="checkbox"/> Symbol-No. 00.868	<input type="checkbox"/> Symbol-No. 00.869	<input type="checkbox"/> Symbol-No. 40089	<input type="checkbox"/> Symbol-No. 60523
Symbol colour	<input type="checkbox"/> black			<input type="checkbox"/> white		

Illumination						
<input type="checkbox"/> without illumination						
<input type="checkbox"/> with illumination	<input type="checkbox"/> 8 green	<input type="checkbox"/> 8 red	<input type="checkbox"/> 8 blue	<input type="checkbox"/> 8 yellow	<input type="checkbox"/> 8 green/2 red	<input type="checkbox"/> 8 red/2 green

Supply voltage illumination				
<input type="checkbox"/> 24 VDC	<input type="checkbox"/> 36 VDC	<input type="checkbox"/> 48 VDC	<input type="checkbox"/> 72 VDC	<input type="checkbox"/> 110 VDC

Tolerance +25% ... -30%

Cable exit

 cable exit right

 cable exit left

Cable length

 A = 200mm

 A = 500mm

 A = 1000mm

 A = 1500mm

 _____ mm

Cable and Connector type

Cable

 2x0.5mm² (Wiring diagram 5)

 4x0.5mm² (Wiring diagram 1, 2, 3, 4)

Connector

 core end-sleeves

 AMP Connector Mate-N-Lok (Wiring diagram 3, 4)

 DEUTSCH connector (Wiring diagram 3, 4)

 AMP Connector 2.8x0.8 (Wiring diagram 1, 2)

 AMP Connector 6.3x0.8 (Wiring diagram 3, 4)

Housing

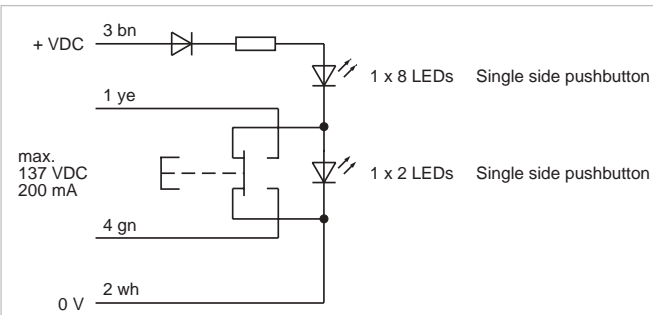
 housing D73 (standard)

 housing reworked 50x50mm

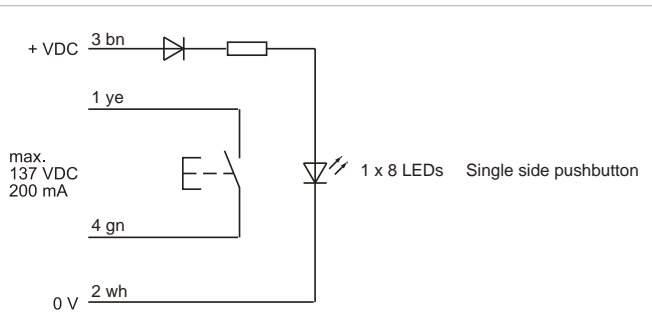
 housing reworked 68.5x50mm

The drawings you will find from page 36

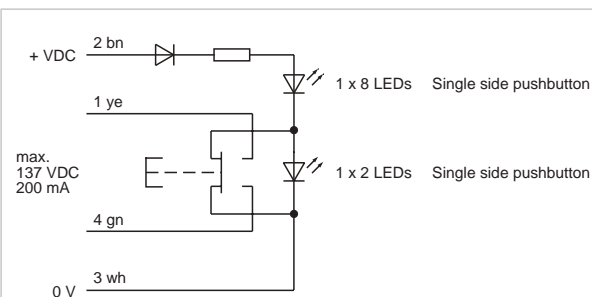
The component layouts No. 2 and 3 you will find from page 36



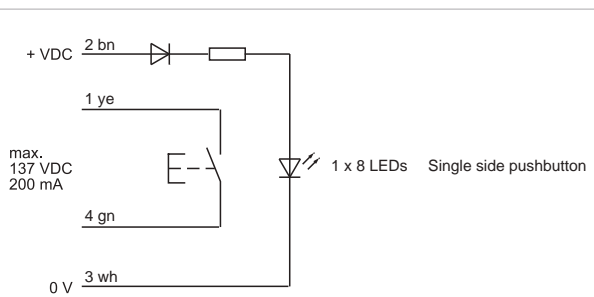
Wiring diagram 1



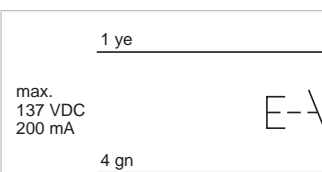
Wiring diagram 2



Wiring diagram 3



Wiring diagram 4



Wiring diagram 5

56 Front mounting

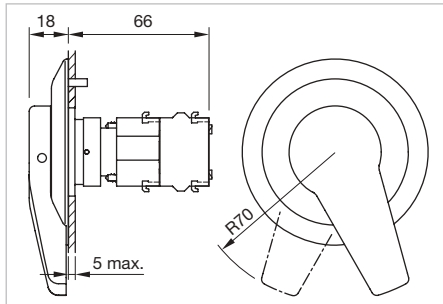
Lever switch



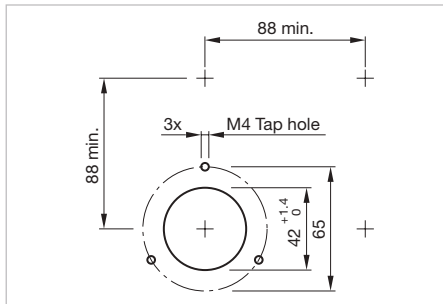
The preview is based on a sample product. This can differ from your current configuration.

Additional Information

- Lever aluminium naturel anodized
- Two switching positions
- Switching action: 0-maintain
- 45° switching angle
- Switching element see technical data Series O4

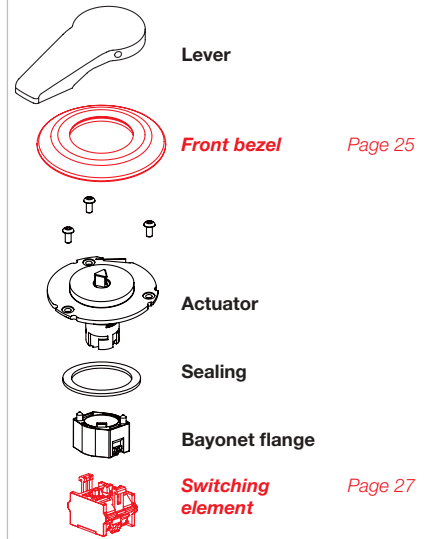


Dimensions [mm]



Mounting cut-outs [mm]

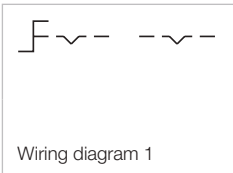
Equipment consisting of



Each part listed below includes all the black components shown in the 3D-drawing.

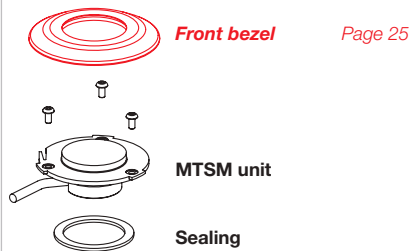
To obtain a complete unit, please select the red components from the pages shown.

Part No.	Weight
704.107.1	0.314 kg



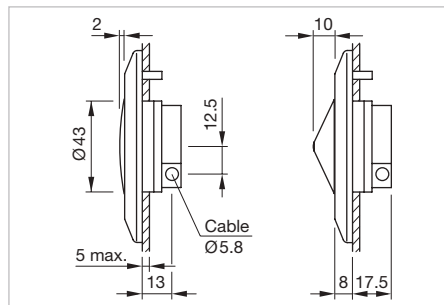
Multi-Tone Sound Module

Equipment consisting of



Each part listed below includes all the black components shown in the 3D-drawing.

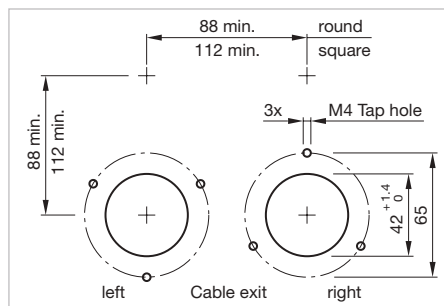
To obtain a complete unit, please select the red components from the pages shown.



Dimensions [mm]



The preview is based on a sample product. This can differ from your current configuration.



Mounting cut-outs [mm]

Additional Information

- The descriptions of the standard tone sequences see «Application guidelines»
- Please fill in the form and forward it to your local EAO partner by e-mail or fax. The electronic form is available at <http://www.eao.com/offer56>

Front cap

- Plastic black flush Plastic black raised

Front cap marking

- without symbol with symbol

Volume adjustment

- Manually (3-/5-Tone Sequences Module) Automatically (6-Tone Sequences Module)

Tone sequence

- 3-tone 5-tone 6-tone

Supply voltage

- 24 VDC (5-Tone Sequences Module) 16 ... 63 VDC (3-/6-Tone Sequences Module) 50 ... 143 VDC (3-/6-Tone Sequences Module)

Tolerance $\pm 30\%$

Cable exit

- cable exit right cable exit left

Cable length

- A = 200mm A = 500mm A = 1000mm A = 1500mm _____ mm

56 Front mounting

Cable and Connector type

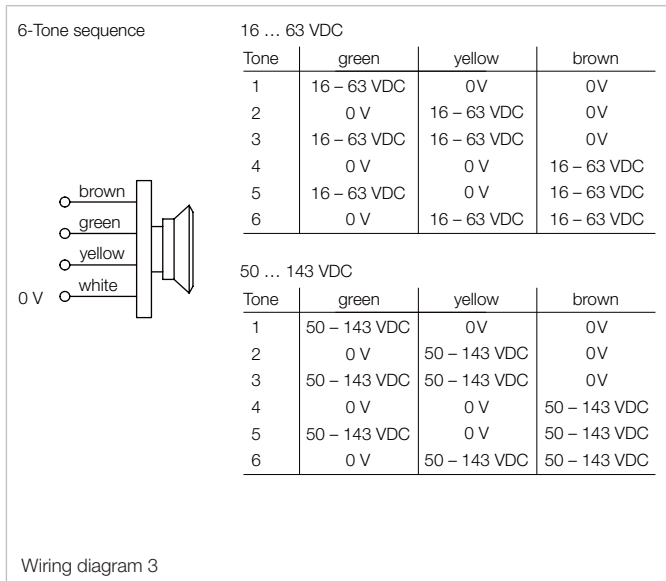
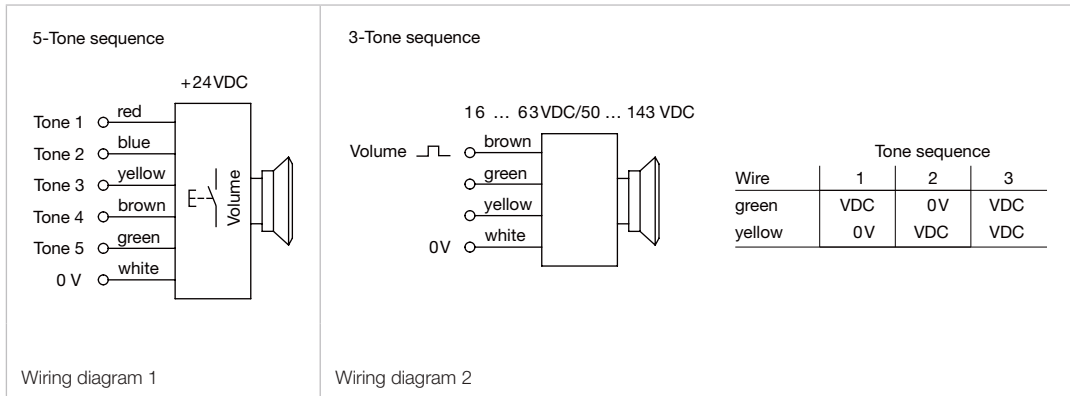
Cable	Connector
<input type="checkbox"/> 4x0.25mm ²	<input type="checkbox"/> core end-sleeves
<input type="checkbox"/> 4x0.5mm ²	<input type="checkbox"/> AMP Connector Mate-N-Lok
<input type="checkbox"/> 6x0.5mm ²	<input type="checkbox"/> DEUTSCH connector
	<input type="checkbox"/> AMP Connector 2.8x0.8
	<input type="checkbox"/> AMP Connector 6.3x0.8

Housing

<input type="checkbox"/> housing D73 (standard)	<input type="checkbox"/> housing reworked 50x50mm	<input type="checkbox"/> housing reworked 68.5x50mm
---	---	---

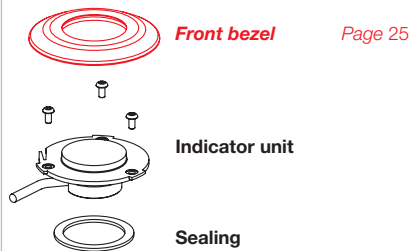
The drawings you will find from page 36

The component layouts No. 4 and 5 you will find from page 36



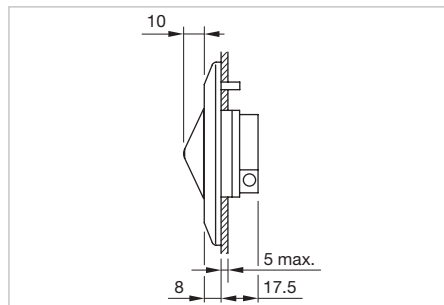
Flashing warning beacon

Equipment consisting of



Each part listed below includes all the black components shown in the 3D-drawing.

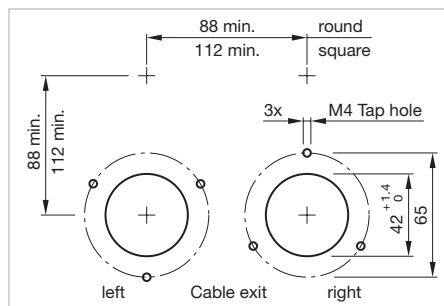
To obtain a complete unit, please select the red components from the pages shown.



Dimensions [mm]



The preview is based on a sample product. This can differ from your current configuration.



Mounting cut-outs [mm]

Additional Information

- Please fill in the form and forward it to your local EAO partner by e-mail or fax. The electronic form is available at <http://www.eao.com/offer56>

Front cap

Plastic colourless raised

Illumination

LED white

Supply voltage

24 VDC

Tolerance $\pm 30\%$

Cable exit

cable exit right

cable exit left

Cable length

A = 200mm

A = 500mm

A = 1000mm

A = 1500mm

_____ mm

Cable and Connector type

Cable

2x0.24mm²

Connector

core end-sleeves

AMP Connector Mate-N-Lok (Wiring diagram 2)

DEUTSCH connector (Wiring diagram 2)

AMP Connector 2.8x0.8 (Wiring diagram 1)

AMP Connector 6.3x0.8 (Wiring diagram 2)

Front mounting

Housing

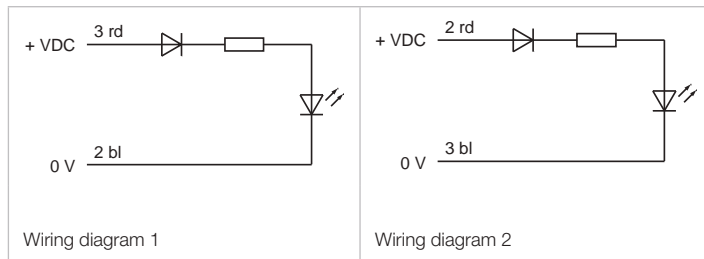
housing D73 (standard)

housing reworked 50x50mm

housing reworked 68.5x50mm

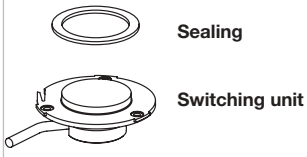
The drawings you will find from page 36

The component layout No. 1 you will find from page 36

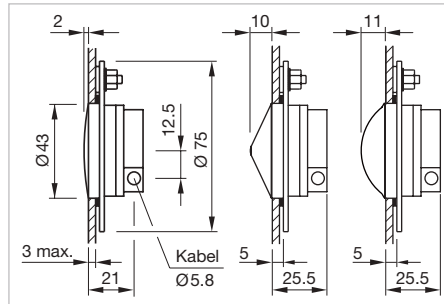


Single side indicator

Equipment consisting of



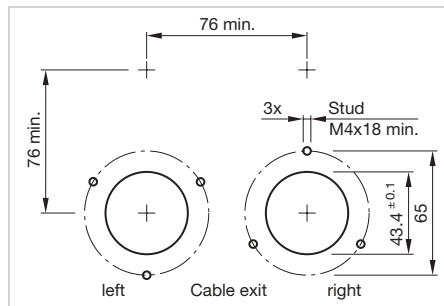
Each part number listed below includes all the black components shown in the 3D-drawing.



Dimensions [mm]



The preview is based on a sample product. This can differ from your current configuration.



Mounting cut-outs [mm]

Additional Information

- Please fill in the form and forward it to your local EAO partner by e-mail or fax. The electronic form is available at <http://www.eao.com/offer56>

Front cap

- Plastic colourless flush
 Plastic colourless raised
 Plastic colourless half round

Marking (Text or symbol)

- without marking
- with marking
 1 line
 2 line
 3 line
 symbol

	Example: 	Example: 	Example: 	<input type="checkbox"/>	<input type="checkbox"/>
				<input type="checkbox"/>	<input type="checkbox"/>
				<input type="checkbox"/>	<input type="checkbox"/>

Illumination

- LED green
 LED red
 LED yellow
 LED white
 LED blue

Supply voltage

- 24 VDC
 110 VDC

Tolerance +25% ... -30%

56 Rear mounting

Cable exit

cable exit right cable exit left

Cable length

A = 200 mm A = 500 mm A = 1000 mm A = 1500 mm _____ mm

Cable + Connector type

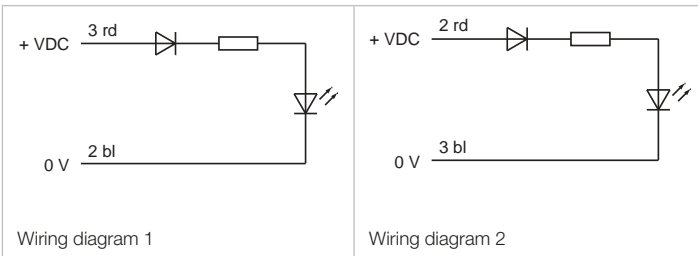
Cable	Connector
<input type="checkbox"/> 2*0.24 mm ²	<input type="checkbox"/> core end-sleeves
	<input type="checkbox"/> AMP Connector Mate-N-Lok (Wiring diagram 2)
	<input type="checkbox"/> DEUTSCH connector (Wiring diagram 2)
	<input type="checkbox"/> AMP Connector 2.8x0.8 (Wiring diagram 1)
	<input type="checkbox"/> AMP Connector 6.3x0.8 (Wiring diagram 2)

Housing

housing D73 (standard) housing reworked 50x50 mm housing reworked 68.5x50 mm

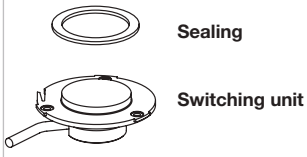
The drawings you will find from page 36

The component layout No. 1 you will find from page 36

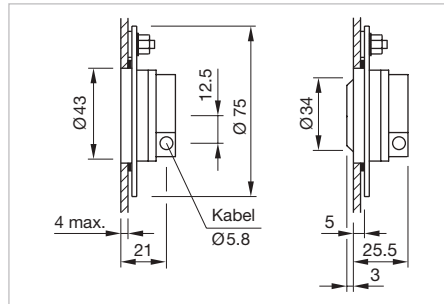


Single side pushbutton

Equipment consisting of



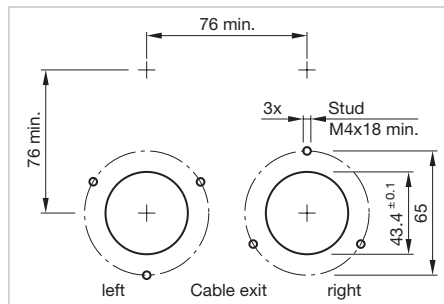
Each part listed below includes all the black components shown in the 3D-drawing.



Dimensions [mm]



The preview is based on a sample product. This can differ from your current configuration.



Mounting cut-outs [mm]

Additional Information

- Please fill in the form and forward it to your local EAO partner by e-mail or fax. The electronic form is available at <http://www.eao.com/offer56>

Lens

<input type="checkbox"/> flush, plastic	<input type="checkbox"/> flush, aluminium	<input type="checkbox"/> raised, aluminium
<input type="checkbox"/> green RAL 6024	<input type="checkbox"/> naturel	<input type="checkbox"/> naturel
<input type="checkbox"/> red RAL 3020	<input type="checkbox"/> green	<input type="checkbox"/> green
<input type="checkbox"/> blue RAL 5017	<input type="checkbox"/> red	<input type="checkbox"/> red
<input type="checkbox"/> yellow RAL 1023	<input type="checkbox"/> blue	<input type="checkbox"/> blue
<input type="checkbox"/> light-grey RAL 7040	<input type="checkbox"/> yellow	<input type="checkbox"/> yellow
<input type="checkbox"/> black RAL 9017	<input type="checkbox"/> black	<input type="checkbox"/> black
<input type="checkbox"/> orange RAL 2003		

Lens marking

<input type="checkbox"/> without symbol						
<input type="checkbox"/> with symbol aluminium, raised (milled)						
	<input type="checkbox"/> Symbol-No. 00.835	<input type="checkbox"/> Symbol-No. 00.836	<input type="checkbox"/> Symbol-No. 00.868	<input type="checkbox"/> Symbol-No. 00.869	<input type="checkbox"/> Symbol-No. 40089	<input type="checkbox"/> Symbol-No. 60523
<input type="checkbox"/> with symbol aluminium, flat (engraved/lasered)						
<input type="checkbox"/> with symbol plastic, flat (engraved/lasered)	<input type="checkbox"/> Symbol-No. 00.835	<input type="checkbox"/> Symbol-No. 00.836	<input type="checkbox"/> Symbol-No. 00.868	<input type="checkbox"/> Symbol-No. 00.869	<input type="checkbox"/> Symbol-No. 40089	<input type="checkbox"/> Symbol-No. 60523
Symbol colour	<input type="checkbox"/> black			<input type="checkbox"/> white		

Illumination

<input type="checkbox"/> without illumination						
<input type="checkbox"/> with illumination	<input type="checkbox"/> 8 green	<input type="checkbox"/> 8 red	<input type="checkbox"/> 8 blue	<input type="checkbox"/> 8 yellow	<input type="checkbox"/> 8 green/2 red	<input type="checkbox"/> 8 red/2 green

Supply voltage

<input type="checkbox"/> 24 VDC	<input type="checkbox"/> 36 VDC	<input type="checkbox"/> 48 VDC	<input type="checkbox"/> 72 VDC	<input type="checkbox"/> 110 VDC
---------------------------------	---------------------------------	---------------------------------	---------------------------------	----------------------------------

Tolerance +25% ... -30%

56 Rear mounting

Cable exit

- cable exit right cable exit left

Cable length

- A = 200 mm A = 500 mm A = 1000 mm A = 1500 mm _____ mm

Cable + Connector type

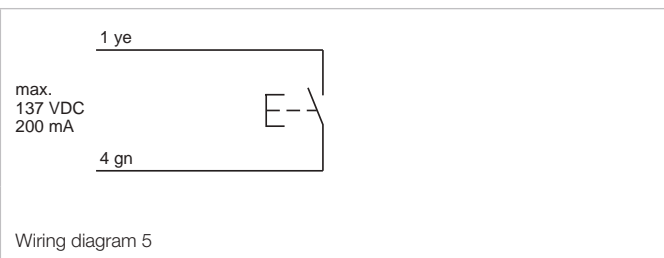
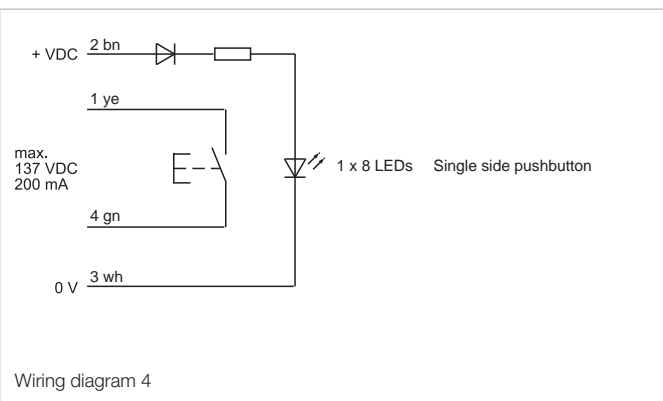
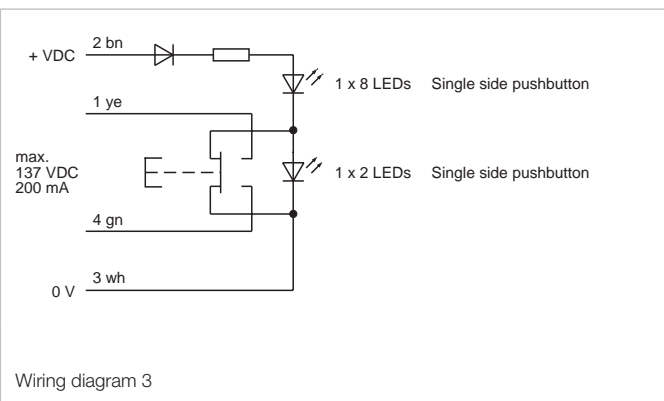
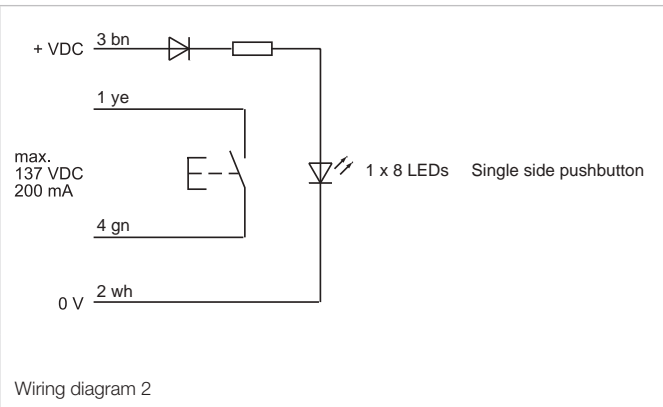
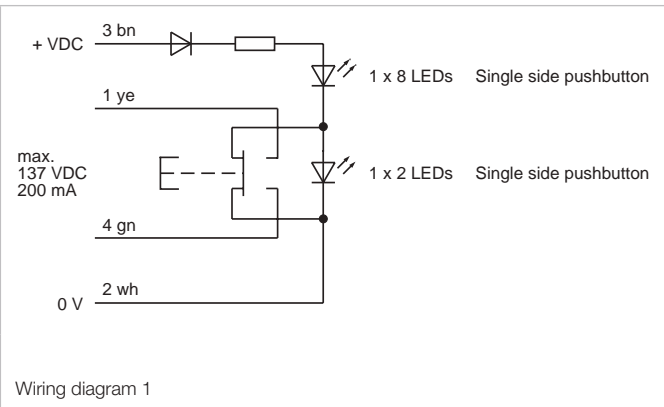
Cable	Connector
<input type="checkbox"/> 2x0.5mm ² (Wiring diagram 5)	<input type="checkbox"/> core end-sleeves
<input type="checkbox"/> 4x0.5mm ² (Wiring diagram 1, 2, 3, 4)	<input type="checkbox"/> AMP Connector Mate-N-Lok (Wiring diagram 3, 4)
	<input type="checkbox"/> DEUTSCH connector (Wiring diagram 3, 4)
	<input type="checkbox"/> AMP Connector 2.8x0.8 (Wiring diagram 1, 2)
	<input type="checkbox"/> AMP Connector 6.3x0.8 (Wiring diagram 3, 4)

Housing

- housing D73 (standard) housing reworked 50x50 mm housing reworked 68.5x50 mm

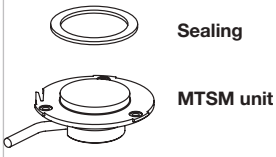
The drawings you will find from page 36

The component layout No. 2 you will find from page 36

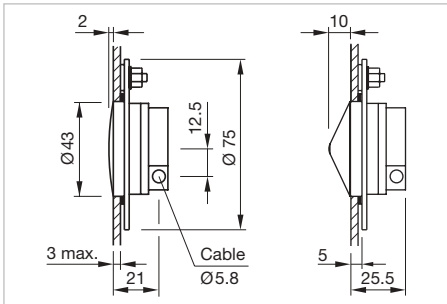


Multi-Tone Sound Module

Equipment consisting of



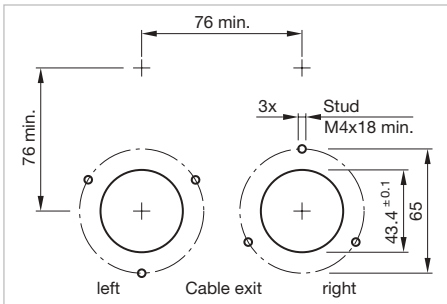
Each part listed below includes all the black components shown in the 3D-drawing.



Dimensions [mm]



The preview is based on a sample product. This can differ from your current configuration.



Mounting cut-outs [mm]

Additional Information

- Please fill in the form and forward it to your local EAO partner by e-mail or fax. The electronic form is available at <http://www.eao.com/offer56>

Front cap

- Plastic black flush Plastic black raised

Front cap marking

- without symbol with symbol

Volume adjustment

- Manually (3-/5-Tone Sequences Module) Automatically (6-Tone Sequences Module)

Tone sequence

- 3-tone 5-tone 6-tone

Supply voltage

- 24 VDC (5-Tone Sequences Module) 16 ... 63 VDC (3-/6-Tone Sequences Module) 50 ... 143 VDC (3-/6-Tone Sequences Module)

Tolerance ±30 %

Cable exit

- cable exit right cable exit left

Cable length

- A = 200mm A = 500mm A = 1000mm A = 1500mm _____ mm

56 Rear mounting

Cable + Connector type

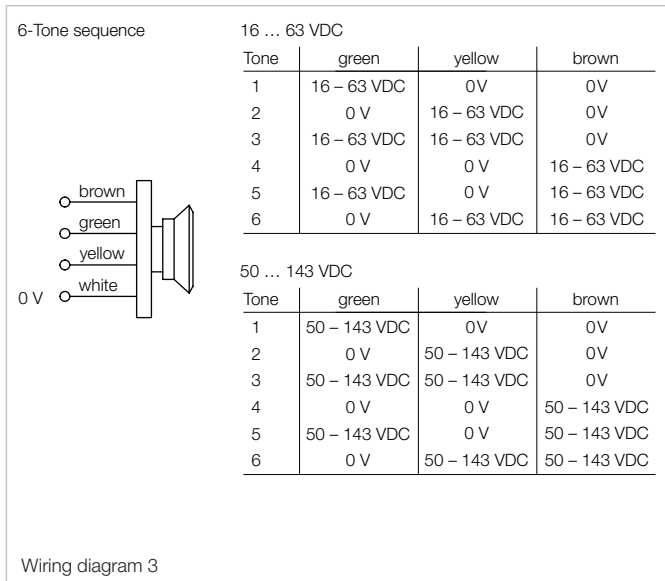
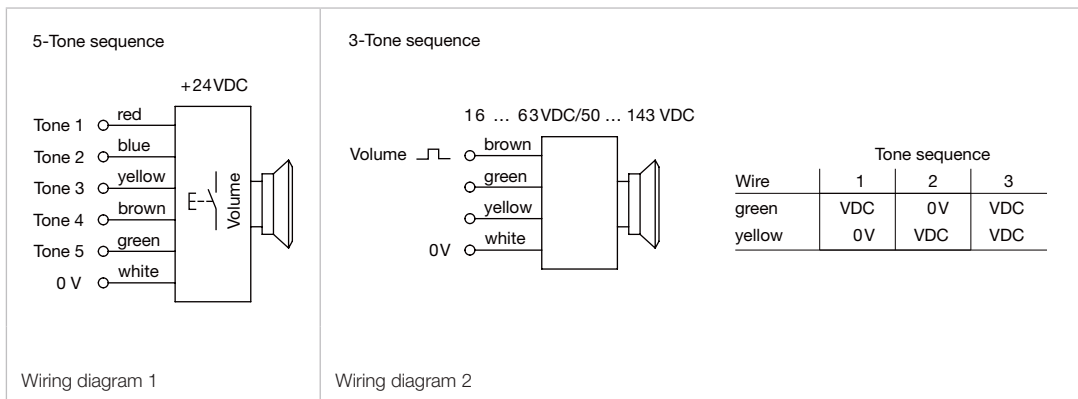
Cable	Connector
<input type="checkbox"/> 4x0.25mm ²	<input type="checkbox"/> core end-sleeves
<input type="checkbox"/> 4x0.5mm ²	<input type="checkbox"/> AMP Connector Mate-N-Lok
<input type="checkbox"/> 6x0.5mm ²	<input type="checkbox"/> DEUTSCH connector
	<input type="checkbox"/> AMP Connector 2.8x0.8
	<input type="checkbox"/> AMP Connector 6.3x0.8

Housing

<input type="checkbox"/> housing D73 (standard)	<input type="checkbox"/> housing reworked 50x50mm	<input type="checkbox"/> housing reworked 68.5x50mm
---	---	---

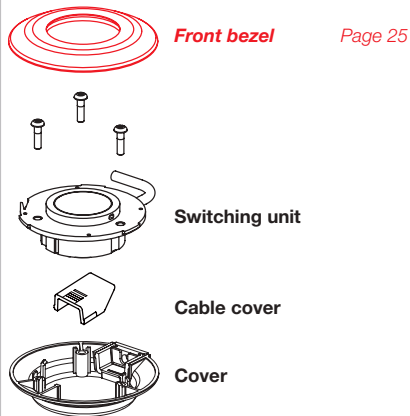
The drawings you will find from page 36

The component layouts No. 4, 5 and 6 you will find from page 36



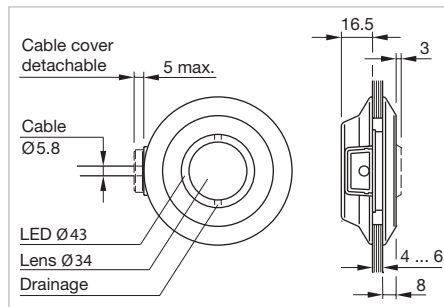
Single side pushbutton

Equipment consisting of

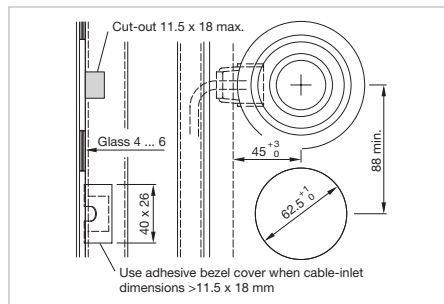


Each part listed below includes all the black components shown in the 3D-drawing.

To obtain a complete unit, please select the red components from the pages shown.



Dimensions [mm]



Mounting cut-outs [mm]



The preview is based on a sample product. This can differ from your current configuration.













Additional Information

- Front bezel Ø 87 mm
- Cable exit left
- Housing D73 (standard)
- Other cable cover are available
- Please fill in the form and forward it to your local EAO partner by e-mail or fax. The electronic form is available at <http://www.eao.com/offer56>

Lens

<input type="checkbox"/> flush, plastic	<input type="checkbox"/> flush, aluminium	<input type="checkbox"/> raised, aluminium
<input type="checkbox"/> green RAL 6024	<input type="checkbox"/> naturel	<input type="checkbox"/> naturel
<input type="checkbox"/> red RAL 3020	<input type="checkbox"/> green	<input type="checkbox"/> green
<input type="checkbox"/> blue RAL 5017	<input type="checkbox"/> red	<input type="checkbox"/> red
<input type="checkbox"/> yellow RAL 1023	<input type="checkbox"/> blue	<input type="checkbox"/> blue
<input type="checkbox"/> light-grey RAL 7040	<input type="checkbox"/> yellow	<input type="checkbox"/> yellow
<input type="checkbox"/> black RAL 9017	<input type="checkbox"/> black	<input type="checkbox"/> black
<input type="checkbox"/> orange RAL 2003		

Lens marking

<input type="checkbox"/> without symbol						
<input type="checkbox"/> with symbol aluminium, raised (milled)						
	<input type="checkbox"/> Symbol-No. 00.835	<input type="checkbox"/> Symbol-No. 00.836	<input type="checkbox"/> Symbol-No. 00.868	<input type="checkbox"/> Symbol-No. 00.869	<input type="checkbox"/> Symbol-No. 40089	<input type="checkbox"/> Symbol-No. 60523
<input type="checkbox"/> with symbol aluminium, flat (engraved/lasered)						
<input type="checkbox"/> with symbol plastic, flat (engraved/lasered)	<input type="checkbox"/> Symbol-No. 00.835	<input type="checkbox"/> Symbol-No. 00.836	<input type="checkbox"/> Symbol-No. 00.868	<input type="checkbox"/> Symbol-No. 00.869	<input type="checkbox"/> Symbol-No. 40089	<input type="checkbox"/> Symbol-No. 60523
Symbol colour	<input type="checkbox"/> black			<input type="checkbox"/> white		

Illumination

<input type="checkbox"/> without illumination						
<input type="checkbox"/> with illumination	<input type="checkbox"/> 8 green	<input type="checkbox"/> 8 red	<input type="checkbox"/> 8 blue	<input type="checkbox"/> 8 yellow	<input type="checkbox"/> 8 green/2 red	<input type="checkbox"/> 8 red/2 green

Supply voltage

<input type="checkbox"/> 24 VDC	<input type="checkbox"/> 36 VDC	<input type="checkbox"/> 48 VDC	<input type="checkbox"/> 72 VDC	<input type="checkbox"/> 110 VDC
---------------------------------	---------------------------------	---------------------------------	---------------------------------	----------------------------------

Tolerance +25% ... -30%

56 Glass mounting

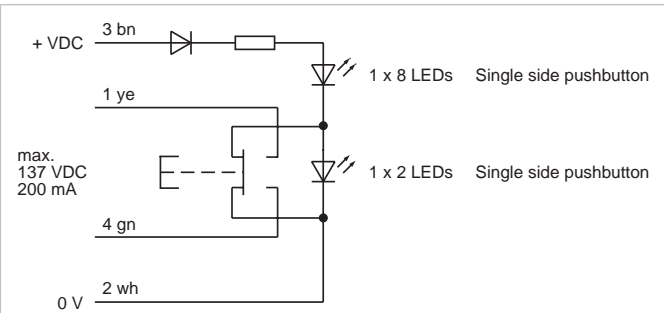
Cable length

- A = 200mm
 A = 500mm
 A = 1000mm
 A = 1500mm
 _____ mm

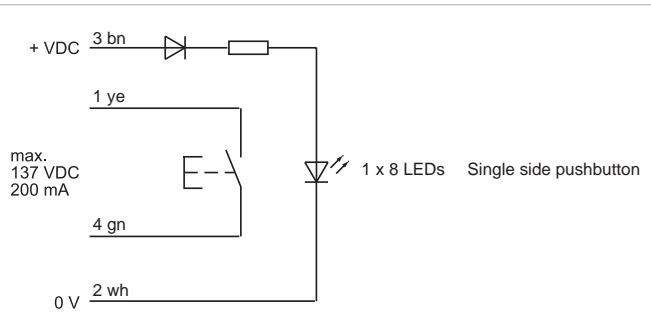
Cable + Connector type

Cable	Connector
<input type="checkbox"/> 2x0.5 mm ² (without illumination, wiring diagram 5)	<input type="checkbox"/> core end-sleeves
<input type="checkbox"/> 4x0.5 mm ² (Wiring diagram 1, 2, 3, 4)	<input type="checkbox"/> AMP Connector Mate-N-Lok (Wiring diagram 3, 4)
	<input type="checkbox"/> DEUTSCH connector (Wiring diagram 3, 4)
	<input type="checkbox"/> AMP Connector 2.8x0.8 (Wiring diagram 1, 2)
	<input type="checkbox"/> AMP Connector 6.3x0.8 (Wiring diagram 3, 4)

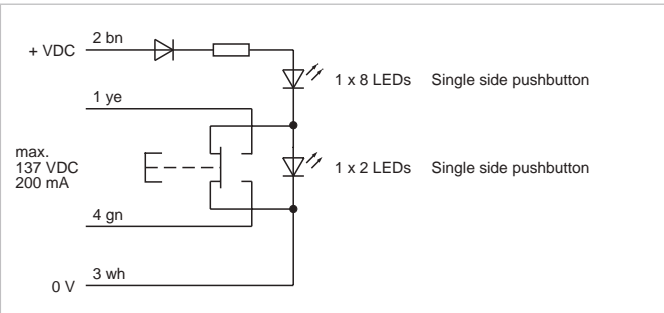
The component layouts No. 2 and 3 you will find from page 36



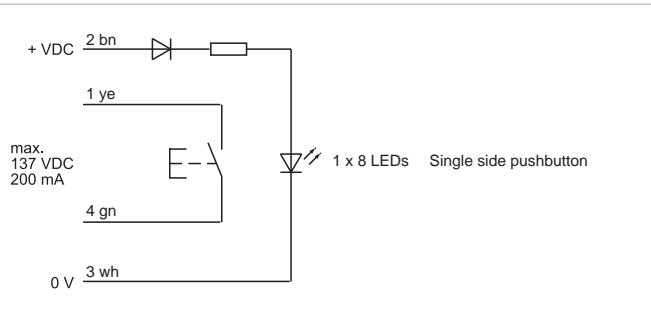
Wiring diagram 1



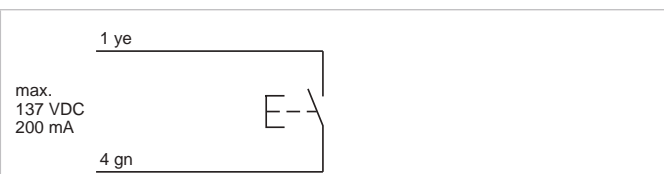
Wiring diagram 2



Wiring diagram 3



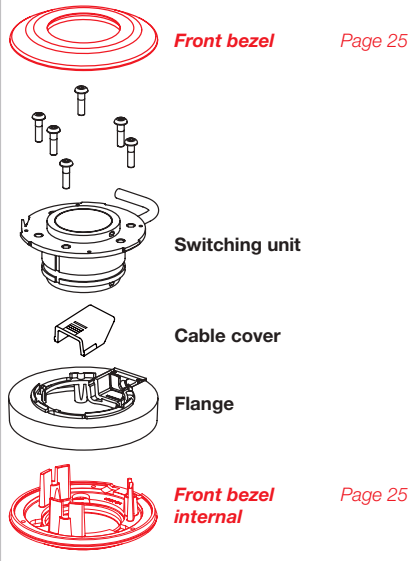
Wiring diagram 4



Wiring diagram 5

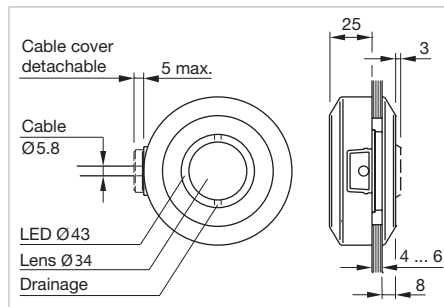
Double side pushbutton

Equipment consisting of

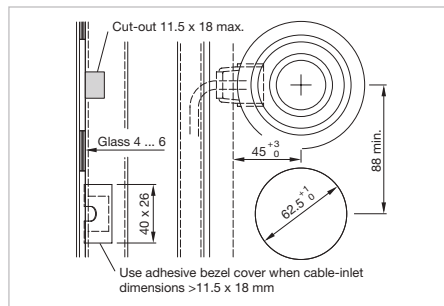


Each part listed below includes all the black components shown in the 3D-drawing.

To obtain a complete unit, please select the red components from the pages shown.



Dimensions [mm]



Mounting cut-outs [mm]



The preview is based on a sample product. This can differ from your current configuration.

Product features

- Front bezel Ø 87 mm
- Cable exit left
- Housing D73 (standard)
- Please fill in the form and forward it to your local EAO partner by e-mail or fax. The electronic form is available at <http://www.eao.com/offer56>

Lens

<input type="checkbox"/> flush, plastic	<input type="checkbox"/> flush, aluminium	<input type="checkbox"/> raised, aluminium
<input type="checkbox"/> green RAL 6024	<input type="checkbox"/> naturel	<input type="checkbox"/> naturel
<input type="checkbox"/> red RAL 3020	<input type="checkbox"/> green	<input type="checkbox"/> green
<input type="checkbox"/> blue RAL 5017	<input type="checkbox"/> red	<input type="checkbox"/> red
<input type="checkbox"/> yellow RAL 1023	<input type="checkbox"/> blue	<input type="checkbox"/> blue
<input type="checkbox"/> light-grey RAL 7040	<input type="checkbox"/> yellow	<input type="checkbox"/> yellow
<input type="checkbox"/> black RAL 9017	<input type="checkbox"/> black	<input type="checkbox"/> black
<input type="checkbox"/> orange RAL 2003		

Lens marking

<input type="checkbox"/> without symbol						
<input type="checkbox"/> with symbol aluminium, raised (milled)						
<input type="checkbox"/> with symbol aluminium, flat (engraved/lasered)						
<input type="checkbox"/> with symbol plastic, flat (engraved/lasered)						
Symbol colour	<input type="checkbox"/> black			<input type="checkbox"/> white		

56 Glass mounting

illumination

without illumination

with illumination

16 green

16 red

8 red/2 green

8 green/2 red

Supply voltage illumination

24 VDC

110 VDC

Tolerance +25% ... -30%

Cable length

A = 200mm

A = 500mm

A = 1000mm

A = 1500mm

_____mm

Cable + Connector type

Cable

2x0.5mm² (without illumination, wiring diagram 1, 2)

4x0.5mm² (Wiring diagram 1, 2, 3, 4)

Connector

core end-sleeves

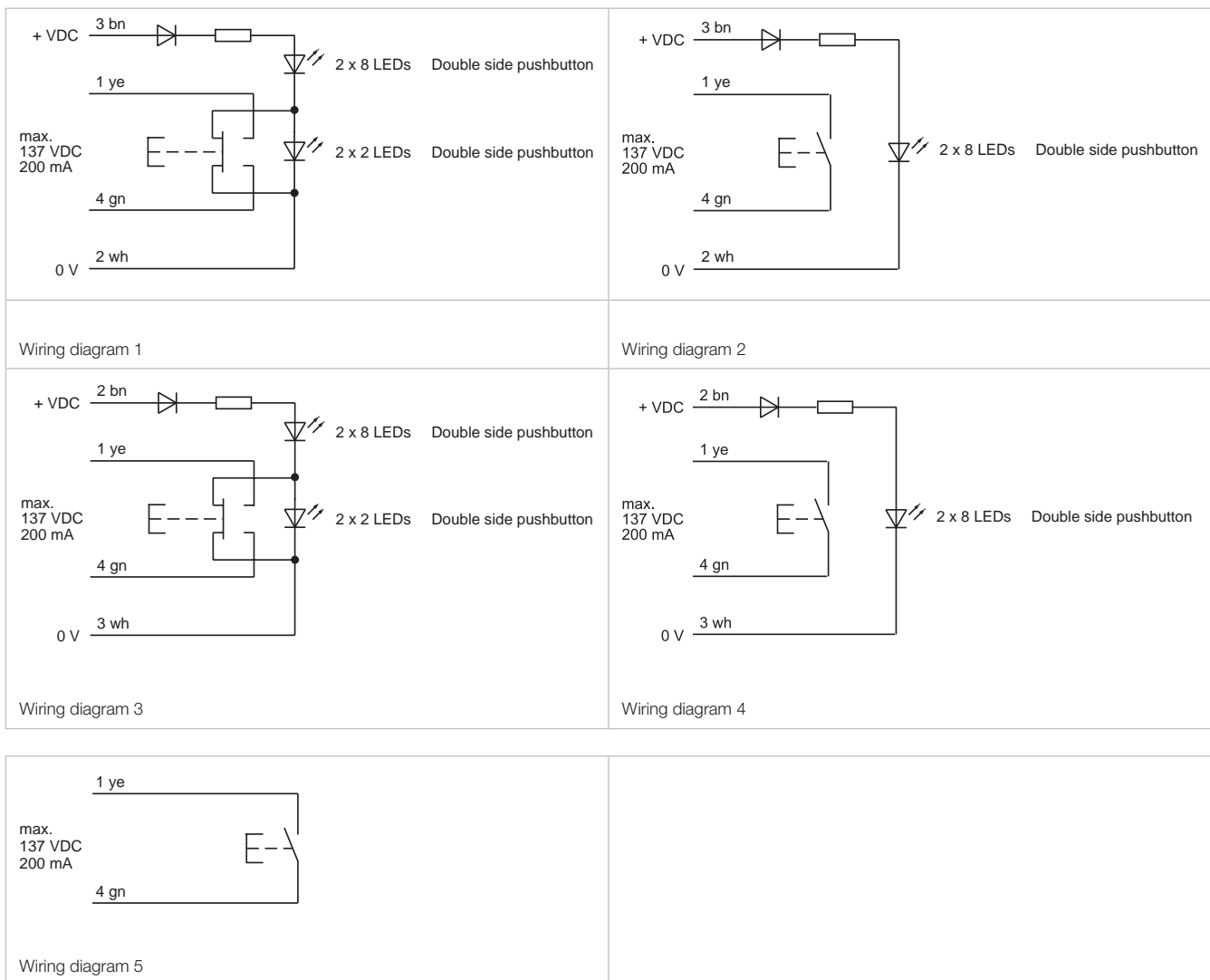
AMP Connector Mate-N-Lok (Wiring diagram 3, 4)

DEUTSCH connector (Wiring diagram 3, 4)

AMP Connector 2.8x0.8 (Wiring diagram 1, 2)

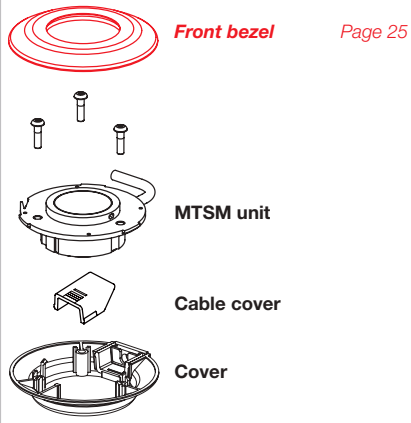
AMP Connector 6.3x0.8 (Wiring diagram 3, 4)

The component layouts No. 2 and 3 you will find from page 36



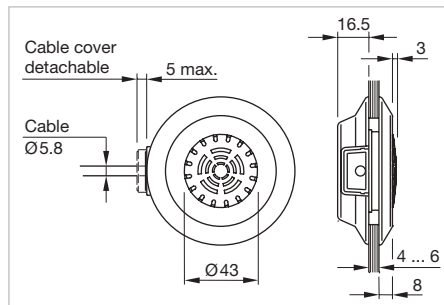
Multi-Tone Sound Module

Equipment consisting of

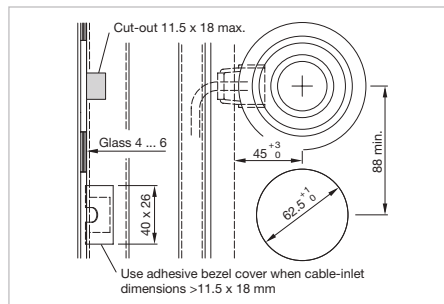


Each part listed below includes all the black components shown in the 3D-drawing.

To obtain a complete unit, please select the red components from the pages shown.



Dimensions [mm]



Mounting cut-outs [mm]



The preview is based on a sample product. This can differ from your current configuration.

Product features

- Front bezel Ø 87 mm
- Cable exit left
- Housing D73 (standard)
- Please fill in the form and forward it to your local EAO partner by e-mail or fax. The electronic form is available at <http://www.eao.com/offer56>

Front cap

- Plastic black flush Plastic black raised

Front cap marking

- without symbol with symbol

Volume adjustment

- Manually (3-/5-Tone Sequences Module) Automatically (6-Tone Sequences Module)

Tone sequence

- 3-tone 5-tone 6-tone

Supply voltage

- 24 VDC (5-Tone Sequences Module) 16...63 VDC (3-/6-Tone Sequences Module) 50...143 VDC (3-/6-Tone Sequences Module)

Tolerance ±30 %

Cable exit

- cable exit right cable exit left

Cable length

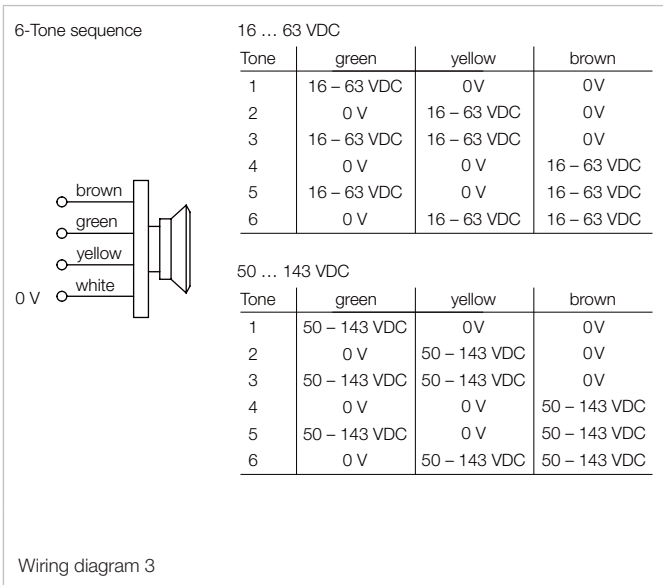
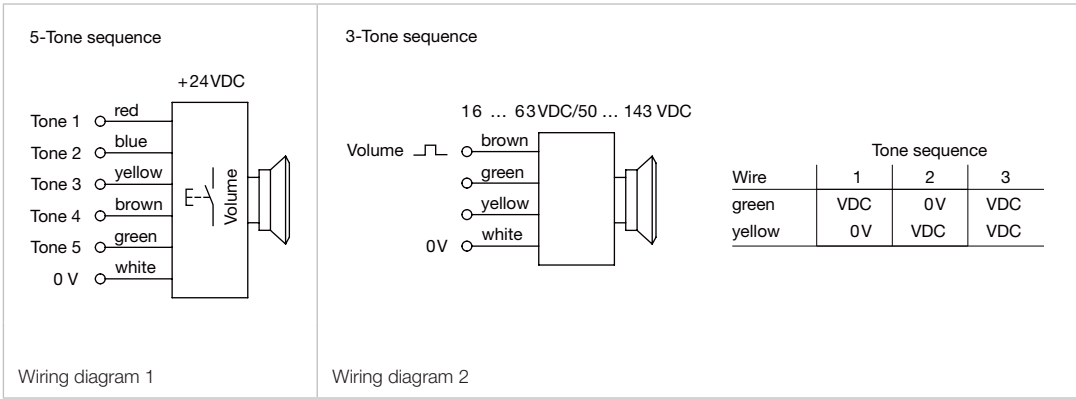
- A = 200mm A = 500mm A = 1000mm A = 1500mm _____ mm

Cable + Connector type

Cable	Connector
<input type="checkbox"/> 4*0.5mm ²	<input type="checkbox"/> core end-sleeves
	<input type="checkbox"/> AMP Connector Mate-N-Lok
	<input type="checkbox"/> DEUTSCH connector
	<input type="checkbox"/> AMP Connector 2.8x0.8
	<input type="checkbox"/> AMP Connector 6.3x0.8



The component layout No. 5 you will find from page 36

56 Glass mounting




Front
Front bezel
Additional Information

- Special colours for front bezel on request

Product attribute	Colour	Front bezel	Part No.	Weight
 Front bezel, front dimension 87 x 87 mm				
For single side indicator and single side pushbutton, front mounting	RAL 3020	Plastic red	56-2200	0.026 kg
	RAL 1023	Plastic yellow	56-2400	0.026 kg
	RAL 6024	Plastic green	56-2500	0.026 kg
	RAL 5017	Plastic blue	56-2600	0.026 kg
		Metal matt chrome	56-4600	0.085 kg
 Front bezel, front dimension Ø 87 mm				
For single side indicator and single side pushbutton; double side pushbutton external	RAL 9017	Pastic black	56-1000	0.018 kg
	RAL 3020	Plastic red	56-1200	0.018 kg
	RAL 2003	Plastic orange	56-1300	0.018 kg
	RAL 1023	Plastic yellow	56-1400	0.018 kg
	RAL 6024	Plastic green	56-1500	0.018 kg
	RAL 5017	Plastic blue	56-1600	0.018 kg
	RAL 7043	Plastic darkgrey	56-1800	0.018 kg
	RAL 7040	Plastic lightgrey	56-1800A	0.018 kg
	Metal matt chrome	56-3600	0.07 kg	

Front bezel internal
Additional Information

- For double side pushbutton

Dimension	Colour	Front bezel	Part No.	Weight
 Front bezel internal				
Ø 87 mm	RAL 3020	Plastic red	56-5200	0.09 kg
	RAL 2003	Plastic orange	56-5300	0.09 kg
	RAL 1023	Plastic yellow	56-5400	0.09 kg
	RAL 6024	Plastic green	56-5500	0.09 kg
	RAL 5017	Plastic blue	56-5600	0.09 kg
	RAL 7043	Plastic darkgrey	56-5800	0.09 kg
	RAL 7040	Plastic lightgrey	56-5800A	0.09 kg
		Metal matt chrome	56-7600	0.115 kg

Front bezel for blind and visually impaired persons round

Additional Information


- For single side pushbutton, double side pushbutton external
- Special colours for front bezel on request

Marking	Colour	Front bezel	Part No.	Weight
 <p>Front bezel for blind and visually impaired persons round, front dimension Ø 87 mm</p>				
Braille + Open	RAL 3020	Plastic red	56-1291	0.018 kg
	RAL 2003	Plastic orange	56-1391	0.018 kg
Braille + Close	RAL 2003	Plastic orange	56-1392	0.018 kg
Braille + Open	RAL 1023	Plastic yellow	56-1491	0.018 kg
Braille + Close	RAL 1023	Plastic yellow	56-1492	0.018 kg

Front bezel for blind and visually impaired persons triangular

Additional Information

- For single side pushbutton
- SOS character height 15 mm, black printed according TSI/PRM and braille SOS as per DIN 32976
- Special colours for front bezel on request

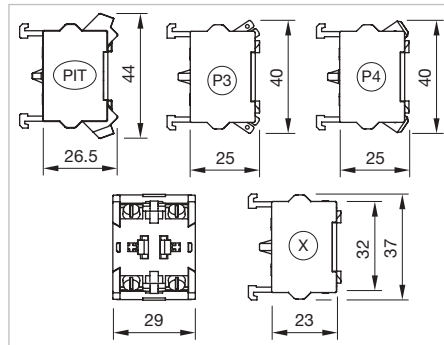
Marking	Colour	Front bezel	Part No.	Weight
 <p>Front bezel for blind and visually impaired persons triangular, front dimension 106 x 101 mm</p>				
Braille + SOS	RAL 1023	Plastic yellow	56-8000.A	0.029 kg
	RAL 1028	Plastic melon yellow	56-8000.1A	0.029 kg
	RAL 3020	Plastic red	56-8000.3A	0.029 kg
	RAL 6020	Plastic green	56-8000.5A	0.029 kg

Rear side


Switching element





Additional Information

- For the third switching element the terminal marking insert is to be ordered separately



Dimensions [mm]
 PIT = Push-in terminal,
 P3 = Plug-in terminal 6.3 x 0.8 mm,
 P4 = Double plug-in terminal 6.3 x 0.8 mm,
 X = Screw terminal

Switching voltage	Switching current	Switching system	Contacts	Contact material	Terminal	Part No.	Wiring diagram	Weight	
	250 VAC	6 A	Snap-action switching element	1 NO	Gold	Push-in Terminal	704.907.1	3	0.02 kg
				1 NC	Gold	Push-in Terminal	704.907.2	1	0.02 kg
				2 NO	Gold	Push-in Terminal	704.907.3	5	0.027 kg
				2 NC	Gold	Push-in Terminal	704.907.4	4	0.027 kg
				1 NC + 1 NO	Gold	Push-in Terminal	704.907.5	2	0.027 kg
				1 NO	Silver	Push-in Terminal	704.908.1	3	0.02 kg
				1 NC	Silver	Push-in Terminal	704.908.2	1	0.02 kg
				2 NO	Silver	Push-in Terminal	704.908.3	5	0.027 kg
				2 NC	Silver	Push-in Terminal	704.908.4	4	0.027 kg
				1 NC + 1 NO	Silver	Push-in Terminal	704.908.5	2	0.027 kg

Switching voltage	Switching current	Switching system	Contacts	Contact material	Terminal	Part No.	Wiring diagram	Weight
 <h3>Switching element</h3>								
250 VAC	6 A	Slow-make switching element	1 NO	Gold	Push-in Terminal	704.917.1	3	0.019 kg
			1 NC	Gold	Push-in Terminal	704.917.2	1	0.019 kg
			2 NO	Gold	Push-in Terminal	704.917.3	5	0.026 kg
			2 NC	Gold	Push-in Terminal	704.917.4	4	0.019 kg
			1 NC + 1 NO	Gold	Push-in Terminal	704.917.5	2	0.026 kg
			1 NO	Silver	Push-in Terminal	704.918.1	3	0.019 kg
			1 NC	Silver	Push-in Terminal	704.918.2	1	0.019 kg
			2 NO	Silver	Push-in Terminal	704.918.3	5	0.026 kg
			2 NC	Silver	Push-in Terminal	704.918.4	4	0.019 kg
			1 NC + 1 NO	Silver	Push-in Terminal	704.918.5	2	0.026 kg
 <h3>Switching element</h3>								
500 VAC	10 A	Snap-action switching element	1 NO	Silver	Plug 6.3 x 0.8 mm	704.905.1	3	0.021 kg
			1 NC	Silver	Plug 6.3 x 0.8 mm	704.905.2	1	0.021 kg
			2 NO	Silver	Plug 6.3 x 0.8 mm	704.905.3	5	0.028 kg
			2 NC	Silver	Plug 6.3 x 0.8 mm	704.905.4	4	0.028 kg
			1 NC + 1 NO	Silver	Plug 6.3 x 0.8 mm	704.905.5	2	0.028 kg
			 <h3>Switching element</h3>					
500 VAC	10 A	Slow-make switching element	1 NO	Silver	Plug 6.3 x 0.8 mm	704.915.1	3	0.021 kg
			1 NC	Silver	Plug 6.3 x 0.8 mm	704.915.2	1	0.021 kg
			2 NO	Silver	Plug 6.3 x 0.8 mm	704.915.3	5	0.028 kg
			2 NC	Silver	Plug 6.3 x 0.8 mm	704.915.4	4	0.028 kg
			1 NC + 1 NO	Silver	Plug 6.3 x 0.8 mm	704.915.5	2	0.028 kg
			 <h3>Switching element</h3>					
500 VAC	10 A	Snap-action switching element	1 NO	Gold	Double plug 6.3 x 0.8 mm	704.901.1/D	3	0.026 kg
			1 NC	Gold	Double plug 6.3 x 0.8 mm	704.901.2/D	1	0.026 kg
			2 NO	Gold	Double plug 6.3 x 0.8 mm	704.901.3/D	5	0.033 kg
			2 NC	Gold	Double plug 6.3 x 0.8 mm	704.901.4/D	4	0.033 kg

Switching voltage	Switching current	Switching system	Contacts	Contact material	Terminal	Part No.	Wiring diagram	Weight
500 VAC	10 A	Snap-action switching element	1 NC + 1 NO	Gold	Double plug 6.3 x 0.8 mm	704.901.5/D	2	0.033 kg
			1 NO	Silver	Double plug 6.3 x 0.8 mm	704.905.1/D	3	0.026 kg
			1 NC	Silver	Double plug 6.3 x 0.8 mm	704.905.2/D	1	0.026 kg
			2 NO	Silver	Double plug 6.3 x 0.8 mm	704.905.3/D	5	0.033 kg
			2 NC	Silver	Double plug 6.3 x 0.8 mm	704.905.4/D	4	0.033 kg
			1 NC + 1 NO	Silver	Double plug 6.3 x 0.8 mm	704.905.5/D	2	0.033 kg



Switching element


500 VAC	10 A	Slow-make switching element	1 NO	Silver	Double plug 6.3 x 0.8 mm	704.915.1/D	3	0.025 kg
			1 NC	Silver	Double plug 6.3 x 0.8 mm	704.915.2/D	1	0.025 kg
			2 NO	Silver	Double plug 6.3 x 0.8 mm	704.915.3/D	5	0.032 kg
			2 NC	Silver	Double plug 6.3 x 0.8 mm	704.915.4/D	4	0.032 kg
			1 NC + 1 NO	Silver	Double plug 6.3 x 0.8 mm	704.915.5/D	2	0.032 kg



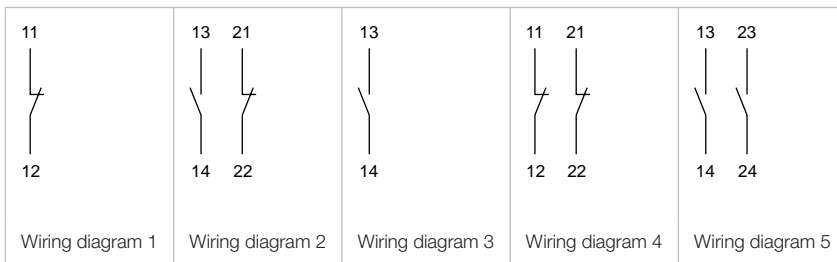
Switching element

500 VAC	10 A	Snap-action switching element	1 NO	Gold	Screw	704.901.1	3	0.021 kg
			1 NC	Gold	Screw	704.901.2	1	0.021 kg
			2 NO	Gold	Screw	704.901.3	5	0.028 kg
			2 NC	Gold	Screw	704.901.4	4	0.028 kg
			1 NC + 1 NO	Gold	Screw	704.901.5	2	0.028 kg
			1 NO	Silver	Screw	704.900.1	3	0.021 kg
			1 NC	Silver	Screw	704.900.2	1	0.021 kg
			2 NO	Silver	Screw	704.900.3	5	0.028 kg
			2 NC	Silver	Screw	704.900.4	4	0.028 kg
			1 NC + 1 NO	Silver	Screw	704.900.5	2	0.028 kg
			1 NO	Palladium	Screw	704.902.1	3	0.021 kg
			1 NC	Palladium	Screw	704.902.2	1	0.021 kg
			2 NO	Palladium	Screw	704.902.3	5	0.028 kg
			2 NC	Palladium	Screw	704.902.4	4	0.028 kg
			1 NC + 1 NO	Palladium	Screw	704.902.5	2	0.028 kg

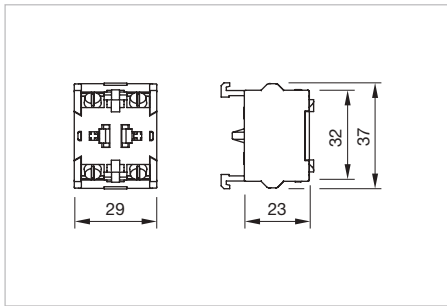
56 Accessories

Switching voltage	Switching current	Switching system	Contacts	Contact material	Terminal	Part No.	Wiring diagram	Weight
 Switching element								
500 VAC	10 A	Slow-make switching element	1 NO	Gold	Screw	704.911.1	3	0.021 kg
			1 NC	Gold	Screw	704.911.2	1	0.021 kg
			2 NO	Gold	Screw	704.911.3	5	0.028 kg
			2 NC	Gold	Screw	704.911.4	4	0.028 kg
			1 NC + 1 NO	Gold	Screw	704.911.5	2	0.028 kg
			1 NO	Silver	Screw	704.910.1	3	0.021 kg
			1 NC	Silver	Screw	704.910.2	1	0.021 kg
			2 NO	Silver	Screw	704.910.3	5	0.028 kg
			2 NC	Silver	Screw	704.910.4	4	0.028 kg
			1 NC + 1 NO	Silver	Screw	704.910.5	2	0.028 kg
			1 NO	Palladium	Screw	704.912.1	3	0.021 kg
			1 NC	Palladium	Screw	704.912.2	1	0.021 kg
			2 NO	Palladium	Screw	704.912.3	5	0.028 kg
			2 NC	Palladium	Screw	704.912.4	4	0.028 kg
			1 NC + 1 NO	Palladium	Screw	704.912.5	2	0.028 kg



Contacts: NC = Normally closed, NO = Normally open



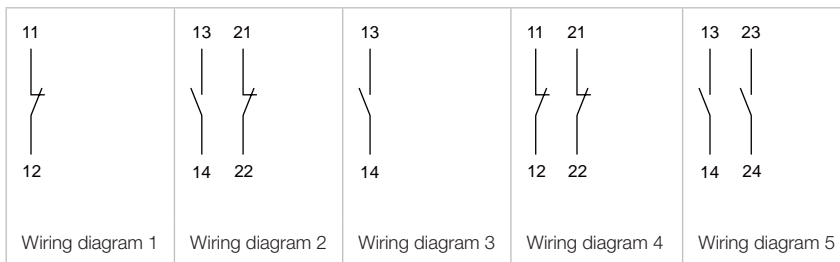
Switching element ring cable lug



Dimensions [mm]

Switching voltage	Switching current	Switching system	Contacts	Contact material	Terminal	Part No.	Wiring diagram	Weight
 <p>Switching element for ring cable shoe</p>								
500 VAC	10 A	Snap-action switching element	1 NO	Silver	Screw	704.900.1B	3	0.021 kg
			1 NC	Silver	Screw	704.900.2B	1	0.021 kg
			2 NO	Silver	Screw	704.900.3B	5	0.028 kg
			2 NC	Silver	Screw	704.900.4B	4	0.028 kg
			1 NC + 1 NO	Silver	Screw	704.900.5B	2	0.028 kg
 <p>Switching element for ring cable shoe</p>								
500 VAC	10 A	Slow-make switching element	1 NO	Gold	Screw	704.911.1B	3	0.021 kg
			1 NC	Gold	Screw	704.911.2B	1	0.021 kg
			2 NO	Gold	Screw	704.911.3B	5	0.028 kg
			2 NC	Gold	Screw	704.911.4B	4	0.028 kg
			1 NC + 1 NO	Gold	Screw	704.911.5B	2	0.028 kg
			1 NO	Silver	Screw	704.910.1B	3	0.021 kg
			1 NC	Silver	Screw	704.910.2B	1	0.021 kg
			2 NO	Silver	Screw	704.910.3B	5	0.028 kg
			2 NC	Silver	Screw	704.910.4B	4	0.028 kg
			1 NC + 1 NO	Silver	Screw	704.910.5B	2	0.028 kg

Contacts: NC = Normally closed, NO = Normally open

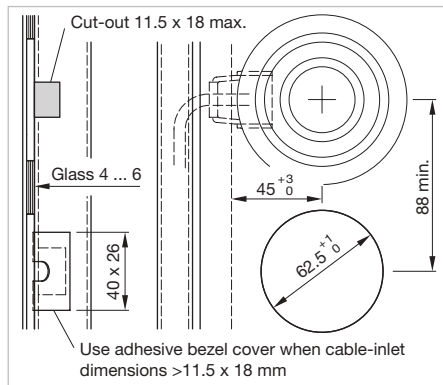


Mounting



Cable cover standard

Additional Information

- Additional cable covers are available on request



Mounting cut-outs [mm]

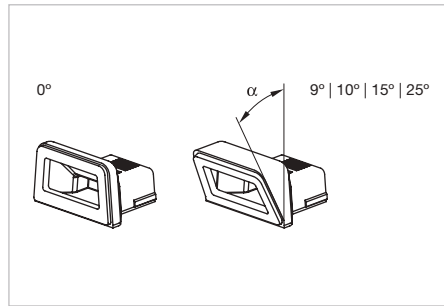
Product attribute	Cable cover	Part No.	Weight
	Cable cover standard		
included in standard delivery	standard 0°	56-992	0.003 kg
	Cable cover standard		
specify Part No. in purchase order	standard 45°	56-992A	0.005 kg

Cable cover funnel

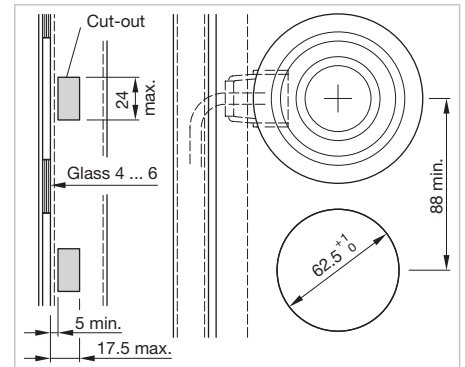
Additional Information

- Specify Part No. in purchase order


▲ **Caution:** Funnel shaped cable cover Part No. 56-992B, C, D, E, F are not replaceable after first mounting




Dimensions [mm]





Mounting cut-outs [mm]

Cable cover	Part No.	Weight
 <p>Cable cover funnel</p>		
funnel 0°	56-992B	0.01 kg
funnel 10°	56-992C	0.01 kg
funnel 15°	56-992D	0.01 kg
funnel 25°	56-992E	0.01 kg
Funnel 9°	56-992F	0.01 kg

Bezel cover

Product attribute	Dimension	Material	Colour	Mounting type	Part No.	Weight
 <p>Bezel cover</p>						
0.8 mm thick	40 x 26 mm	Aluminium	natural anodized	adhesive	56-993	0.005 kg

Mounting set for rear mounting

Product attribute	Art.-Nr.	Gewicht
 <p>Mounting set for rear mounting</p> <p>For front panel thickness 2 mm</p>	56-991	0.034 kg
 <p>Mounting set for rear mounting</p> <p>For front panel thickness 3 mm</p>	56-991D	0.035 kg

Dismantling tool

Additional Information


- For front bezel

Part No.	Weight
 <p>Dismantling tool</p>	
57-9901	0.012 kg

Anti-slip mat


Additional Information

- For dismantling of front bezel
- 3 mm dick

Dimension	Colour	Part No.	Weight
 <p>Anti-slip mat</p>			
100 x 100 mm	white	56-999	0.033 kg


Counterpart set for plug-in housing 2.8 x 0.8 mm**Additional Information**

- (set of 10 pieces)


Part No.	Weight
 <p>Counterpart set for plug-in housing 2.8 x 0.8 mm</p>	
56-994	0.012 kg

Counterpart set for plug-in housing 6.3 x 0.8 mm**Additional Information**

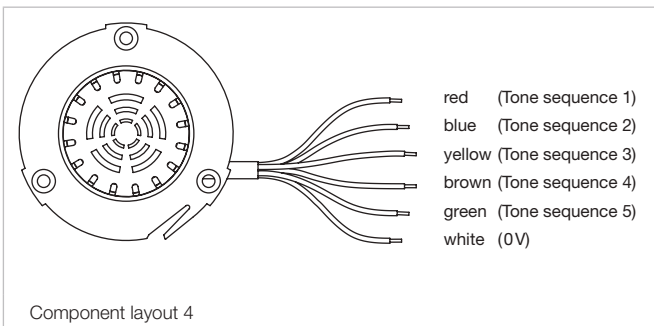
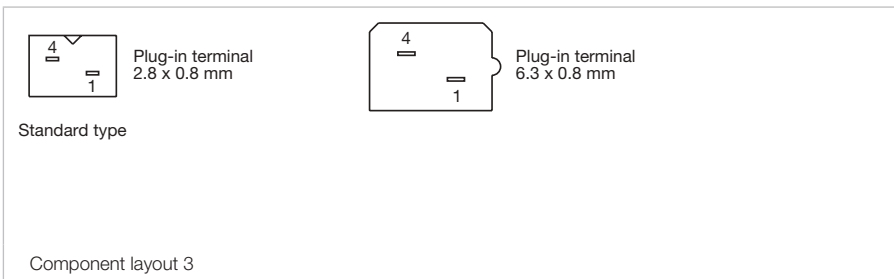
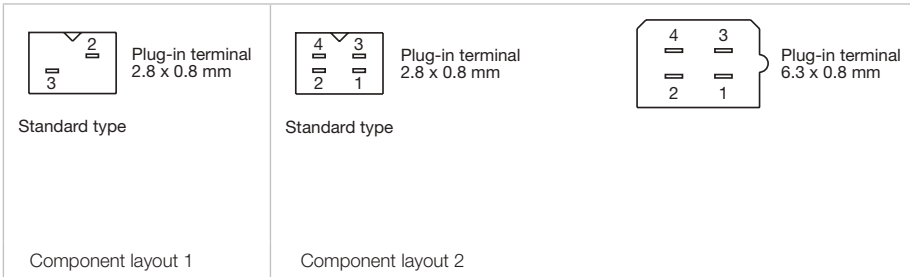
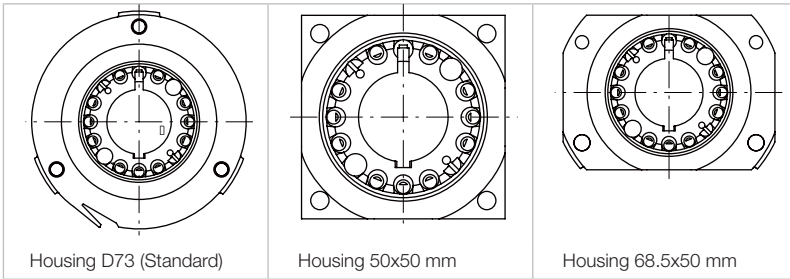
- (set of 10 pieces)

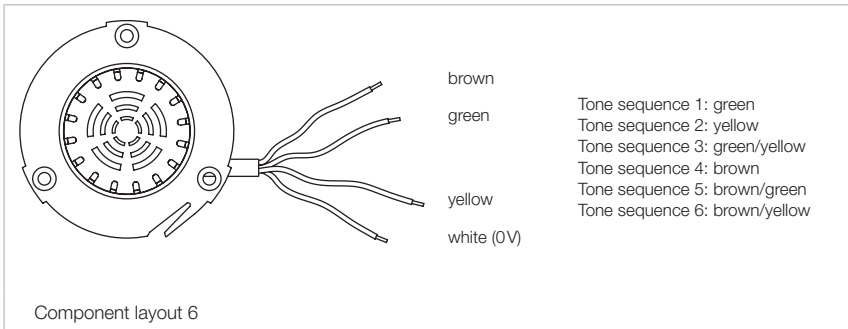
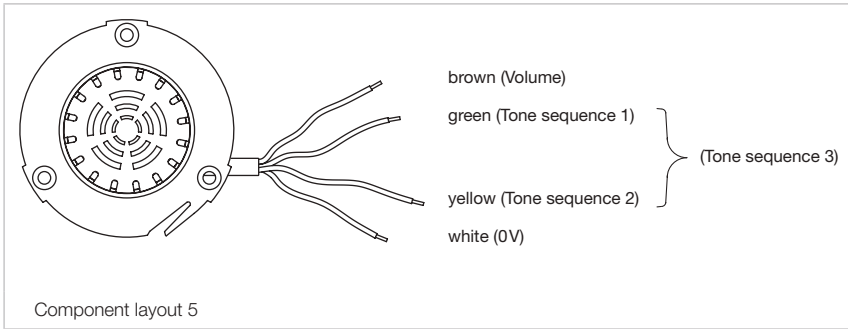
Part No.	Weight
 <p>Counterpart set for plug-in housing 6.3 x 0.8 mm</p>	
56-995	0.012 kg

Sealing

Part No.	Weight
 <p>Sealing black, glass mounting</p>	
56-990	0.004 kg

Drawings





Indicator

Material

Connection cable

Halogene free Polyolefine mixture

Lens

Polycarbonate (PC), as per UL94 V0

Front bezel

Zinc matt chromium plated or Polybutylenterephthalat (PBT), as per UL94 V0

Actuator

Polycarbonate (PC), as per UL94 V0

Mechanical characteristics

Terminals

Cable 2-poles with plug-in connection 2.8 x 0.8 mm
Flat plug-in housing rectangular, AMP No. 626 057-0

Counterpart to AMP Flat plug-in housing
(not part of delivery)

Receptacle housing AMP No. 626 056-0
Receptacle socket AMP No. 160 655-2

Wire cross-section

0.24 mm²

Wire length

200 mm with AMP connector 2.8 x 0.8 mm

Fixing screws

For front mounting M4 x 8 mm

Tightening torque

For screws for front mounting 80Ncm ... 100Ncm
Key (mounting and dismantling)
Hexagon socket wrench size 2.5 mm

Electrical characteristics

Illumination

15 LED green, red, yellow, white or blue

Supply voltage 24, 110VDC

Tolerance -30 % ... +25 %

Current consumption < 50 mA

Luminosity and wave length variations caused by LED manufacturing processes may cause slight differences regarding the illumination

Units compliant to

EN 61058-1, EN 50081-1, EN 50082-1, EN 50082-2,
EN 50121-3-2, EN 50155

Environmental conditions

Storage temperature

-45 °C ... +90 °C

Operating temperature

-40 °C ... +80 °C

Protection degree

Front side IP 67
Rear side IP 65

Climate resistance

Damp heat, cyclic

96 hours, +25 °C/97 %, +55 °C/93 % relative humidity,
as per EN IEC 60068-2-30

Damp heat, state

56 days, +40 °C/93 % relative humidity, as per EN IEC 60068-2-78

Rapid change of temperature

100 cycles, -40 °C ... +80 °C, as per EN IEC 60068-2-14

Shock resistance

(semi-sinusoidal)

max. 250 m/s², pulse width 11 ms, as per EN IEC 60068-2-27

Vibration resistance

(sinusoidal)

max. 100 m/s² at 10 Hz ... 2000 Hz, as per EN IEC 60068-2-6

Approvals

Approbations

CQC

NFF

Declaration of conformity

CE

Multi-Tone Sound Module
Material
Connection cable

Halogene free Polyolefine mixture
Housing switching unit and speaker cap
Polycarbonate (PC), as per UL94 V0

Front bezel

Zinc matt chromium plated or Polybutylenterephthalat (PBT),
as per UL94 V0

Housing

Tritan (Copolyeste)

Mechanical characteristics
Terminals

200mm with crimped metal sleeves
3-tone sequences module: 4 x 0.5 mm² or 4 x 0.25 mm²
5-tone sequences module: 6 x 0.5 mm²
6-tone sequences module: 6 x 0.5 mm²

Fixing screws

For front mounting M4 x 8 mm (3x)

Tightening torque

For screws for front mounting 80Ncm ... 100Ncm
Key (mounting and dismantling)
Hexagon socket wrench size 2.5 mm

Electrical characteristics
Units compliant to

EN 61000-6-2, EN 61000-6-3, EN 50121-3-2

Operating voltage/-current

Operation voltage 24 VDC $\pm 30\%$, 5-tone sequences module
Operation voltage range 16 ... 63 / 50 ... 143 VDC, 3-tone sequences module / 6-tone sequences module
Current rating < 50 mA depending on voltage and volume

Electric strength

4000 VAC, 50 Hz, 1 min, between all terminals and mounting plate/front element

Acoustic characteristics
5-tone sequences:

The volume of each tone sequence is configured in five steps by 6 dB, adjustable from the rear side. All sounds are controlled using a wire cable.
The tones can be played in any sequence at different volumes, durations and intervals.

3-tone sequences:

The volume of each tone sequence can be changed in 17 steps of 1.5 dB each, by means of the tone-editing programme or "external" by wire. Tone sequence 1 and 2 are being activated by wire, whereby sequence 3 is being activated binarily. All sounds are controlled using a wire cable. In order to symplify the definition of the Multi-Tone Sound Module, a "volume control box" is at EAO customer's disposal as an accessory.
The tones can be played in any sequence at different volumes, durations and intervals.

6-tone sequences:

The «MTSM self-adjusting» offers six individual tone sequences that can be emitted at different frequencies, number of repeats and durations. The volume can be pre-set so it is always a specified number of decibels above the ambient noise. The six tone sequences are controlled in a binary manner, via three wires.

Frequency range

500 Hz ... 3000 Hz $\pm 1\%$
480 Hz ... 3000 Hz $\pm 1\%$ (6-tone sequences module)

Time range of tone sequence

0 ... ∞ (endless)

Acoustic pressure level

3-/5-tone sequences module:
90 dB (A) 10 cm @ 1 kHz
Level 17 for 3-tone sequences module
Level 5 for 5-tone sequences module
6-tone sequences module:
Max. 100 db @ 10 cm @ 1 kHz

Environmental conditions
Storage temperature

-45 °C ... +90 °C

Operating temperature

-40 °C ... +85 °C

Protection degree

3-/6-tone sequences module:
Front side IP 69K oder IP 40
Rear side IP 65

5-tone sequences module:

Front side IP 69K
Rear side IP 65

Climate resistance

Damp heat, cyclic
48 hours, +25 °C/97 %, +55 °C/93 % relative humidity,
as per EN IEC 60068-2-30

Saline mist 96 hours, as per EN IEC 60068-2-11

Shock resistance

(semi-sinusoidal)
max. 50 m/s², pulse width 30 ms, as per EN 61373

Vibration resistance

Max. 7.9 m/s² at 10 Hz ... 150 Hz, as per EN 61373

Approvals

Approbations

CQC
E1
NFF

Declaration of conformity

CE
TSI/PRM

Pushbutton

Switching system

Self-cleaning, double-breaking snap-action switching system
1 Normally Open contact, momentary function

Material

Connection cable

Halogene free Polyolefine mixture

Lens

Aluminium anodized or Polybutylenterephthalat (PBT),
as per UL94 V0

Front bezel

Zinc matt chromium plated or Polybutylenterephthalat (PBT),
as per UL94 V0

Actuator

Polycarbonate (PC), as per UL94 V0

Material of contact

Gold plated silver

Mechanical characteristics

Terminals

Cable 4-poles with plug-in connection 2.8 x 0.8 mm
Flat plug-in housing rectangular, AMP No. 626 057-0

Counterpart to AMP Flat plug-in housing
(not part of delivery)

Receptacle housing AMP No. 626 056-0

Receptacle socket AMP No. 160 655-2

Other version :

Cable 4 poles with plug-in connection 6.3 x 0.8 mm
Flat plug-in housing rectangular, AMP No. 180 901-0

Counterpart to AMP Flat plug-in housing
(not part of delivery)

Receptacle housing AMP No. 180 900-0

Receptacle socket AMP No. 160 860-2

Wire cross-section

0.5 mm²

Wire length

200 mm with AMP connector 2.8 x 0.8 mm

Fixing screws

Single side pushbutton for front mounting M4 x 8 mm

Double side pushbutton for glass mounting M4 x 25 mm

Single side pushbutton for glass mounting M4 x 20 mm
(for glass ≥ 5 mm)

Single side pushbutton for glass mounting M4 x 16 (for 4 mm glass)

Tightening torque

Screws for single side pushbutton for front mounting
80 Ncm ... 100 Ncm

Screws for single side- and double side pushbutton for
glass mounting 50 Ncm

Key (mounting and dismantling)

Hexagon socket wrench size 2.5 mm

Actuating force

6 N ... 12 N

Actuating travel

~0.5 mm

Mechanical lifetime

2 million cycles operation

Electrical characteristics

Illumination

Ready status, 8 LED green, red or yellow

Optical switch on status, 2 LED green or red
(3 LED for special versions)

Supply voltage 24 VDC

Tolerance +25 % ... -30 %

Current consumption < 50 mA

Luminosity and wave length variations caused by LED manufacturing processes may cause slight differences regarding the illumination

Units compliant to

EN 61058-1, EN 61000-6-2, EN 61000-6-3, EN 50155

Switch rating

min. 5VDC, 5mA
max. 137VDC/VAC, max. 200mA

Electric strength

4000VAC, 50Hz, 1 min, between all terminals and mounting plate/front element

Environmental conditions

Storage temperature

-45 °C ... +90 °C

Operating temperature

-40 °C ... +80 °C

Protection degree

Front side IP 67
Back side IP 65

Climate resistance

Damp heat, cyclic
96 hours, +25 °C/97 %, +55 °C/93 % relative humidity,
as per EN IEC 60068-2-30

Damp heat, state
56 days, +40 °C/93 % relative humidity, as per EN IEC 60068-2-78

Rapid change of temperature
100 cycles, -40 °C ... +80 °C, as per EN IEC 60068-2-14

Shock resistance

(semi-sinusoidal)
max. 250 m/s², pulse width 11 ms, as per EN IEC 60068-2-27

Vibration resistance

(sinusoidal)
max. 100 m/s² at 10Hz...500Hz, as per EN IEC 60068-2-6

Approvals

Approbations

CQC
NFF

Declaration of conformity

CE
TSI/PRM

Flashing warning beacon

Material

Connection cable

Halogene free Polyolefine mixture

Lens

Polycarbonate (PC), as per UL94 V0

Front bezel

Zinc matt chromium plated or Polybutylenterephthalat (PBT),
as per UL94 V0

Actuator

Polycarbonate (PC), as per UL94 V0

Wire cross-section

0.24 mm²

Wire length

200 mm with AMP connector 2.8 x 0.8mm

Fixing screws

For front mounting M4 x 8 mm

Tightening torque

For screws for front mounting 80Ncm... 100Ncm
Key (mounting and dismantling)
Hexagon socket wrench size 2.5 mm

Mechanical characteristics

Terminals

Cable 2-poles with plug-in connection 2.8 x 0.8 mm
Flat plug-in housing rectangular, AMP No. 626 057-0

Counterpart to AMP Flat plug-in housing
(not part of delivery)
Receptacle housing AMP No. 626 056-0
Receptacle socket AMP No. 160 655-2

Electrical characteristics

Illumination

3 LED white
Supply voltage 24 VDC $\pm 30\%$
Current consumption < 500 mA
Blitzfrequenz 1 Hz
Impulsdauer 50 ms
Pausendauer 950 ms
Einschaltdauer 5 %
Luminosity and wave length variations caused by LED manufacturing processes may cause slight differences regarding the illumination

Units compliant to

EN 61000-6-2, EN 61000-6-3, EN 50121-3-2

Environmental conditions

Storage temperature

-45 °C ... +90 °C

Operating temperature

-40 °C ... +80 °C

Protection degree

Front side IP 67
Rear side IP 65

Climate resistance

Damp heat, cyclic
96 hours, +25 °C/97 %, +55 °C/93 % relative humidity,
as per EN IEC 60068-2-30

Damp heat, state
56 days, +40 °C/93 % relative humidity, as per EN IEC 60068-2-78

Rapid change of temperature
100 cycles, -40 °C ... +80 °C, as per EN IEC 60068-2-14

Shock resistance

(semi-sinusoidal)
max. 250 m/s², pulse width 11 ms, as per EN IEC 60068-2-27

Vibration resistance

(sinusoidal)
max. 100 m/s² at 10 Hz ... 2000 Hz, as per EN IEC 60068-2-6

Approvals

Approbations

CQC
NFF

Declaration of conformity

CE

EAO reserves the right to alter specifications without further notice.

Slow-make switching element
Switching system

The double-break, slow-make switching element is equipped with one or two independent contact systems, acting as normally open or normally closed contact. The normally closed contact has forced opening.

Slow-make contacts with forced action are ideal for high switch ratings.

Up to three switching elements can be snapped to each actuator. For the emergency-stop pushbutton use the slow-make switching element (max. 3).

Material
Material of contact

Hardsilver, gold-silver, silver-palladium (for aggressive atmospheres)

Switch housing

Polycarbonate (PC)

Mechanical characteristics
Terminals

Screw terminals

Plug-in terminals 6.3 x 0.8 mm

max. wire cross-section 2 x 2.5 mm²

max. wire cross-section of stranded cable 2 x 1.5 mm²

For switches with plug-in terminals it is necessary to provide insulation sleeves and to maintain a spacing of 65 mm between rows (mounting cut-outs)

Tightening torque

Screws at the mounting flange max. 25–30 Ncm

Screws at switching element max. 50 Ncm

Actuating force

1 Normally closed 2 N

1 Normally open 3.1 N

Actuating travel

5.8 mm ± 0.2 mm

Rebound time

≤ 1 ms

Mechanical lifetime

(with 1 switching element)

Pushbutton maintained action 1.5 million Cycles of operation

Pushbutton momentary action 3 million Cycles of operation

Selector switch maintained action 1.25 million Cycles of operation

Selector switch momentary action 2.5 million Cycles of operation

Emergency-stop switch 50 000 Cycles of operation

Keylock switch maintained action 25 000 Cycles of operation

Keylock switch momentary action 50 000 Cycles of operation

Electrical characteristics
Standards

The switches comply with the “Standards for low-voltage switching devices” EN IEC 60947-5-1

Rated Insulation Voltage U_i

500 VAC/600 VDC, as per EN IEC 60947-5-1

Contact resistance

New state ≤ 50 mΩ as per DIN IEC 60512-2-4

Isolation resistance

≥ 10 MΩ between open contacts at 500 VDC, as per DIN IEC 60512-3-1

Electrical life

6050 cycles of operations

Conventional free air thermal current I_{th}

As per EN IEC 60947-5-1

6 A for plug-in terminals

10 A for screw terminals

the maximum current in continuous operation and at ambient temperature must not exceed the quoted maximum values.

Switch rating

At switch rating AC for gold-silver, silver-palladium and hardsilver contacts, service category AC-15, as per EN IEC 60947-5-1 (cos φ 0.3)

Voltage	230 VAC	400 VAC	500 VAC
Current	7 A	5 A	4 A

At switch rating DC for gold-silver and hardsilver contacts, service category DC-13, as per EN IEC 60947-5-1

Voltage	24 VDC	60 VDC	110 VDC	250 VDC
Current	10 A	5 A	2.5 A	0.6 A

Recommended minimum operational data

Gold-silver contacts:

Voltage	24 VDC	110 VDC
Current	5 mA	2 mA

Hardsilver contacts:

Voltage	24 VDC	110 VDC
Current	50 mA	10 mA

Protection class

Indicators and switches, fit for mounting into devices with protection class II

Environmental conditions

Storage temperature

-40 °C ... +85 °C

Operating temperature

-40 °C ... +55 °C

(other temperatures on request)

Protection degree

IP 00

Shock resistance

(single impacts, semi-sinusoidal)

300 m/s² puls width 11 ms, as per EN IEC 60068-2-27

Vibration resistance

(sinusoidal)

100 m/s² at 10 Hz ... 500 Hz, amplitude 0.75 mm, as per

EN IEC 60068-2-6

Approvals

Approbations

CB (IEC 60947)

CCC

CSA

Germanischer Lloyd

GOST

NFF 16-102

UL

Declaration of conformity

CE

Snap-action switching element

Switching system

The double-break, snap-action switching element is equipped with one or two independent contact systems, acting as normally open or normally closed contact. The snap-action switching element is fitted with self-cleaning contacts.

Up to three switching elements can be snapped to each actuator. Snap-action switching elements are not permissible for emergency-stop pushbuttons!

Material

Material of contact

Hardsilver, gold-silver, silver-palladium (for aggressive atmospheres)

Switch housing

Polycarbonate (PC)

Mechanical characteristics

Terminals

Screw terminals

Plug-in terminals 6.3 x 0.8 mm

max. wire cross-section 2 x 2.5 mm²

max. wire cross-section of stranded cable 2 x 1.5 mm²

For switches with plug-in terminals it is necessary to provide insulation sleeves and to maintain a spacing of 65 mm between rows (mounting cut-outs)

Tightening torque

Screws at the mounting flange max. 25–30 Ncm

Screws at switching element max. 50 Ncm

Actuating force

1 Normally closed 1.9 N

1 Normally open 2 N

Actuating travel

5.8 mm ± 0.2 mm

Rebound time

≤ 3 ms

Mechanical lifetime

(with 1 switching element)

Pushbutton maintained action 1.5 million Cycles of operation

Pushbutton momentary action 3 million Cycles of operation

Selector switch maintained action 1.25 million Cycles of operation

Selector switch momentary action 2.5 million Cycles of operation

Keylock switch maintained action 25 000 Cycles of operation

Keylock switch momentary action 50 000 Cycles of operation

Electrical characteristics

Standards

The switches comply with the "Standards for low-voltage switching devices" EN IEC 60947-5-1

Rated Insulation Voltage U_i

500 VAC/600 VDC, as per EN IEC 60947-5-1

Contact resistance

New state ≤ 50 mΩ as per DIN IEC 60512-2-4

Isolation resistance

≥ 10 MΩ between open contacts at 500 VDC, as per

DIN IEC 60512-3-1

Electrical life

50 000 cycles of operations

Conventional free air thermal current I_{th}

As per EN IEC 60947-5-1

6A for plug-in terminals

10A for screw terminals

the maximum current in continuous operation and at ambient temperature must not exceed the quoted maximum values.

Switch rating

At switch rating AC for gold-silver, silver-palladium and hardsilver contacts, service category AC-15, as per EN IEC 60947-5-1 ($\cos\phi$ 0.3)

Voltage	230VAC	400VAC	500VAC
Current	6A	4A	2.5A

At switch rating DC for gold-silver and hardsilver contacts, service category DC-13, as per EN IEC 60947-5-1

Voltage	24VDC	60VDC	110VDC
Current	10A	3A	1A

Recommended minimum operational data

Gold-silver contacts:

Voltage	5VDC	24VDC	110VDC
Current	15mA	5mA	2mA

Hardsilver contacts:

Voltage	24VDC	110VDC
Current	50mA	10mA

Protection class

Indicators and switches, fit for mounting into devices with protection class II

Environmental conditions

Storage temperature

-40°C ... +85°C

Operating temperature

-40°C ... +55°C

(other temperatures on request)

Protection degree

IP 00

Shock resistance

(single impacts, semi-sinusoidal)

300m/s² puls width 11 ms, as per EN IEC 60068-2-27

Vibration resistance

(sinusoidal)

100m/s² at 10Hz ... 500Hz, amplitude 0.75 mm, as per EN IEC 60068-2-6

Approvals

Approbations

CB (IEC 60947)

CCC

CSA

Germanischer Lloyd

GOST

NFF 16-102

UL

Declaration of conformity

CE

Slow-make switching element PIT

Switching system

The double-break, slow-make switching element is equipped with one or two independent contact systems, acting as normally open or normally closed contact. The normally closed contact has forced opening.

Slow-make contacts with forced action are ideal for high switch ratings.

Up to three switching elements can be snapped to each actuator. For the emergency-stop pushbutton use the slow-make switching element (max. 3).

Material

Material of contact

Hardsilver and gold-silver

Switch housing

Polycarbonate (PC)

Mechanical characteristics

Terminals

PIT push-in terminal

Skimming 8 mm

Wire cross-section:

Wire 0.2 to 1.0mm²

Stranded wire 0.2 to 1.0mm² without core and sleeve

Stranded wire 0.2 to 0.75mm² with core and sleeve

Tightening torque

Screws at the mounting flange max. 25Ncm

Actuating force

1 Normally closed 2N

1 Normally open 3.1N

Actuating travel

5.8 mm ± 0.2 mm

Rebound time

≤ 1 ms

Mechanical lifetime

(with 1 switching element)

Pushbutton maintained action	1.5 million Cycles of operation
Pushbutton momentary action	3 million Cycles of operation
Selector switch maintained action	1.25 million Cycles of operation
Selector switch momentary action	2.5 million Cycles of operation
Emergency-stop switch	50 000 Cycles of operation
Keylock switch maintained action	25 000 Cycles of operation
Keylock switch momentary action	50 000 Cycles of operation

Electrical characteristics

Standards

The switches comply with EN IEC 60947-1/EN IEC 60947-5-1

Rated Insulation Voltage U_i

500 VAC/600 VDC, as per EN IEC 60947-5-1

Contact resistance

New state $\leq 50 \text{ m}\Omega$ as per DIN IEC 60512-2-4

Isolation resistance

$\geq 10 \text{ M}\Omega$ between open contacts at 500 VDC, as per DIN IEC 60512-3-1

Electrical life

6050 cycles of operations

Conventional free air thermal current I_{th}

6 A, as per EN IEC 60947-5-1

the maximum current in continuous operation and at ambient temperature must not exceed the quoted maximum values.

Switch rating

At switch rating AC for gold-silver and hardsilver contacts, service category AC-15, as per EN IEC 60947-5-1 ($\cos\phi 0.3$)

Voltage 250 VAC

Current 6 A

At switch rating DC for gold-silver and hardsilver contacts, service category DC-13, as per EN IEC 60947-5-1

Voltage 24 VDC 110 VDC

Current 6 A 1.0 A

Recommended minimum operational data

Gold-silver contacts:

Voltage 24 VDC

Current 5 mA

Hardsilver contacts:

Voltage 24 VDC

Current 50 mA

Protection class

Indicators and switches, fit for mounting into devices with protection class II

Environmental conditions

Storage temperature

-40 °C ... +85 °C

Operating temperature

-40 °C ... +55 °C

(other temperatures on request)

Protection degree

IP 20

Shock resistance

(single impacts, semi-sinusoidal)

300 m/s² puls width 11 ms, as per EN IEC 60068-2-27

Approvals

Approbations

CB (IEC 60947)

CSA

Germanischer Lloyd

GOST

NFF 16-102

UL

Declaration of conformity

CE

Snap-action switching element PIT

Switching system

The double-break, snap-action switching element is equipped with one or two independent contact systems, acting as normally open or normally closed contact. The snap-action switching element is fitted with self-cleaning contacts.

Up to three switching elements can be snapped to each actuator. Snap-action switching elements are not permissible for emergency-stop pushbuttons!

Material

Material of contact

Hardsilver and gold-silver

Switch housing

Polycarbonate (PC)

Mechanical characteristics

Terminals

PIT push-in terminal
 Skinning 8 mm
 Wire cross-section:
 Wire 0.2 to 1.0 mm²
 Stranded wire 0.2 to 1.0 mm² without core and sleeve
 Stranded wire 0.2 to 0.75 mm² with core and sleeve

Tightening torque

Screws at the mounting flange max. 25 Ncm

Actuating force

1 Normally closed 1.9 N
 1 Normally open 2 N

Actuating travel

5.8 mm ± 0.2 mm

Rebound time

≤ 3 ms

Mechanical lifetime

(with 1 switching element)

Pushbutton maintained action	1.5 million Cycles of operation
Pushbutton momentary action	3 million Cycles of operation
Selector switch maintained action	1.25 million Cycles of operation
Selector switch momentary action	2.5 million Cycles of operation
Emergency-stop switch	50 000 Cycles of operation
Keylock switch maintained action	25 000 Cycles of operation
Keylock switch momentary action	50 000 Cycles of operation

Electrical characteristics

Standards

The switches comply with EN IEC 60947-1/EN IEC 60947-5-1

Rated Insulation Voltage U_i

500 VAC/600 VDC, as per EN IEC 60947-5-1

Contact resistance

New state ≤ 50 mΩ as per DIN IEC 60512-2-4

Isolation resistance

≥ 10 MΩ between open contacts at 500 VDC, as per DIN IEC 60512-3-1

Electrical life

50 000 cycles of operations

Conventional free air thermal current I_{th}

6 A, as per EN IEC 60947-5-1
 the maximum current in continuous operation and at ambient temperature must not exceed the quoted maximum values.

Switch rating

At switch rating AC for gold-silver and hardsilver contacts, service category AC-15, as per EN IEC 60947-5-1 (cos φ 0.3)

Voltage 250 VAC
 Current 6 A

At switch rating DC for gold-silver and hardsilver contacts, service category DC-13, as per EN IEC 60947-5-1

Voltage 24 VDC 110 VDC
 Current 6 A 1.0 A

Recommended minimum operational data

Gold-silver contacts:

Voltage 24 VDC
 Current 5 mA

Hardsilver contacts:

Voltage 24 VDC
 Current 50 mA

Protection class

Indicators and switches, fit for mounting into devices with protection class II

Environmental conditions

Storage temperature

-40 °C ... +85 °C

Operating temperature

-40 °C ... +55 °C
 (other temperatures on request)

Protection degree

IP 20

Shock resistance

(single impacts, semi-sinusoidal)
 300 m/s² puls width 11 ms, as per EN IEC 60068-2-27

Vibration resistance

(sinusoidal)
 100 m/s² at 10 Hz ... 500 Hz, as per EN IEC 60068-2-6 and EN 61373 Increased broad band noise, class 1B

Approvals

Approbations

CB (IEC 60947)
 CSA
 Germanischer Lloyd
 GOST
 NFF 16-102
 UL

Declaration of conformity

CE

56 Application guidelines

Suppressor circuits

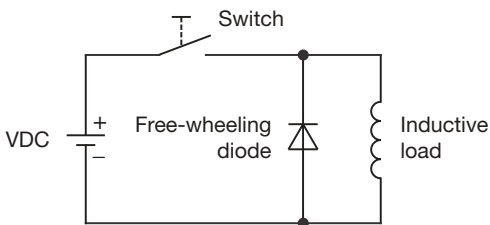
When switching inductive loads such as relays, DC motors, and DC solenoids, it is always important to absorb surges (e.g. with a diode) to protect the contacts. When these inductive loads are switched off, a counter emf can severely damage switch contacts and greatly shorten lifetime.

Fig. 1 shows an inductive load with a free-wheeling diode connected in parallel. This free-wheeling diode provides a path for the inductor current to flow when the current is interrupted by the switch. Without this free-wheeling diode, the voltage across the coil will be limited only by dielectric breakdown voltages of the circuit or parasitic elements of the coil. This voltage can be kilovolts in amplitude even when nominal circuit voltages are low (e.g. 12VDC) see Fig. 2.

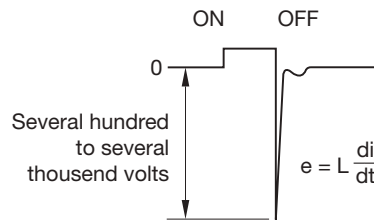
The free-wheeling diode should be chosen so that the reverse breakdown voltage is greater than the voltage driving the inductive load. The DC blocking voltage (VR) of the free-wheeling diode can be found in the datasheet of a diode. The forward current should be equal or greater than the maximum current flowing through the load.

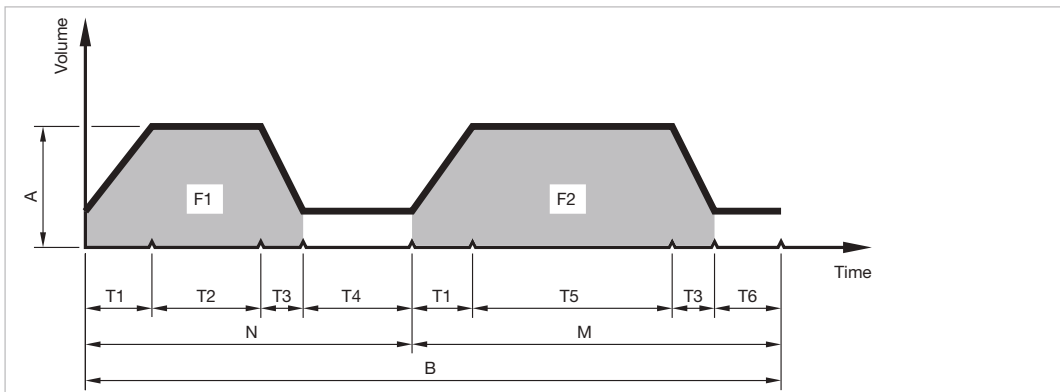
To get an efficient protection, the free-wheeling diode must be connected as close as possible to the inductive load!

Switching with inductive load
Fig. 1



Counter EMF
over load without free-wheeling diode
Fig. 2



Multi-Tone Sound Module, standard tone sequence


Diagram

F1	Frequency 1 of a tone sequence
T2	Playing time tone 1
T4	Break
N	Number of repetitions of tone 1
F2	Frequency 2 of a tone sequence
T5	Playing time tone 2
T6	Break
M	Number of repetitions of tone 2
A	Volume level (± 8 dB) @ 10 cm
B	Number of repetitions of the complete tone sequence, or blockage of the tone sequence
T1	Fade-in tone 1 and 2
T3	Fade-out tone 1 and 2

Tone sequences 1-5 Transportation (T)

	Parameter	Sequence 1 Door orientation signal	Sequence 2 Door opening signal	Sequence 3 Warning signal for door closing	Sequence 4 Door out of order signal	Sequence 5 Hussle Alarm
Tone 1	F1	500 Hz	800 Hz	2000 Hz	1400 Hz	875 Hz
	T2	500 ms	300 ms	500 ms	50 ms	1000 ms
	T4	900 ms	700 ms	200 ms	100 ms	250 ms
	N	∞	1	∞	3	3
Tone 2	F2	deactivated	830 Hz	deactivated	deactivated	deactivated
	T5	deactivated	500 ms	deactivated	deactivated	deactivated
	T6	deactivated	0 ms	deactivated	deactivated	deactivated
	M	deactivated	1	deactivated	deactivated	deactivated
General	A	3 / 78 dB (A)	3 / 78 dB (A)	5 / 90 dB (A)	3 / 78 dB (A)	3 / 78 dB (A)
	B	∞	∞	1	1	1
	T1	0 ms	0 ms	0 ms	0 ms	0 ms
	T3	0 ms	0 ms	0 ms	0 ms	0 ms

56 Application guidelines

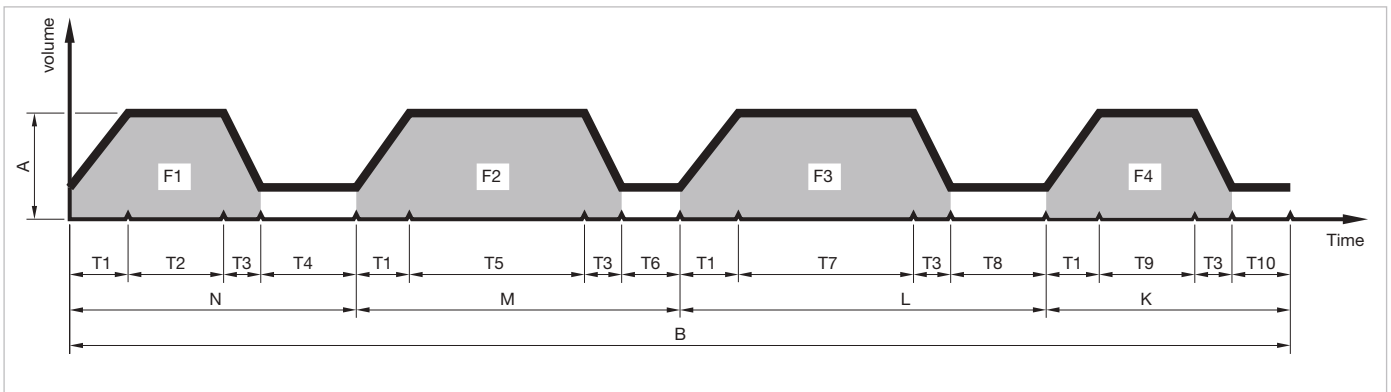
Tone sequences 1-3 Transportation (T1)

	Parameter	Sequence 1 Door enabled	Sequence 2 Door closing	Sequence 3 Signal for visual impaired people
Tone 1	F1	1500 Hz	1900 Hz	600 Hz
	T2	∞	50 ms	50 ms
	T4	250 ms	50 ms	20 ms
	N	∞	∞	2
Tone 2	F2	deactivated	deactivated	500 Hz
	T5	deactivated	deactivated	1000 ms
	T6	deactivated	deactivated	900 ms
	M	deactivated	deactivated	1
General	A	17 / 90 db (A)	17 / 90 dB (A)	9 / 78 dB (A)
	B	∞	∞	∞
	T1	0 ms	0 ms	0 ms
	T3	0 ms	0 ms	0 ms

Tone sequences 6-10 Machinery (M)

	Parameter	Sequence 6	Sequence 7	Sequence 8	Sequence 9	Sequence 10
Tone 1	F1	750 Hz	2500 Hz	2000 Hz	2500 Hz	1000 Hz
	T2	100 ms	300 ms	250 ms	100 ms	500 ms
	T4	200 ms	500 ms	200 ms	100 ms	100 ms
	N	1	1	1	2	1
Tone 2	F2	500 Hz	2000 Hz	1000 Hz	2000 Hz	1500 Hz
	T5	450 ms	500 ms	250 ms	100 ms	500 ms
	T6	100 ms	400 ms	200 ms	100 ms	100 ms
	M	1	1	1	2	1
General	A	4 / 84 dB (A)	4 / 84 dB (A)	5 / 90 dB (A)	5 / 90 dB (A)	4 / 84 dB (A)
	B	∞	∞	∞	∞	∞
	T1	0 ms	0 ms	0 ms	0 ms	0 ms
	T3	200 ms	0 ms	500 ms	0 ms	0 ms

Multi-Ton Sound Modul, self adjusting, standard Tone sequence



Diagram

F1	Frequency 1 of a tone sequence
T2	Playing time tone 1
T4	Break
N	Number of repetitions of tone 1
F2	Frequency 2 of a tone sequence
T5	Playing time tone 2
T6	Break
M	Number of repetitions of tone 2
F3	Frequency 3 of a tone sequence
T7	Playing time tone 3
T8	Break

L	Number of repetitions of tone 3
F4	Frequency 4 of a tone sequence
T9	Playing time tone 4
T10	Break
K	Number of repetitions of tone 4
A	Basic volume level
D	Acoustic pressure difference
B	Number of repetitions of the complete tone sequence, or blockage of the tone sequence
T1	Fade-in tone 1 to 4
T3	Fade-out tone 1 to 4

Tone sequences 6 1-6							
	Parameter	Sequence 1 Door enabled	Sequence 2 Door closing	Sequence 3 Customer specific	Sequence 4 Customer specific	Sequence 5 Customer specific	Sequence 6 Customer specific
Tone 1	F1	1500 Hz	1900 Hz	-	-	-	-
	T2	250 ms	100 ms	-	-	-	-
	T4	250 ms	50 ms	-	-	-	-
	N	∞	1	-	-	-	-
Tone 2	F2	deactivated	deactivated	-	-	-	-
	T5	deactivated	deactivated	-	-	-	-
	T6	deactivated	deactivated	-	-	-	-
	M	deactivated	deactivated	-	-	-	-
Tone 3	F3	deactivated	deactivated	-	-	-	-
	T7	deactivated	deactivated	-	-	-	-
	T8	deactivated	deactivated	-	-	-	-
	L	deactivated	deactivated	-	-	-	-
Tone 4	F4	deactivated	deactivated	-	-	-	-
	T9	deactivated	deactivated	-	-	-	-
	T10	deactivated	deactivated	-	-	-	-
	K	deactivated	deactivated	-	-	-	-
General	A	48 dB (A) @ 1.5m	48 dB (A) @ 1.5m	-	-	-	-
	D	+2 db	+2 db	-	-	-	-
	B	∞	∞	-	-	-	-
	T1	0 ms	0 ms	-	-	-	-
	T3	0 ms	0 ms	-	-	-	-

Index from Part No.

Part No.	Page	Part No.	Page
56-1000	25	704.905.4	28
56-1200	25	704.905.4/D	29
56-1291	26	704.905.5	28
56-1300	25	704.905.5/D	29
56-1391	26	704.907.1	27
56-1392	26	704.907.2	27
56-1400	25	704.907.3	27
56-1491	26	704.907.4	27
56-1492	26	704.907.5	27
56-1500	25	704.908.1	27
56-1600	25	704.908.2	27
56-1800	25	704.908.3	27
56-1800A	25	704.908.4	27
56-2200	25	704.908.5	27
56-2400	25	704.910.1	30
56-2500	25	704.910.1B	31
56-2600	25	704.910.2	30
56-3600	25	704.910.2B	31
56-4600	25	704.910.3	30
56-5200	25	704.910.3B	31
56-5300	25	704.910.4	30
56-5400	25	704.910.4B	31
56-5500	25	704.910.5	30
56-5600	25	704.910.5B	31
56-5800	25	704.911.1	30
56-5800A	25	704.911.1B	31
56-7600	25	704.911.2	30
56-8000.1A	26	704.911.2B	31
56-8000.3A	26	704.911.3	30
56-8000.5A	26	704.911.3B	31
56-8000.A	26	704.911.4	30
56-990	35	704.911.4B	31
56-991	34	704.911.5	30
56-991D	34	704.911.5B	31
56-992	32	704.912.1	30
56-992A	32	704.912.2	30
56-992B	33	704.912.3	30
56-992C	33	704.912.4	30
56-992D	33	704.912.5	30
56-992E	33	704.915.1	28
56-992F	33	704.915.1/D	29
56-993	33	704.915.2	28
56-994	35	704.915.2/D	29
56-995	35	704.915.3	28
56-999	34	704.915.3/D	29
57-9901	34	704.915.4	28
704.900.1	29	704.915.4/D	29
704.900.1B	31	704.915.5	28
704.900.2	29	704.915.5/D	29
704.900.2B	31	704.917.1	28
704.900.3	29	704.917.2	28
704.900.3B	31	704.917.3	28
704.900.4	29	704.917.4	28
704.900.4B	31	704.917.5	28
704.900.5	29	704.918.1	28
704.900.5B	31	704.918.2	28
704.901.1	29	704.918.3	28
704.901.1/D	28	704.918.4	28
704.901.2	29	704.918.5	28
704.901.2/D	28		
704.901.3	29		
704.901.3/D	28		
704.901.4	29		
704.901.4/D	28		
704.901.5	29		
704.901.5/D	29		
704.902.1	29		
704.902.2	29		
704.902.3	29		
704.902.4	29		
704.902.5	29		
704.905.1	28		
704.905.1/D	29		
704.905.2	28		
704.905.2/D	29		
704.905.3	28		
704.905.3/D	29		