

Series Swisstac – 55

Characteristics

The modular 16 mm Swisstac Series is particularly suited for:

- Raised design
- PCB mounting

The modular design of this series caters to a broad range of applications and combinations.

Functions

The series incorporates the following functions:

- Indicator
- Pushbutton
- Illuminated pushbutton
- E-STOP switch
- Stop switch
- Mushroom-head pushbutton
- Keylock switch
- Selector switch
- Buzzer

Market segments

The EAO Series Swisstac is especially suited for applications in the segments:

- Public transportation
- Machinery and Automation
- Construction machines and special-purpose vehicles
- Lifting and moving
- Panel building

Please refer to the EAO website to obtain detailed information regarding this series www.products.eao.com
Configure a product to your exact needs and request a quotation.



Overview**Raised design**

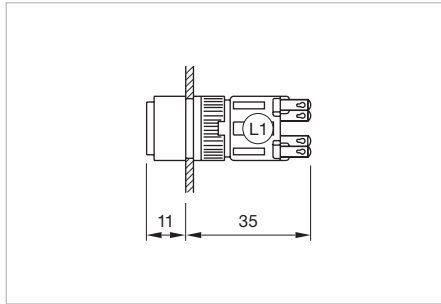
Indicator	4
Buzzer	10
Illuminated pushbutton	12
Stop switch	23
Keylock switch	25
Selector switch	50
Illuminated push-pull button	60

Accessories **61****Drawings** **88****Technical data** **89****Marking** **95****Application guidelines** **96****Index** **99**

Indicator



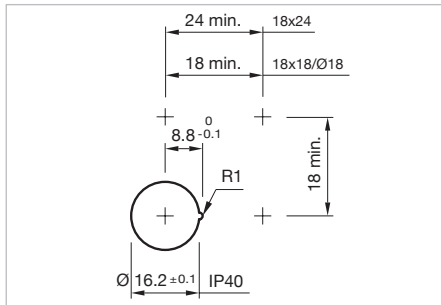
Product can differ from the current configuration.



Dimensions [mm]
L1 = Solder terminal 2.8 x 0.5 mm

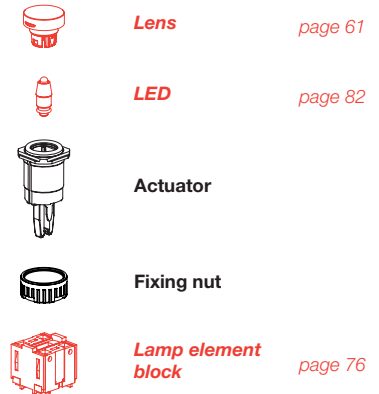
Additional Information

- For the flush design please order the additional front bezel set, see chapter «Accessories»
- With IP 65 no anti-rotation device can be placed within the mounting cut-out. For rear-side mounting of the anti-rotation device, please see chapter «Accessories», Part No. 260-0020-00 or 260-0021-00






Mounting cut-outs [mm]

Equipment consisting of (schematic overview)

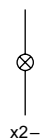


Each Part Number listed below includes all the black components shown in the 3D-drawing.

To obtain a complete unit, please select the red components from the pages shown.

Front protection	Behind panel depth	Lamp socket	Part No.	Wiring diagram	Weight
 <p>Indicator actuator, Front dimension 18 x 18 mm</p>					
IP 40	35 mm	T1 ¼ MG	690-4000-00	1	0.004 kg
IP 65	35 mm	T1 ¼ MG	690-4000-W0	1	0.005 kg
 <p>Indicator actuator, Front dimension 18 x 24 mm</p>					
IP 40	35 mm	T1 ¼ MG	690-6000-00	1	0.004 kg
IP 65	35 mm	T1 ¼ MG	690-6000-W0	1	0.005 kg
 <p>Indicator actuator, Front dimension Ø 18 mm</p>					
IP 40	35 mm	T1 ¼ MG	690-2000-00	1	0.004 kg
IP 65	35 mm	T1 ¼ MG	690-2000-W0	1	0.005 kg

x1+











x2-

Wiring diagram 1

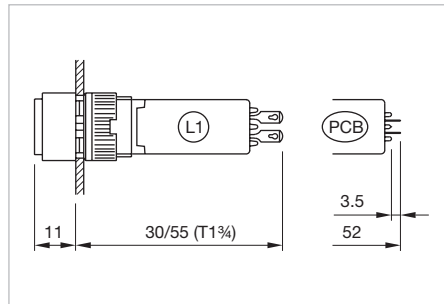
Indicator square 24 x 24 mm

Equipment consisting of (schematic overview)

-  **Lens** page 62
-  **Pressure ring** page 69
-  **Sealing bulb** page 69
-  **Sealing ring** page 69
-  **Front bezel** page 69
-  **LED** page 82
-  **Actuator**
-  **Fixing nut**

Each Part Number listed below includes all the black components shown in the 3D-drawing.

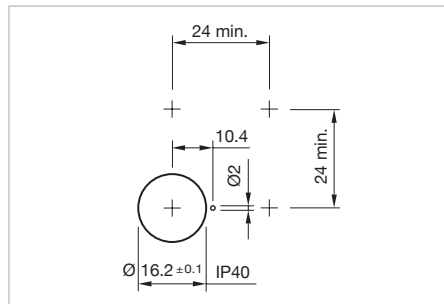
To obtain a complete unit, please select the red components from the pages shown.



Dimensions [mm]
L1 = Solder terminal 2.8 x 0.5 mm,
PCB = Print terminal




Product can differ from the current configuration.

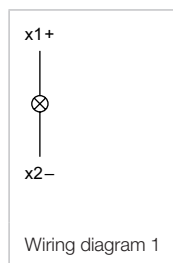


Mounting cut-outs [mm]

Additional Information

- With IP 65 no anti-rotation device can be placed within the mounting cut-out. For rear-side mounting of the anti-rotation device, please see chapter «Accessories», Part No. 260-0020-00 or 260-0021-00
- Protection degree IP 40/IP 65 is determined by front bezel and lens

Behind panel depth	Terminal	Lamp socket	Part No.	Wiring diagram	Weight
 Indicator actuator square, flush design, Front dimension 24 x 24 mm					
30 mm	Solder 2.8 x 0.5 mm	T1 3/4 MG	990-.000-K0	1	0.004 kg
52 mm	PCB	T1 3/4 MG	990-.000-0P	1	0.007 kg
55 mm	Solder 2.8 x 0.5 mm	T1 3/4 MG	990-.000-00	1	0.007 kg

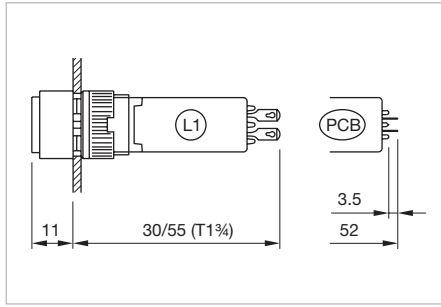


55 Raised design

Indicator square 18 x 18 mm



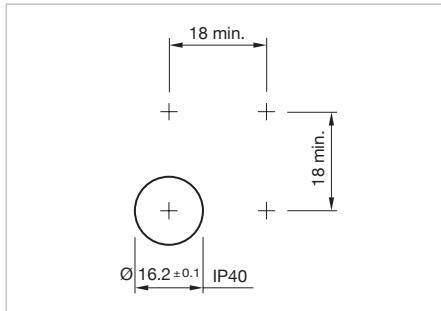
Product can differ from the current configuration.



Dimensions [mm]
L1 = Solder terminal 2.8 x 0.5 mm,
PCB = Print terminal




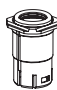

Additional Information

- For the flush design please order the additional front bezel set, see chapter «Accessories»
- Protection degree IP 40/IP 65 is determined by front bezel and lens




Mounting cut-outs [mm]

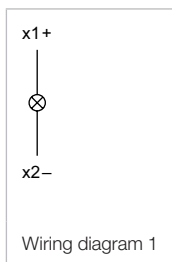
Equipment consisting of (schematic overview)

	Lens	page 62
	Front bezel	page 69
	LED	page 82
	Actuator	
	Fixing nut	

Each Part Number listed below includes all the black components shown in the 3D-drawing.




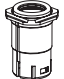

To obtain a complete unit, please select the red components from the pages shown.

Behind panel depth	Terminal	Lamp socket	Part No.	Wiring diagram	Weight
 Indicator actuator square, flush design, Front dimension 18 x 18 mm					
30 mm	Solder 2.8 x 0.5 mm	T1 ¼ MG	990-.000-K0	1	0.004 kg
52 mm	PCB	T1 ¼ MG	990-.000-0P	1	0.007 kg
55 mm	Solder 2.8 x 0.5 mm	T1 ¼ MG	990-.000-00	1	0.007 kg



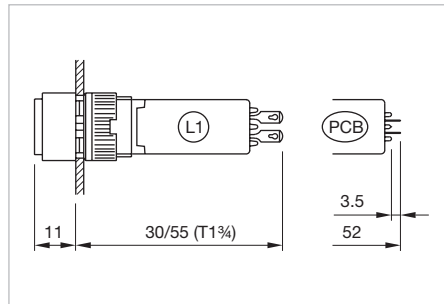
Indicator rectangular 18 x 24 mm

Equipment consisting of (schematic overview)

-  **Lens** page 62
-  **Front bezel** page 69
-  **LED** page 82
-  **Actuator**
-  **Fixing nut**

Each Part Number listed below includes all the black components shown in the 3D-drawing.

To obtain a complete unit, please select the red components from the pages shown.



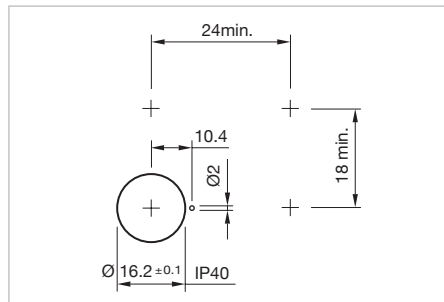
Dimensions [mm]
L1 = Solder terminal 2.8 x 0.5 mm,
PCB = Print terminal




Product can differ from the current configuration.

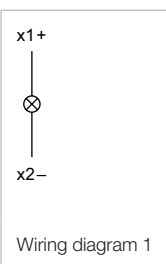
Additional Information

- For the flush design please order the additional front bezel set, see chapter «Accessories»
- With IP 65 no anti-rotation device can be placed within the mounting cut-out. For rear-side mounting of the anti-rotation device, please see chapter «Accessories», Part No. 260-0020-00 or 260-0021-00
- Protection degree IP 40/IP 65 is determined by front bezel and lens



Mounting cut-outs [mm]

Behind panel depth	Terminal	Lamp socket	Part No.	Wiring diagram	Weight
 Indicator actuator rectangular, Front dimension 18 x 24 mm					
30 mm	Solder 2.8 x 0.5 mm	T1 3/4 MG	990-.000-K0	1	0.004 kg
52 mm	PCB	T1 3/4 MG	990-.000-0P	1	0.007 kg
55 mm	Solder 2.8 x 0.5 mm	T1 3/4 MG	990-.000-00	1	0.007 kg

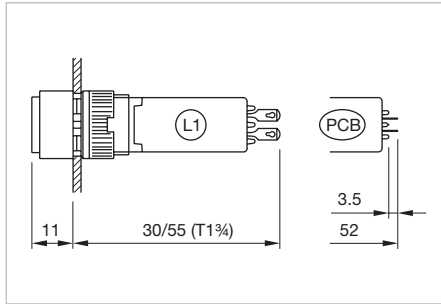


55 Raised design

Indicator round Ø 24 mm



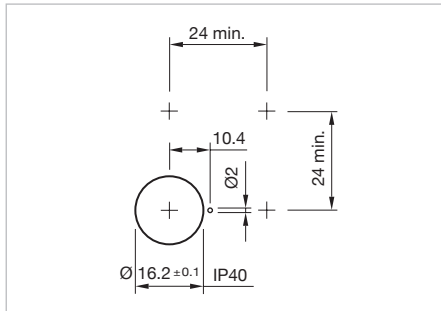
Product can differ from the current configuration.



Dimensions [mm]
L1 = Solder terminal 2.8 x 0.5 mm,
PCB = Print terminal

Additional Information

- With IP 65 no anti-rotation device can be placed within the mounting cut-out. For rear-side mounting of the anti-rotation device, please see chapter «Accessories», Part No. 260-0020-00 or 260-0021-00
- Protection degree IP 40/IP 65 is determined by front bezel and lens




Mounting cut-outs [mm]

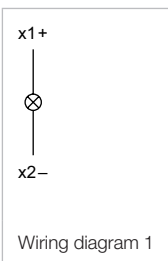
Equipment consisting of (schematic overview)

	Lens	page 62
	Pressure ring	Page 73
	Sealing bulb	Page 73
	Sealing ring	Page 73
	Front bezel	page 69
	LED	page 82
	Actuator	
	Fixing nut	

Each Part Number listed below includes all the black components shown in the 3D-drawing.

To obtain a complete unit, please select the red components from the pages shown.

Behind panel depth	Terminal	Lamp socket	Part No.	Wiring diagram	Weight
 Indicator actuator round, Front dimension Ø 24 mm					
30 mm	Solder 2.8 x 0.5 mm	T1 ¼ MG	990-.000-K0	1	0.004 kg
52 mm	PCB	T1 ¼ MG	990-.000-0P	1	0.007 kg
55 mm	Solder 2.8 x 0.5 mm	T1 ¼ MG	990-.000-00	1	0.007 kg



Indicator round Ø 18 mm

Equipment consisting of (schematic overview)



Lens page 62



Front bezel page 69



LED page 82



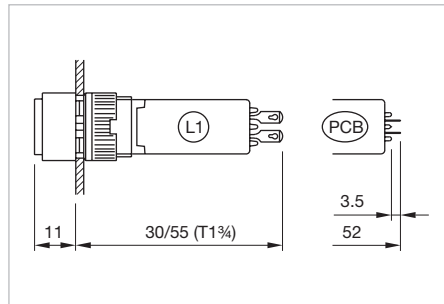
Actuator



Fixing nut

Each Part Number listed below includes all the black components shown in the 3D-drawing.

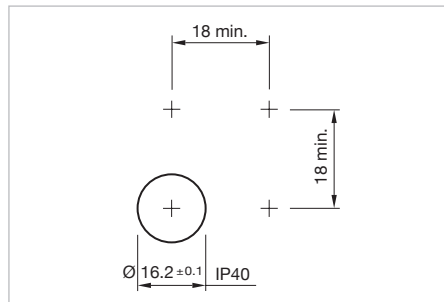
To obtain a complete unit, please select the red components from the pages shown.



Dimensions [mm]
L1 = Solder terminal 2.8 x 0.5 mm,
PCB = Print terminal




Product can differ from the current configuration.

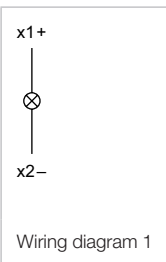


Mounting cut-outs [mm]

Additional Information

- For the flush design please order the additional front bezel set, see chapter «Accessories»
- Protection degree IP 40/IP 65 is determined by front bezel and lens

Behind panel depth	Terminal	Lamp socket	Part No.	Wiring diagram	Weight
 <p>Indicator actuator round, Front dimension Ø 18 mm</p>					
30 mm	Solder 2.8 x 0.5 mm	T1 ¾ MG	990-.000-K0	1	0.004 kg
52 mm	PCB	T1 ¾ MG	990-.000-0P	1	0.007 kg
55 mm	Solder 2.8 x 0.5 mm	T1 ¾ MG	990-.000-00	1	0.007 kg

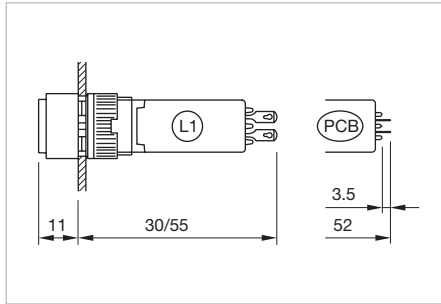


55 Raised design

Buzzer square 24 x 24 mm, IP 40



Product can differ from the current configuration.



Dimensions [mm]
L1 = Solder terminal 2.8 x 0.5 mm,
PCB = Print terminal

Equipment consisting of (schematic overview)



Buzzer element page 87



Front bezel page 88



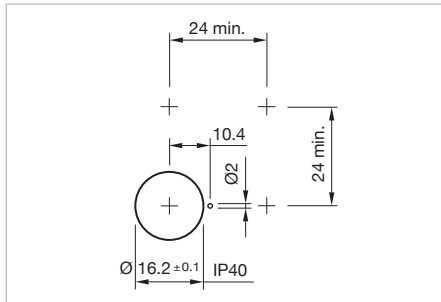
Actuator



Fixing nut

Additional Information


- The buzzer 55 mm fits to the PCB plug-in base and multi plug housing

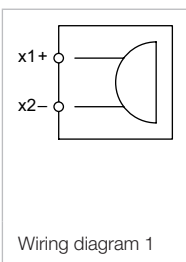


Mounting cut-outs [mm]

Each Part Number listed below includes all the black components shown in the 3D-drawing.

To obtain a complete unit, please select the red components from the pages shown.

Behind panel depth	Terminal	Part No.	Wiring diagram	Weight
 Buzzer actuator square, Front dimension 24 x 24 mm				
30 mm	Solder 2.8 x 0.5 mm	970-.000-K0	1	0.004 kg
52 mm	PCB	970-.000-0P	1	0.007 kg
55 mm	Solder 2.8 x 0.5 mm	970-.000-00	1	0.007 kg



Buzzer rectangular 18 x 24 mm, IP 40

Equipment consisting of (schematic overview)



Buzzer element page 87



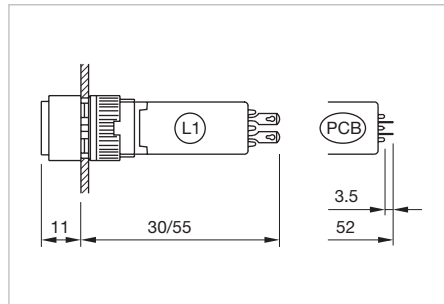
Front bezel page 88



Actuator



Fixing nut



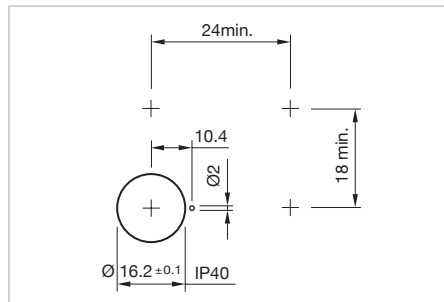
Dimensions [mm]
L1 = Solder terminal 2.8 x 0.5 mm,
PCB = Print terminal



Product can differ from the current configuration.

Each Part Number listed below includes all the black components shown in the 3D-drawing.


To obtain a complete unit, please select the red components from the pages shown.

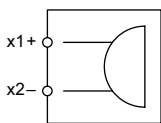


Mounting cut-outs [mm]

Additional Information

- For the flush design please order the additional front bezel set, see chapter «Accessories»
- The buzzer 55 mm fits to the PCB plug-in base and multi plug housing

Behind panel depth	Terminal	Part No.	Wiring diagram	Weight
 <p>Buzzer actuator rectangular, Front dimension 18 x 24 mm</p>				
30 mm	Solder 2.8 x 0.5 mm	970-.000-K0	1	0.004 kg
52 mm	PCB	970-.000-0P	1	0.007 kg
55 mm	Solder 2.8 x 0.5 mm	970-.000-00	1	0.007 kg

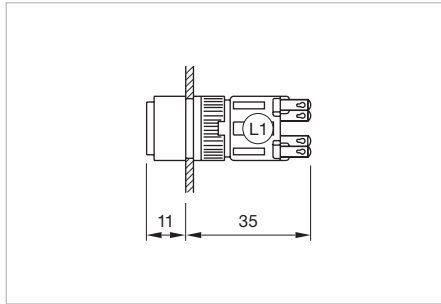


Wiring diagram 1

Illuminated pushbutton



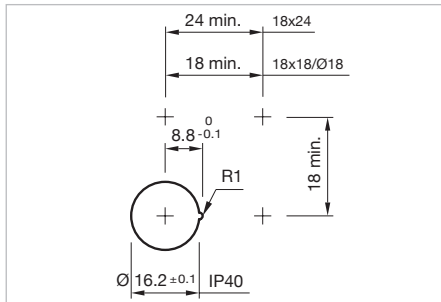
Product can differ from the current configuration.



Dimensions [mm]
L1 = Solder terminal 2.8 x 0.5 mm,

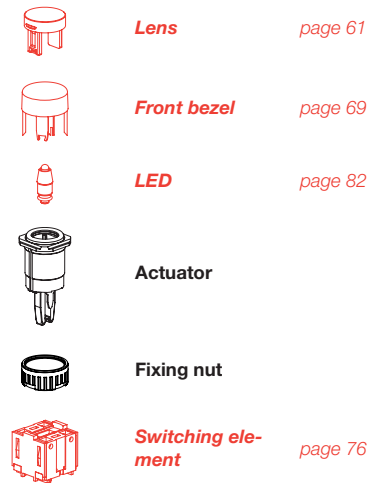
Additional Information

- For the flush design please order the additional front bezel set, see chapter «Accessories»
- With IP 65 no anti-rotation device can be placed within the mounting cut-out. For rear-side mounting of the anti-rotation device, please see chapter «Accessories», Part No. 260-0020-00 or 260-0021-00





Mounting cut-outs [mm]


Equipment consisting of (schematic overview)



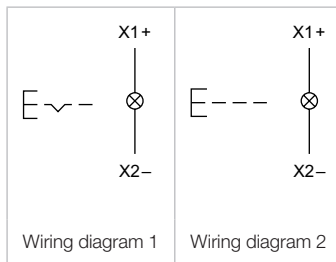
Each Part Number listed below includes all the black components shown in the 3D-drawing.

To obtain a complete unit, please select the red components from the pages shown.

Product attribute	Front protection	Behind panel depth	Switching action	Lamp socket	Part No.	Wiring diagram	Weight
 <p>Illuminated pushbutton actuator, Front dimension 18 x 18 mm</p>							
Maintain to momentary action is switchable, reversible	IP 40	35 mm	C - B	T1 ¼ MG	600-4000-00	1	0.004 kg
	IP 40	35 mm	B	T1 ¼ MG	680-4000-00	2	0.004 kg
Maintain to momentary action is switchable, reversible	IP 65	35 mm	C - B	T1 ¼ MG	600-4000-W0	1	0.005 kg
	IP 65	35 mm	B	T1 ¼ MG	680-4000-W0	2	0.005 kg
 <p>Illuminated pushbutton actuator, Front dimension 18 x 24 mm</p>							
Maintain to momentary action is switchable, reversible	IP 40	35 mm	C - B	T1 ¼ MG	600-6000-00	1	0.004 kg
	IP 40	35 mm	B	T1 ¼ MG	680-6000-00	2	0.004 kg
Maintain to momentary action is switchable, reversible	IP 65	35 mm	C - B	T1 ¼ MG	600-6000-W0	1	0.005 kg
	IP 65	35 mm	B	T1 ¼ MG	680-6000-W0	2	0.005 kg

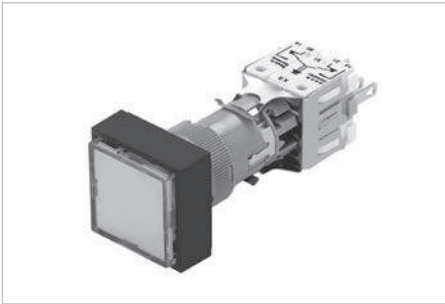
Product attribute	Front protection	Behind panel depth	Switching action	Lamp socket	Part No.	Wiring diagram	Weight
 Illuminated pushbutton actuator, Front dimension Ø 18 mm							
Maintain to momentary action is switchable, reversible	IP 40	35 mm	C - B	T1 ¼ MG	600-2000-00	1	0.004 kg
	IP 40	35 mm	B	T1 ¼ MG	680-2000-00	2	0.004 kg
Maintain to momentary action is switchable, reversible	IP 65	35 mm	C - B	T1 ¼ MG	600-2000-W0	1	0.005 kg
	IP 65	35 mm	B	T1 ¼ MG	680-2000-W0	2	0.005 kg

Switching action: B = Momentary, C = Maintained

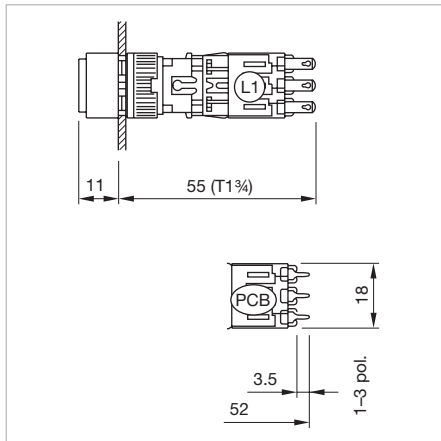


55 Raised design

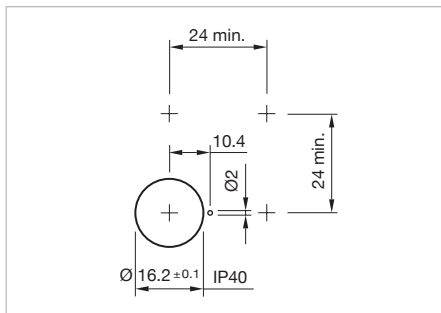
Illuminated pushbutton square 24 x 24 mm



Product can differ from the current configuration.

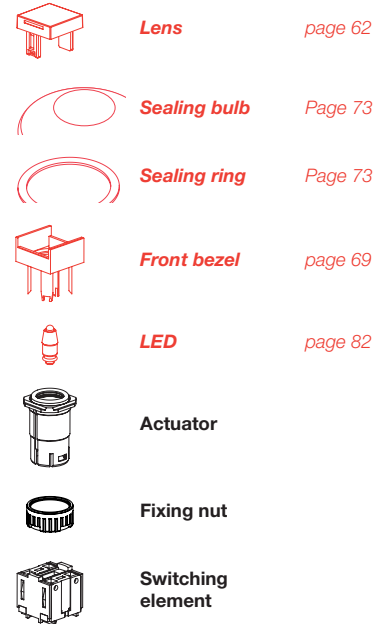


Dimensions [mm]
L1 = Solder terminal 2.8 x 0.5 mm,
PCB = Print terminal



Mounting cut-outs [mm]

Equipment consisting of (schematic overview)




Each Part Number listed below includes all the black components shown in the 3D-drawing.

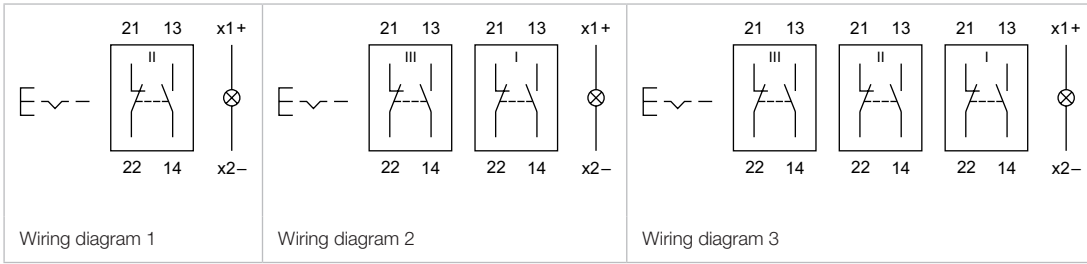
To obtain a complete unit, please select the red components from the pages shown.

Additional Information

- Protection degree IP 40/IP 65 is determined by front bezel and lens
- Maintain to momentary action is switchable, reversible
- With IP 65 no anti-rotation device can be placed within the mounting cut-out. For rear-side mounting of the anti-rotation device, please see chapter «Accessories», Part No. 260-0020-00 or 260-0021-00

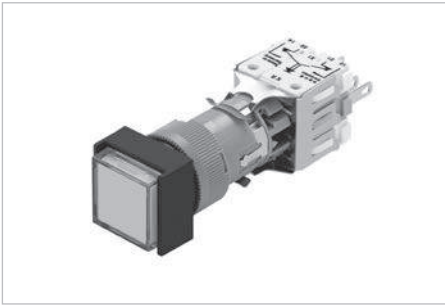
Switching system	Behind panel depth	Contacts	Switching action	Lamp socket	Terminal	Part No.	Component layout	Wiring diagram	Weight
 Illuminated pushbutton actuator square, Front dimension 24 x 24 mm	52 mm	1 NC + 1 NO	C - B	T1 3/4 MG	PCB	901F.000-0P	1	1	0.013 kg
		2 NC + 2 NO	C - B	T1 3/4 MG	PCB	902F.000-0P	1	2	0.014 kg
		3 NC + 3 NO	C - B	T1 3/4 MG	PCB	903F.000-0P	1	3	0.014 kg
	55 mm	1 NC + 1 NO	C - B	T1 3/4 MG	Solder 2.8 x 0.5 mm	901F.000-00		1	0.013 kg
		2 NC + 2 NO	C - B	T1 3/4 MG	Solder 2.8 x 0.5 mm	902F.000-00		2	0.014 kg
		3 NC + 3 NO	C - B	T1 3/4 MG	Solder 2.8 x 0.5 mm	903F.000-00		3	0.015 kg

Contacts: NC = Normally closed, NO = Normally open
Switching action: B = Momentary, C = Maintained
The component layouts you will find from page 107

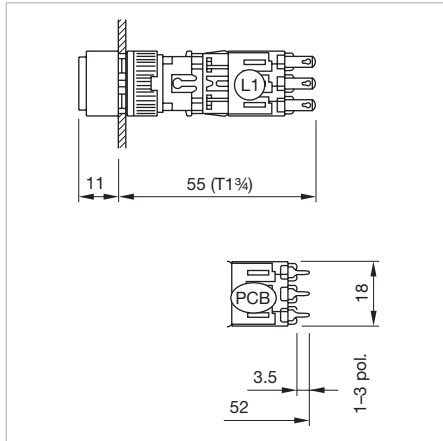


55 Raised design

Illuminated pushbutton square 18 x 18 mm

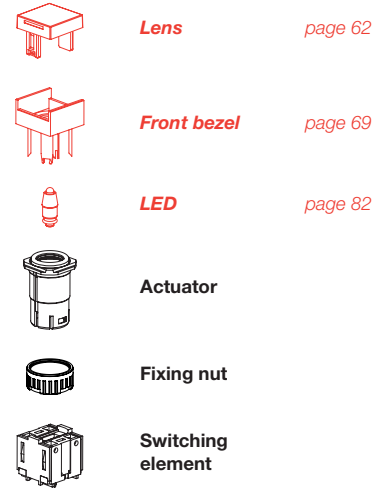


Product can differ from the current configuration.



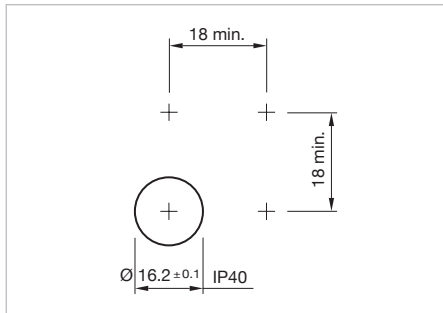
Dimensions [mm]
L1 = Solder terminal 2.8 x 0.5 mm,
PCB = Print terminal

Equipment consisting of (schematic overview)



Additional Information


- For the flush design please order the additional front bezel set, see chapter «Accessories»
- Protection degree IP 40/IP 65 is determined by front bezel and lens
- Maintain to momentary action is switchable, reversible



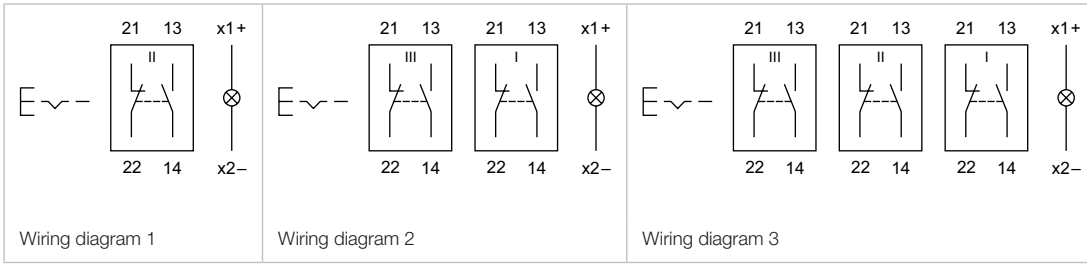
Mounting cut-outs [mm]

Each Part Number listed below includes all the black components shown in the 3D-drawing.

To obtain a complete unit, please select the red components from the pages shown.

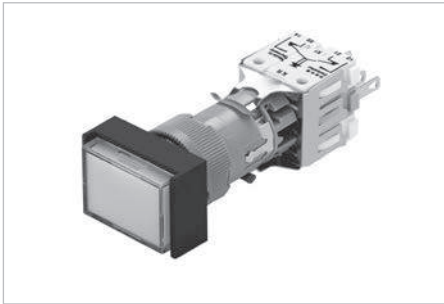
Switching system	Behind panel depth	Contacts	Switching action	Lamp socket	Terminal	Part No.	Component layout	Wiring diagram	Weight
 Illuminated pushbutton actuator square, Front dimension 18 x 18 mm	52 mm	1 NC + 1 NO	C - B	T1 ¼ MG	PCB	901F.000-0P	1	1	0.013 kg
		2 NC + 2 NO	C - B	T1 ¼ MG	PCB	902F.000-0P	1	2	0.014 kg
		3 NC + 3 NO	C - B	T1 ¼ MG	PCB	903F.000-0P	1	3	0.014 kg
	55 mm	1 NC + 1 NO	C - B	T1 ¼ MG	Solder 2.8 x 0.5 mm	901F.000-00		1	0.013 kg
		2 NC + 2 NO	C - B	T1 ¼ MG	Solder 2.8 x 0.5 mm	902F.000-00		2	0.014 kg
		3 NC + 3 NO	C - B	T1 ¼ MG	Solder 2.8 x 0.5 mm	903F.000-00		3	0.015 kg

Contacts: NC = Normally closed, NO = Normally open
Switching action: B = Momentary, C = Maintained
The component layouts you will find from page 107

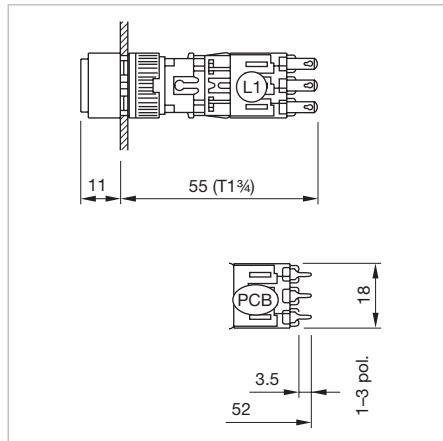


55 Raised design

Illuminated pushbutton rectangular 18 x 24 mm

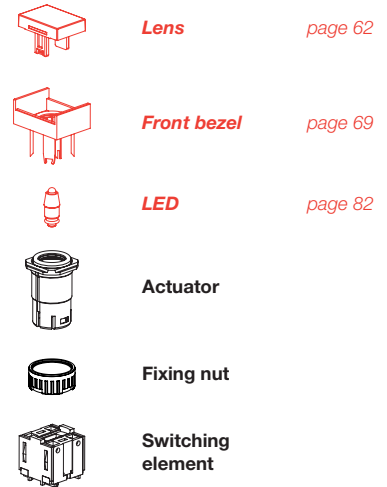


Product can differ from the current configuration.



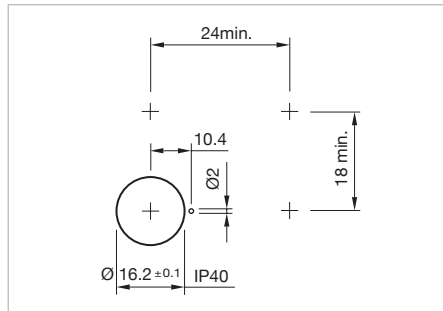
Dimensions [mm]
L1 = Solder terminal 2.8 x 0.5 mm,
PCB = Print terminal

Equipment consisting of (schematic overview)



Additional Information


- For the flush design please order the additional front bezel set, see chapter «Accessories»
- Protection degree IP 40/IP 65 is determined by front bezel and lens
- Maintain to momentary action is switchable, reversible
- With IP 65 no anti-rotation device can be placed within the mounting cut-out. For rear-side mounting of the anti-rotation device, please see chapter «Accessories», Part No. 260-0020-00 or 260-0021-00



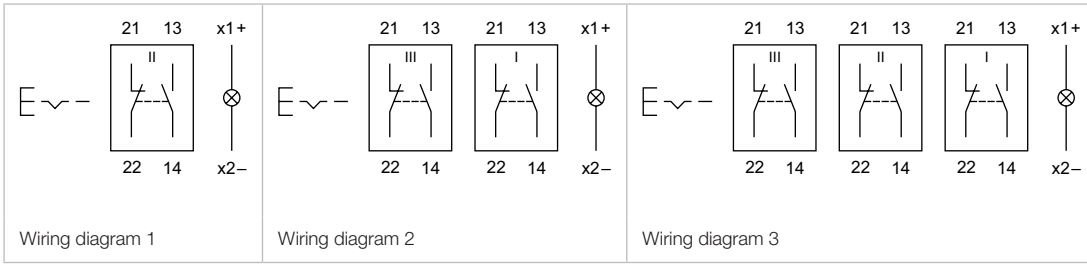
Mounting cut-outs [mm]

Each Part Number listed below includes all the black components shown in the 3D-drawing.

To obtain a complete unit, please select the red components from the pages shown.

Switching system	Behind panel depth	Contacts	Switching action	Lamp socket	Terminal	Part No.	Component layout	Wiring diagram	Weight
 Illuminated pushbutton actuator rectangular, Front dimension 18 x 24 mm	52 mm	1 NC + 1 NO	C - B	T1 ¼ MG	PCB	901F.000-0P	1	1	0.013 kg
		2 NC + 2 NO	C - B	T1 ¼ MG	PCB	902F.000-0P	1	2	0.014 kg
		3 NC + 3 NO	C - B	T1 ¼ MG	PCB	903F.000-0P	1	3	0.014 kg
	55 mm	1 NC + 1 NO	C - B	T1 ¼ MG	Solder 2.8 x 0.5 mm	901F.000-00		1	0.013 kg
		2 NC + 2 NO	C - B	T1 ¼ MG	Solder 2.8 x 0.5 mm	902F.000-00		2	0.014 kg
		3 NC + 3 NO	C - B	T1 ¼ MG	Solder 2.8 x 0.5 mm	903F.000-00		3	0.015 kg

Contacts: NC = Normally closed, NO = Normally open
Switching action: B = Momentary, C = Maintained
The component layouts you will find from page 107

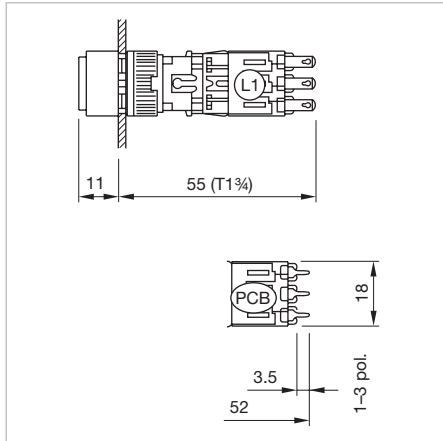


55 Raised design

Illuminated pushbutton round Ø 24 mm



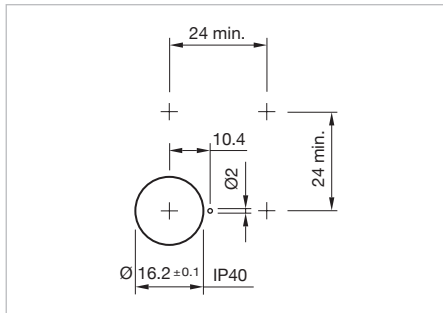
Product can differ from the current configuration.



Dimensions [mm]
L1 = Solder terminal 2.8 x 0.5 mm,
PCB = Print terminal

Additional Information

- Protection degree IP 40/IP 65 is determined by front bezel and lens
- Maintain to momentary action is switchable, reversible
- With IP 65 no anti-rotation device can be placed within the mounting cut-out. For rear-side mounting of the anti-rotation device, please see chapter «Accessories», Part No. 260-0020-00 or 260-0021-00



Mounting cut-outs [mm]

Equipment consisting of (schematic overview)

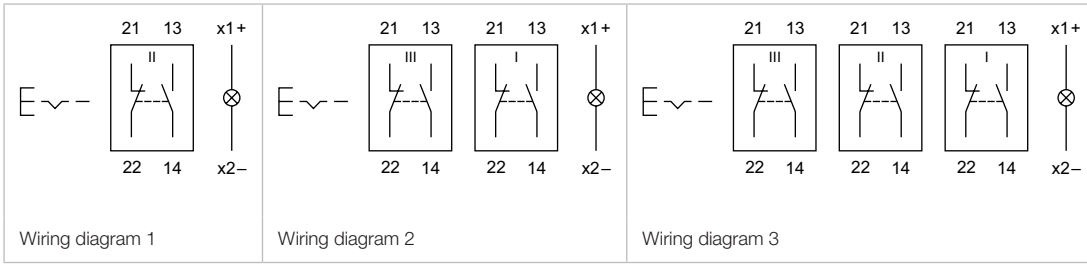
	Lens	page 62
	Sealing bulb	Page 73
	Sealing ring	Page 73
	Front bezel	page 69
	LED	page 82
	Actuator	
	Fixing nut	
	Switching element	

Each Part Number listed below includes all the black components shown in the 3D-drawing.

To obtain a complete unit, please select the red components from the pages shown.

Switching system	Behind panel depth	Contacts	Switching action	Lamp socket	Terminal	Part No.	Component layout	Wiring diagram	Weight
Illuminated pushbutton actuator round, Front dimension Ø 24 mm	52 mm	1 NC + 1 NO	C - B	T1 3/4 MG	PCB	901F.000-0P	1	1	0.013 kg
		2 NC + 2 NO	C - B	T1 3/4 MG	PCB	902F.000-0P	1	2	0.014 kg
		3 NC + 3 NO	C - B	T1 3/4 MG	PCB	903F.000-0P	1	3	0.014 kg
	55 mm	1 NC + 1 NO	C - B	T1 3/4 MG	Solder 2.8 x 0.5 mm	901F.000-00		1	0.013 kg
		2 NC + 2 NO	C - B	T1 3/4 MG	Solder 2.8 x 0.5 mm	902F.000-00		2	0.014 kg
		3 NC + 3 NO	C - B	T1 3/4 MG	Solder 2.8 x 0.5 mm	903F.000-00		3	0.015 kg

Contacts: NC = Normally closed, NO = Normally open
Switching action: B = Momentary, C = Maintained
The component layouts you will find from page 107

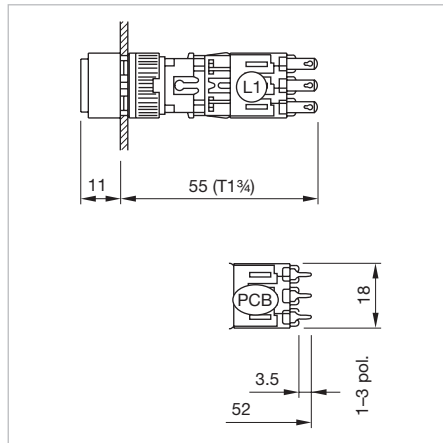


55 Raised design

Illuminated pushbutton round Ø 18 mm

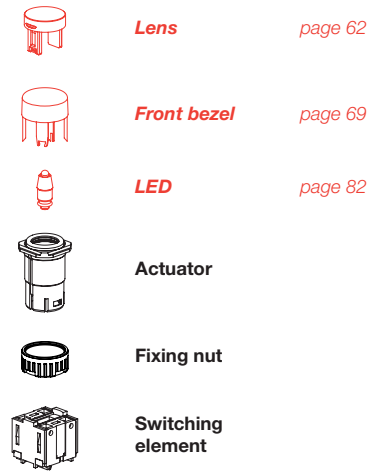


Product can differ from the current configuration.



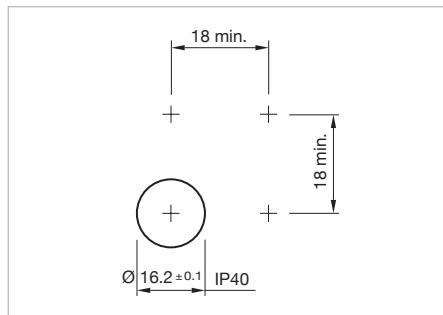
Dimensions [mm]
L1 = Solder terminal 2.8 x 0.5 mm,
PCB = Print terminal

Equipment consisting of (schematic overview)



Additional Information


- For the flush design please order the additional front bezel set, see chapter «Accessories»
- Protection degree IP 40/IP 65 is determined by front bezel and lens
- Maintain to momentary action is switchable, reversible



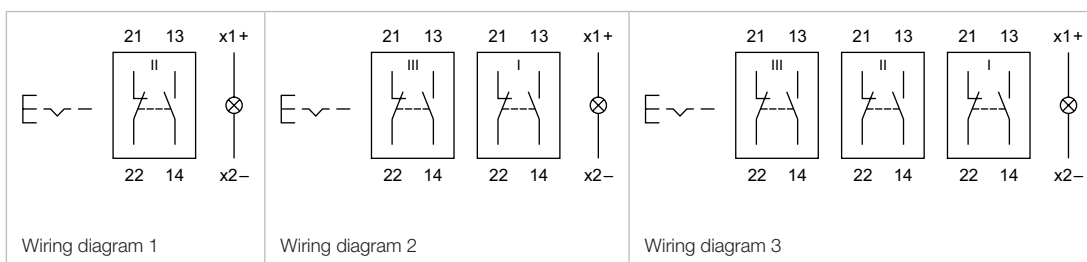
Mounting cut-outs [mm]

Each Part Number listed below includes all the black components shown in the 3D-drawing.

To obtain a complete unit, please select the red components from the pages shown.

Switching system	Behind panel depth	Contacts	Switching action	Lamp socket	Terminal	Part No.	Component layout	Wiring diagram	Weight
 Illuminated pushbutton actuator round, Front dimension Ø 18 mm									
Snap-action switching element	52 mm	1 NC + 1 NO	C - B	T1 ¼ MG	PCB	901F.000-0P	1	1	0.013 kg
		2 NC + 2 NO	C - B2	T1 ¼ MG	PCB	902F.000-0P	1	2	0.014 kg
		3 NC + 3 NO	C - B	T1 ¼ MG	PCB	903F.000-0P	1	3	0.014 kg
	55 mm	1 NC + 1 NO	C - B	T1 ¼ MG	Solder 2.8 x 0.5 mm	901F.000-00		1	0.013 kg
		2 NC + 2 NO	C - B	T1 ¼ MG	Solder 2.8 x 0.5 mm	902F.000-00		2	0.014 kg
		3 NC + 3 NO	C - B	T1 ¼ MG	Solder 2.8 x 0.5 mm	903F.000-00		3	0.015 kg

Contacts: NC = Normally closed, NO = Normally open
Switching action: B = Momentary, C = Maintained
The component layouts you will find from page 107



Stop switch

Equipment consisting of (schematic overview)



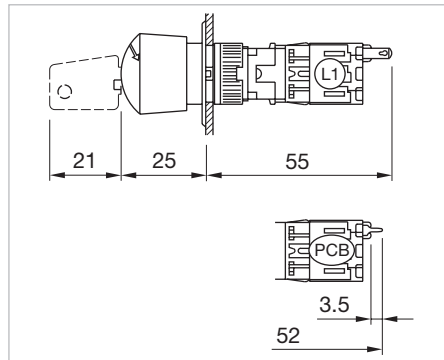
Actuator



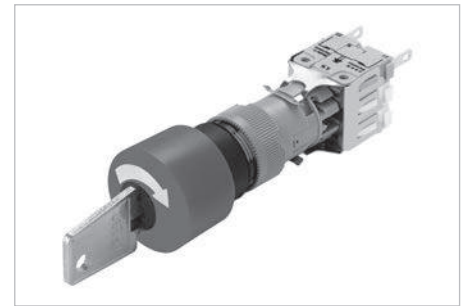
Fixing nut



Switching element

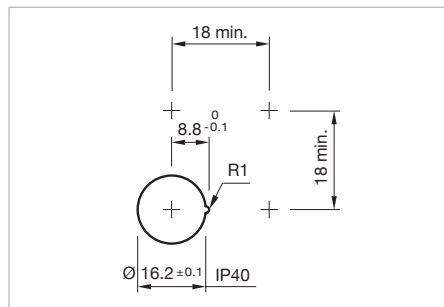


Dimensions [mm]
L1 = Solder terminal 2.8 x 0.5 mm,
PCB = Print terminal



Product can differ from the current configuration.




Each Part Number listed below includes all the black components shown in the 3D-drawing.






Mounting cut-outs [mm]

Additional Information

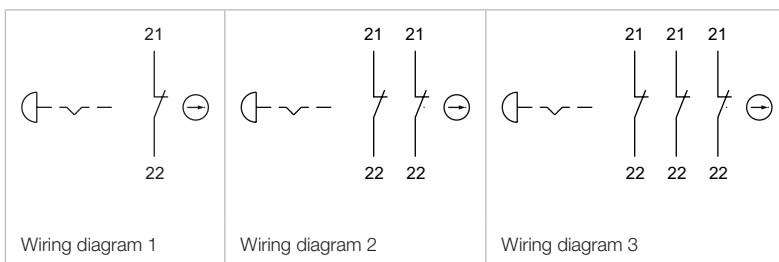
- Lens plastic red, translucent mushroom
- Standard lock B2 390
- Further lock numbers see «Technical data»
- Use the location strip no. 260-0020-00 for anti-twisting of the front bezel. At momentary position the overturning force is max. 60 Nm.

Product attribute	Front protection	Switching system	Behind panel depth	Contacts	Terminal	Part No.	Wiring diagram	Weight
 <p>Stop switch, Front dimension Ø 24 mm</p>								
Twist to unlock clockwise	IP 40	Slow-make switching element	55 mm	1 NC	Solder 2.8 x 0.5 mm	951F2000-00	1	0.018 kg
				2 NC	Solder 2.8 x 0.5 mm	952F2000-00	2	0.019 kg
				3 NC	Solder 2.8 x 0.5 mm	953F2000-00	3	0.020 kg
 <p>Stop switch, Front dimension Ø 24 mm</p>								
Twist to unlock clockwise	IP 65	Slow-make switching element	55 mm	1 NC	Solder 2.8 x 0.5 mm	951F2000-W0	1	0.018 kg
				2 NC	Solder 2.8 x 0.5 mm	952F2000-W0	2	0.019 kg
				3 NC	Solder 2.8 x 0.5 mm	953F2000-W0	3	0.020 kg
 <p>Stop switch, Front dimension Ø 27 mm</p>								
Twist to unlock clockwise, position indication ring black	IP65	Slow-make switching element	41 mm	1 NC	Solder 2.8 x 0.5 mm	551-8000-W0	1	0.025 kg
				2 NC	Solder 2.8 x 0.5 mm	552-8000-W0	2	0.025 kg
				1 NC + 1 NO	Solder 2.8 x 0.5 mm	553-8000-W0	3	0.025 kg

55 Raised design

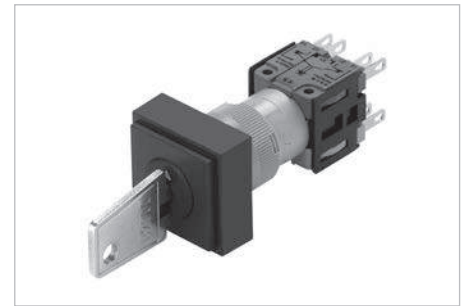
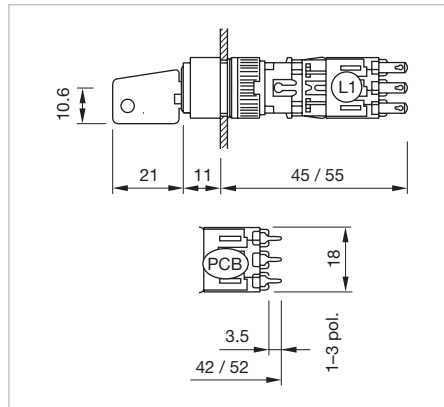
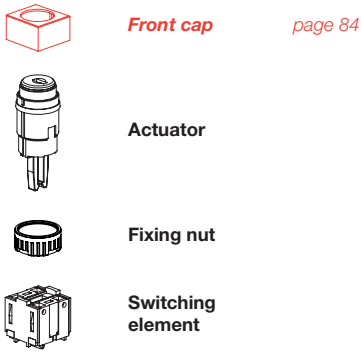
Product attribute	Front protection	Switching system	Behind panel depth	Contacts	Terminal	Part No.	Wiring diagram	Weight
 <p>Stop switch, Front dimension Ø 24 mm</p>								
Key to unlock clockwise	IP 40	Slow-make switching element	55 mm	1 NC	Solder 2.8 x 0.5 mm	961F2401-00	1	0.030 kg
				2 NC	Solder 2.8 x 0.5 mm	962F2401-00	2	0.031 kg
				3 NC	Solder 2.8 x 0.5 mm	963F2401-00	3	0.032 kg
 <p>Stop switch, Front dimension Ø 24 mm</p>								
Key to unlock clockwise	IP 65	Slow-make switching element	55 mm	1 NC	Solder 2.8 x 0.5 mm	961F2401-W0	1	0.030 kg
				2 NC	Solder 2.8 x 0.5 mm	962F2401-W0	2	0.031 kg
				3 NC	Solder 2.8 x 0.5 mm	963F2401-W0	3	0.032 kg
 <p>Stop switch, Front dimension Ø 27 mm</p>								
Key to unlock clockwise, position indication ring black	IP 65	Slow-make switching element	41 mm	2 NC	Solder 2.8 x 0.5 mm	562-8101-W0	2	0.047 kg

Contacts: NC = Normally closed
The component layouts you will find from page 107



Keylock switch 2 positions square 24 x 24 mm

Equipment consisting of (schematic overview)

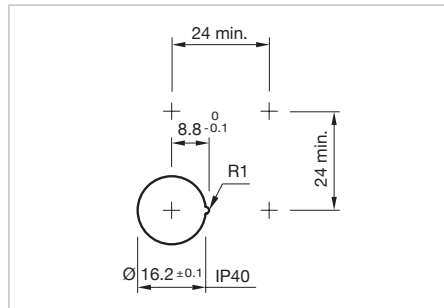


Product can differ from the current configuration.

Each Part Number listed below includes all the black components shown in the 3D-drawing.

To obtain a complete unit, please select the red components from the pages shown.

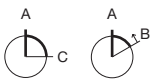
Dimensions [mm]
L1 = Solder terminal 2.8 x 0.5 mm,
PCB = Print terminal




Mounting cut-outs [mm]

Additional Information

- Standard lock B2 300
- Further lock numbers see «Technical data»
- With IP 65 no anti-rotation device can be placed within the mounting cut-out. For rear-side mounting of the anti-rotation device, please see chapter «Accessories», Part No. 260-0020-00 or 260-0021-00



Switching positions (A = Rest, B = Momentary, C = Maintained)

Front protection	Switching system	Behind panel depth	Contacts	Switching action	Switching angle	Key remove	Terminal	Part No.	Component layout	Wiring diagram	Weight				
 <p>Keylock switch actuator 2 positions square, Front dimension 24 x 24 mm</p>	Snap-action switching element	42 mm	1 NC + 1 NO	A - C	C = 90°	A + C	PCB	761F.401-OP	1	1	0.022 kg				
				A - C	C = 90°	A	PCB	771F.401-OP	1	1	0.022 kg				
				A - B	B = 60°	A	PCB	781F.401-OP	1	2	0.022 kg				
			45 mm	1 NC + 1 NO	A - C	C = 90°	A + C	Solder 2.8 x 0.5 mm	761F.401-00	1	0.022 kg				
					A - C	C = 90°	A	Solder 2.8 x 0.5 mm	771F.401-00	1	0.022 kg				
					A - B	B = 60°	A	Solder 2.8 x 0.5 mm	781F.401-00	2	0.022 kg				
		45 mm	2 NC + 2 NO	A - C	C = 90°	A + C	Solder 2.8 x 0.5 mm	762F.401-00	3	0.023 kg					
				A - C	C = 90°	A	Solder 2.8 x 0.5 mm	772F.401-00	3	0.023 kg					
				A - B	B = 60°	A	Solder 2.8 x 0.5 mm	782F.401-00	4	0.023 kg					
				IP 65	Snap-action switching element	42 mm	1 NC + 1 NO	A - C	C = 90°	A + C	PCB	761F.401-WP	1	1	0.022 kg
								A - C	C = 90°	A	PCB	771F.401-WP	1	1	0.022 kg
		A - B	B = 60°	A	PCB			781F.401-WP	1	2	0.022 kg				
		45 mm	1 NC + 1 NO	A - C	C = 90°		A + C	Solder 2.8 x 0.5 mm	761F.401-WO	1	0.022 kg				
				A - C	C = 90°		A	Solder 2.8 x 0.5 mm	771F.401-WO	1	0.022 kg				

55 Raised design

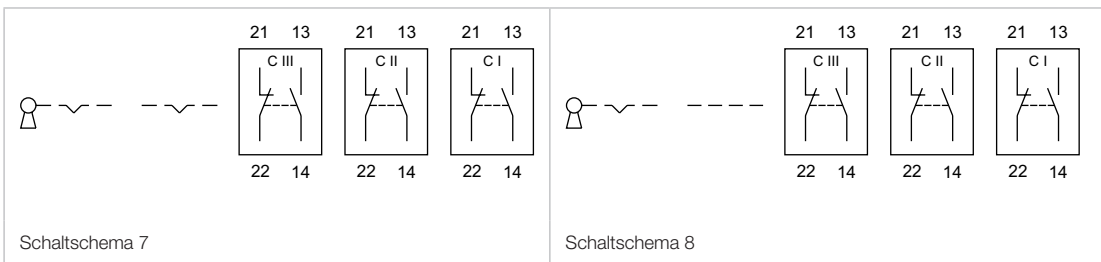
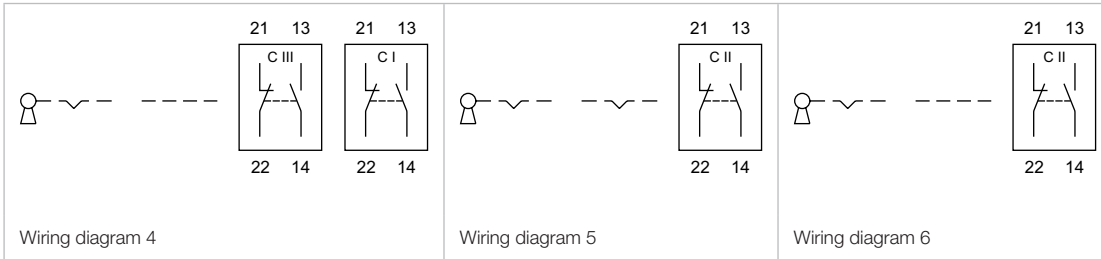
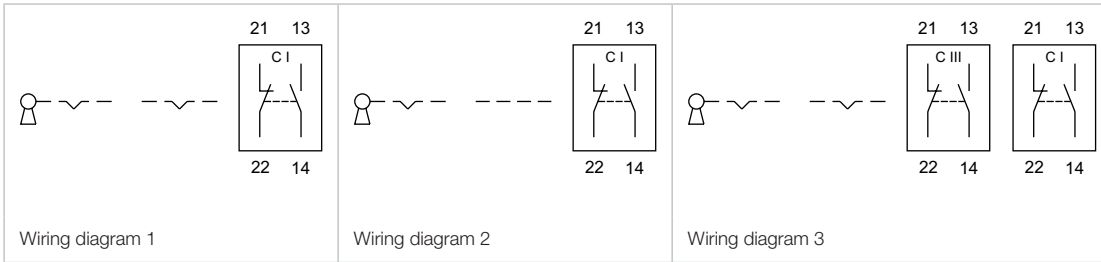
Front protection	Switching system	Behind panel depth	Contacts	Switching action	Switching angle	Key remove	Terminal	Part No.	Component layout	Wiring diagram	Weight
IP 65	Snap-action switching element	45 mm	1 NC + 1 NO	A - B	B = 60°	A	Solder 2.8 x 0.5 mm	781F.401-W0		2	0.022 kg
			2 NC + 2 NO	A - C	C = 90°	A + C	Solder 2.8 x 0.5 mm	762F.401-W0		3	0.023 kg
				A - C	C = 90°	A	Solder 2.8 x 0.5 mm	772F.401-W0		3	0.023 kg
				A - B	B = 60°	A	Solder 2.8 x 0.5 mm	782F.401-W0		4	0.023 kg



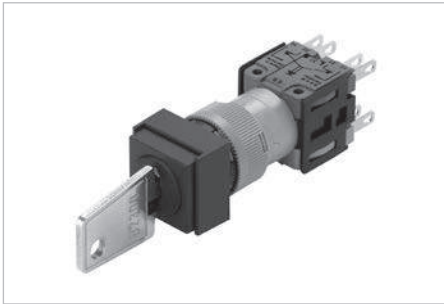
Keylock switch actuator 2 positions square, Front dimension 24 x 24 mm

IP 40	Snap-action switching element	52 mm	1 NC + 1 NO	A - C	C = 90°	A + C	PCB	911F.401-0P	1	5	0.024 kg	
				A - C	C = 90°	A	PCB	921F.401-0P	1	5	0.024 kg	
				A - B	B = 60°	A	PCB	931F.401-0P	1	6	0.024 kg	
			2 NC + 2 NO	A - C	C = 90°	A + C	PCB	912F.401-0P	1	3	0.025 kg	
				A - B	B = 60°	A	PCB	932F.401-0P	1	4	0.025 kg	
				3 NC + 3 NO	A - C	C = 90°	A	PCB	923F.401-0P	1	7	0.026 kg
			1 NC + 1 NO	A - C	C = 90°	A + C	Solder 2.8 x 0.5 mm	911F.401-00		5	0.024 kg	
			55 mm	1 NC + 1 NO	A - C	C = 90°	A	Solder 2.8 x 0.5 mm	921F.401-00		5	0.024 kg
					A - B	B = 60°	A	Solder 2.8 x 0.5 mm	931F.401-00		6	0.024 kg
		2 NC + 2 NO		A - C	C = 90°	A + C	Solder 2.8 x 0.5 mm	912F.401-00		3	0.025 kg	
				A - C	C = 90°	A	Solder 2.8 x 0.5 mm	922F.401-00		3	0.025 kg	
				A - B	B = 60°	A	Solder 2.8 x 0.5 mm	932F.401-00		4	0.025 kg	
		3 NC + 3 NO		A - C	C = 90°	A + C	Solder 2.8 x 0.5 mm	913F.401-00		7	0.027 kg	
			A - C	C = 90°	A	Solder 2.8 x 0.5 mm	923F.401-00		7	0.027 kg		
			A - B	B = 60°	A	Solder 2.8 x 0.5 mm	933F.401-00		8	0.027 kg		
IP 65	Snap-action switching element	52 mm	1 NC + 1 NO	A - C	C = 90°	A	PCB	921F.401-WP	1	5	0.024 kg	
				A - B	B = 60°	A	PCB	931F.401-WP	1	6	0.024 kg	
			3 NC + 3 NO	A - C	C = 90°	A	PCB	923F.401-WP	1	7	0.026 kg	
				A - B	B = 60°	A	PCB	933F.401-WP	1	8	0.026 kg	
			55 mm	1 NC + 1 NO	A - C	C = 90°	A + C	Solder 2.8 x 0.5 mm	911F.401-W0		5	0.024 kg
					2 NC + 2 NO	A - C	C = 90°	A + C	Solder 2.8 x 0.5 mm	912F.401-W0		3
		A - C		C = 90°		A	Solder 2.8 x 0.5 mm	922F.401-W0		3	0.025 kg	
		A - B		B = 60°		A	Solder 2.8 x 0.5 mm	932F.401-W0		4	0.025 kg	
		3 NC + 3 NO		A - C	C = 90°	A + C	Solder 2.8 x 0.5 mm	913F.401-W0		7	0.027 kg	
				A - C	C = 90°	A	Solder 2.8 x 0.5 mm	923F.401-W0		7	0.027 kg	
			A - B	B = 60°	A	Solder 2.8 x 0.5 mm	933F.401-W0		8	0.027 kg		

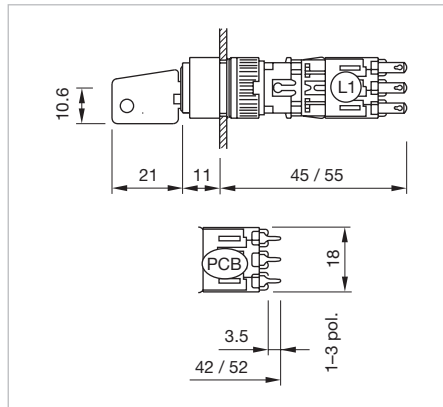
Contacts: NC = Normally closed, NO = Normally open
 Switching action: A = Rest, B = Momentary, C = Maintained
 The component layouts you will find from page 107



Keylock switch 2 positions square 18 x 18 mm

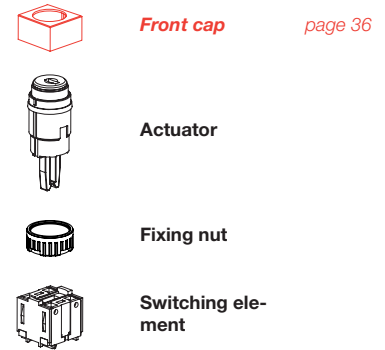


Product can differ from the current configuration.



Dimensions [mm]
L1 = Solder terminal 2.8 x 0.5 mm,
PCB = Print terminal

Equipment consisting of (schematic overview)

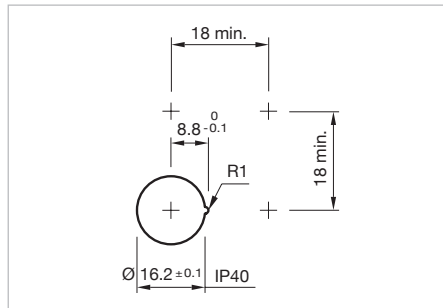


Each Part Number listed below includes all the black components shown in the 3D-drawing.

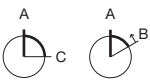
To obtain a complete unit, please select the red components from the pages shown.

Additional Information

- For the flush design please order the additional front bezel set, see chapter «Accessories»
- Standard lock B2 300
- Further lock numbers see «Technical data»
- With IP 65 no anti-rotation device can be placed within the mounting cut-out. For rear-side mounting of the anti-rotation device, please see chapter «Accessories», Part No. 260-0020-00 or 260-0021-00



Mounting cut-outs [mm]



Switching positions (A = Rest, B = Momentary, C = Maintained)

Front protection	Switching system	Behind panel depth	Contacts	Switching action	Switching angle	Key remove	Terminal	Part No.	Component layout	Wiring diagram	Weight		
	Snap-action switching element	42 mm	1 NC + 1 NO	A - C	C = 90°	A + C	PCB	761F.401-OP	1	1	0.022 kg		
				A - C	C = 90°	A	PCB	771F.401-OP	1	1	0.022 kg		
				A - B	B = 60°	A	PCB	781F.401-OP	1	2	0.022 kg		
			2 NC + 2 NO	A - C	C = 90°	A + C	PCB	762F.401-OP	1	3	0.023 kg		
				45 mm	1 NC + 1 NO	A - C	C = 90°	A + C	Solder 2.8 x 0.5 mm	761F.401-00	1	0.022 kg	
						A - C	C = 90°	A	Solder 2.8 x 0.5 mm	771F.401-00	1	0.022 kg	
		A - B	B = 60°			A	Solder 2.8 x 0.5 mm	781F.401-00	2	0.022 kg			
		2 NC + 2 NO	A - C		C = 90°	A + C	Solder 2.8 x 0.5 mm	762F.401-00	3	0.023 kg			
			A - C		C = 90°	A	Solder 2.8 x 0.5 mm	772F.401-00	3	0.023 kg			
			A - B		B = 60°	A	Solder 2.8 x 0.5 mm	782F.401-00	4	0.023 kg			
		IP 65	Snap-action switching element	42 mm	1 NC + 1 NO	A - C	C = 90°	A + C	PCB	761F.401-WP	1	1	0.022 kg
						A - C	C = 90°	A	PCB	771F.401-WP	1	1	0.022 kg
A - B	B = 60°					A	PCB	781F.401-WP	1	2	0.022 kg		
45 mm	1 NC + 1 NO			A - C	C = 90°	A + C	Solder 2.8 x 0.5 mm	761F.401-W0	1	0.022 kg			
				A - C	C = 90°	A	Solder 2.8 x 0.5 mm	771F.401-W0	1	0.022 kg			

Front protection	Switching system	Behind panel depth	Contacts	Switching action	Switching angle	Key remove	Terminal	Part No.	Component layout	Wiring diagram	Weight
IP 65	Snap-action switching element	45 mm	1 NC + 1 NO	A - B	B = 60°	A	Solder 2.8 x 0.5 mm	781-.401-WO		2	0.022 kg
			2 NC + 2 NO	A - C	C = 90°	A + C	Solder 2.8 x 0.5 mm	762-.401-WO		3	0.023 kg
				A - C	C = 90°	A	Solder 2.8 x 0.5 mm	772-.401-WO		3	0.023 kg
				A - B	B = 60°	A	Solder 2.8 x 0.5 mm	782-.401-WO		4	0.023 kg

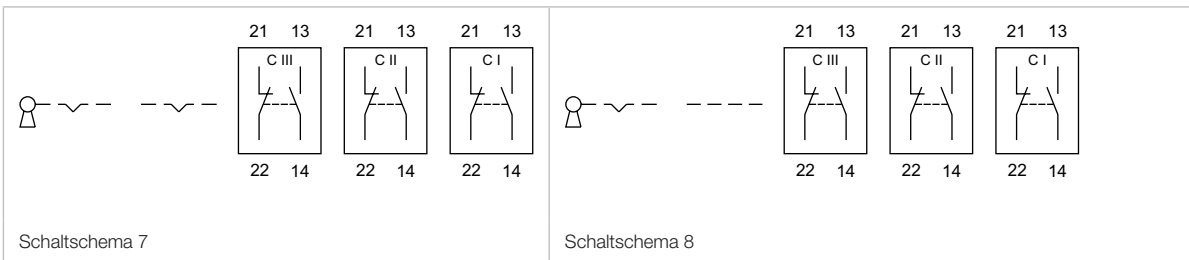
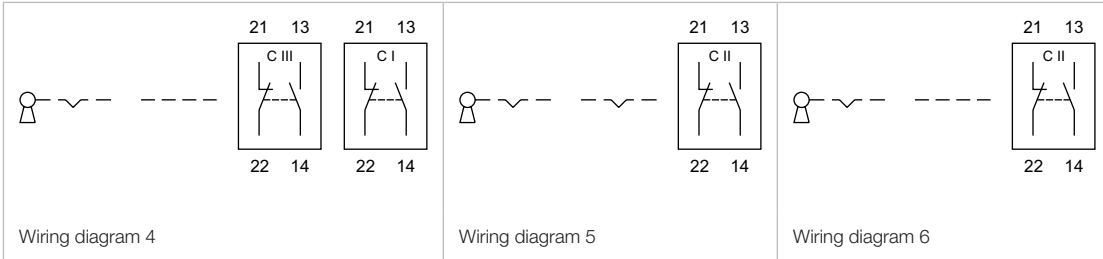
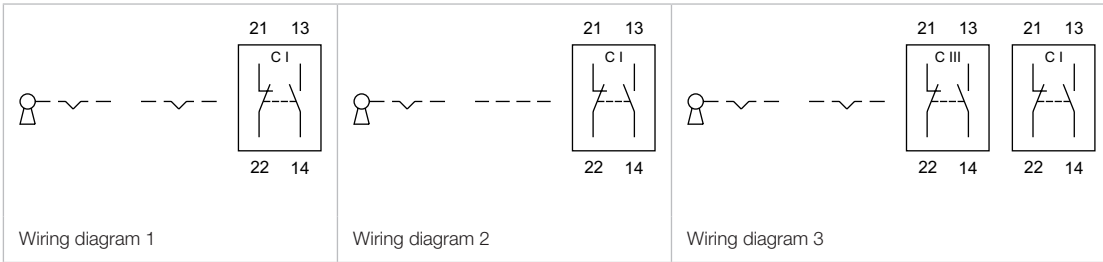


Keylock switch actuator 2 positions square, Front dimension 18 x 18 mm

IP 40	Snap-action switching element	52 mm	1 NC + 1 NO	A - C	C = 90°	A + C	PCB	911F.401-OP	1	5	0.024 kg	
				A - C	C = 90°	A	PCB	921F.401-OP	1	5	0.024 kg	
				A - B	B = 60°	A	PCB	931F.401-OP	1	6	0.024 kg	
			2 NC + 2 NO	A - C	C = 90°	A + C	PCB	912F.401-OP	1	3	0.025 kg	
				A - B	B = 60°	A	PCB	932F.401-OP	1	4	0.025 kg	
				3 NC + 3 NO	A - C	C = 90°	A	PCB	923F.401-OP	1	7	0.026 kg
			55 mm	1 NC + 1 NO	A - C	C = 90°	A + C	Solder 2.8 x 0.5 mm	911F.401-00		5	0.024 kg
					A - C	C = 90°	A	Solder 2.8 x 0.5 mm	921F.401-00		5	0.024 kg
					A - B	B = 60°	A	Solder 2.8 x 0.5 mm	931F.401-00		6	0.024 kg
		2 NC + 2 NO		A - C	C = 90°	A + C	Solder 2.8 x 0.5 mm	912F.401-00		3	0.025 kg	
				A - C	C = 90°	A	Solder 2.8 x 0.5 mm	922F.401-00		3	0.025 kg	
				A - B	B = 60°	A	Solder 2.8 x 0.5 mm	932F.401-00		4	0.025 kg	
		3 NC + 3 NO	A - C	C = 90°	A + C	Solder 2.8 x 0.5 mm	913F.401-00		7	0.027 kg		
			A - C	C = 90°	A	Solder 2.8 x 0.5 mm	923F.401-00		7	0.027 kg		
			A - B	B = 60°	A	Solder 2.8 x 0.5 mm	933F.401-00		8	0.027 kg		
IP 65	Snap-action switching element	52 mm	1 NC + 1 NO	A - C	C = 90°	A	PCB	921F.401-WP	1	5	0.024 kg	
				A - B	B = 60°	A	PCB	931F.401-WP	1	6	0.024 kg	
			3 NC + 3 NO	A - C	C = 90°	A	PCB	923F.401-WP	1	7	0.026 kg	
				A - B	B = 60°	A	PCB	933F.401-WP	1	8	0.026 kg	
			55 mm	1 NC + 1 NO	A - C	C = 90°	A + C	Solder 2.8 x 0.5 mm	911F.401-WO		5	0.024 kg
					2 NC + 2 NO	A - C	C = 90°	A + C	Solder 2.8 x 0.5 mm	912F.401-WO		3
		A - C				C = 90°	A	Solder 2.8 x 0.5 mm	922F.401-WO		3	0.025 kg
		3 NC + 3 NO		A - B	B = 60°	A	Solder 2.8 x 0.5 mm	932F.401-WO		4	0.025 kg	
				A - C	C = 90°	A + C	Solder 2.8 x 0.5 mm	913F.401-WO		7	0.027 kg	
				A - C	C = 90°	A	Solder 2.8 x 0.5 mm	923F.401-WO		7	0.027 kg	
		A - B	B = 60°	A	Solder 2.8 x 0.5 mm	933F.401-WO		8	0.027 kg			

Contacts: NC = Normally closed, NO = Normally open
 Switching action: A = Rest, B = Momentary, C = Maintained
 The component layouts you will find from page 107

55 Raised design

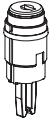


Keylock switch 2 positions rectangular 18 x 24 mm

Equipment consisting of (schematic overview)



Front cap page 84



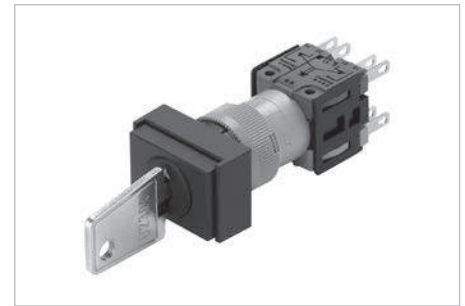
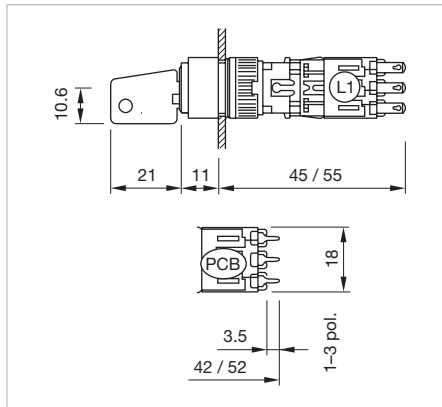
Actuator



Fixing nut



Switching element

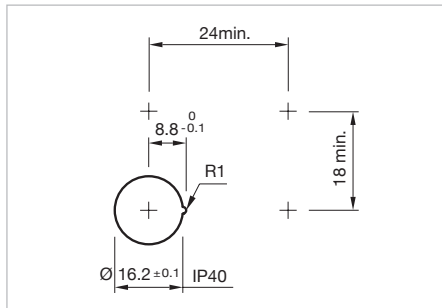


Product can differ from the current configuration.

Each Part Number listed below includes all the black components shown in the 3D-drawing.

To obtain a complete unit, please select the red components from the pages shown.

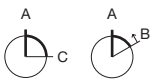
Dimensions [mm]
L1 = Solder terminal 2.8 x 0.5 mm,
PCB = Print terminal




Mounting cut-outs [mm]

Additional Information

- For the flush design please order the additional front bezel set, see chapter «Accessories»
- Standard lock B2 300
- Further lock numbers see «Technical data»
- With IP 65 no anti-rotation device can be placed within the mounting cut-out. For rear-side mounting of the anti-rotation device, please see chapter «Accessories», Part No. 260-0020-00 or 260-0021-00



Switching positions (A = Rest, B = Momentary, C = Maintained)

Front protection	Switching system	Behind panel depth	Contacts	Switching action	Switching angle	Key remove	Terminal	Part No.	Component layout	Wiring diagram	Weight		
	Snap-action switching element	42 mm	1 NC + 1 NO	A - C	C = 90°	A + C	PCB	761F.401-OP	1	1	0.022 kg		
				A - C	C = 90°	A	PCB	771F.401-OP	1	1	0.022 kg		
				A - B	B = 60°	A	PCB	781F.401-OP	1	2	0.022 kg		
			2 NC + 2 NO	A - C	C = 90°	A + C	PCB	762F.401-OP	1	3	0.023 kg		
				45 mm	1 NC + 1 NO	A - C	C = 90°	A + C	Solder 2.8 x 0.5 mm	761F.401-00	1	0.022 kg	
						A - C	C = 90°	A	Solder 2.8 x 0.5 mm	771F.401-00	1	0.022 kg	
		A - B	B = 60°			A	Solder 2.8 x 0.5 mm	781F.401-00	2	0.022 kg			
		2 NC + 2 NO	A - C	C = 90°	A + C	Solder 2.8 x 0.5 mm	762F.401-00	3	0.023 kg				
			A - C	C = 90°	A	Solder 2.8 x 0.5 mm	772F.401-00	3	0.023 kg				
			A - B	B = 60°	A	Solder 2.8 x 0.5 mm	782F.401-00	4	0.023 kg				
		IP 65	Snap-action switching element	42 mm	1 NC + 1 NO	A - C	C = 90°	A + C	PCB	761F.401-WP	1	1	0.022 kg
						A - C	C = 90°	A	PCB	771F.401-WP	1	1	0.022 kg
A - B	B = 60°					A	PCB	781F.401-WP	1	2	0.022 kg		
45 mm	1 NC + 1 NO			A - C	C = 90°	A + C	Solder 2.8 x 0.5 mm	761F.401-WO	1	0.022 kg			
				A - C	C = 90°	A	Solder 2.8 x 0.5 mm	771F.401-WO	1	0.022 kg			

55 Raised design

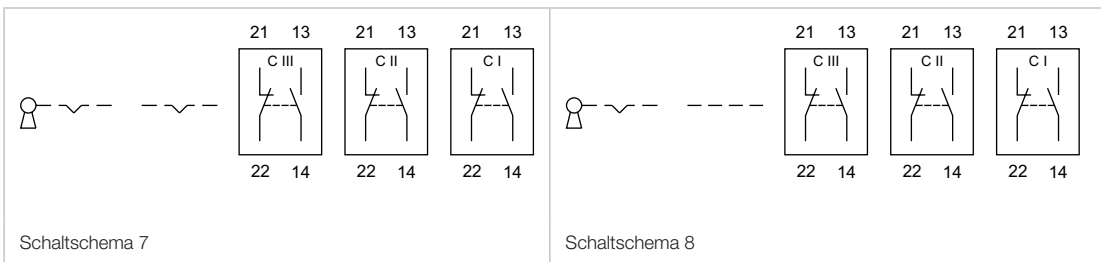
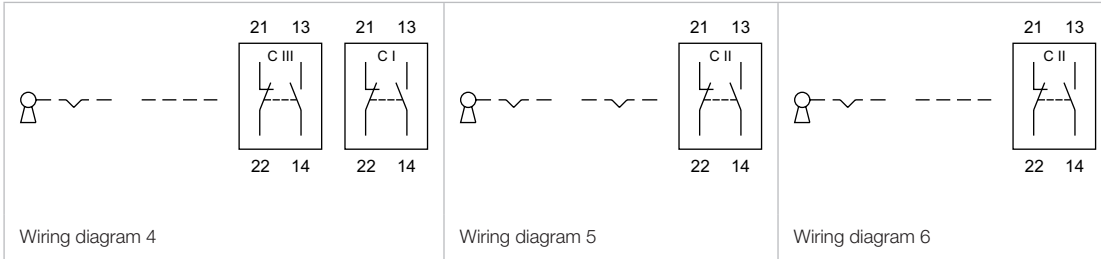
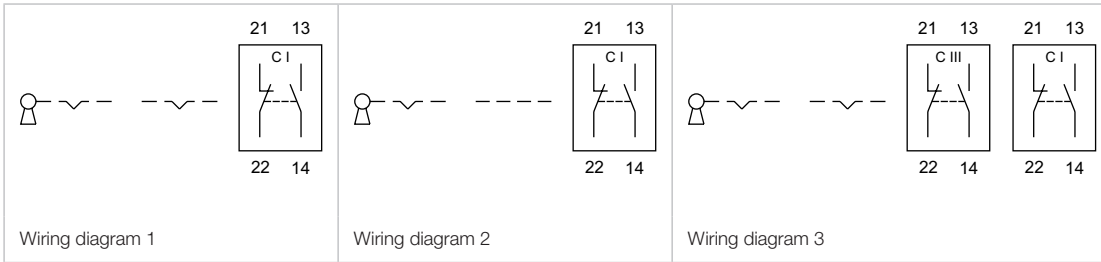
Front protection	Switching system	Behind panel depth	Contacts	Switching action	Switching angle	Key remove	Terminal	Part No.	Component layout	Wiring diagram	Weight
IP 65	Snap-action switching element	45 mm	1 NC + 1 NO	A - B	B = 60°	A	Solder 2.8 x 0.5 mm	781F.401-W0		2	0.022 kg
			2 NC + 2 NO	A - C	C = 90°	A + C	Solder 2.8 x 0.5 mm	762F.401-W0		3	0.023 kg
				A - C	C = 90°	A	Solder 2.8 x 0.5 mm	772F.401-W0		3	0.023 kg
				A - B	B = 60°	A	Solder 2.8 x 0.5 mm	782F.401-W0		4	0.023 kg



Keylock switch actuator 2 positions rectangular, Front dimension 18 x 24 mm

IP 40	Snap-action switching element	52 mm	1 NC + 1 NO	A - C	C = 90°	A + C	PCB	911F.401-0P	1	5	0.024 kg	
				A - C	C = 90°	A	PCB	921F.401-0P	1	5	0.024 kg	
				A - B	B = 60°	A	PCB	931F.401-0P	1	6	0.024 kg	
			2 NC + 2 NO	A - C	C = 90°	A + C	PCB	912F.401-0P	1	3	0.025 kg	
				A - B	B = 60°	A	PCB	932F.401-0P	1	4	0.025 kg	
				3 NC + 3 NO	A - C	C = 90°	A	PCB	923F.401-0P	1	7	0.026 kg
		55 mm	1 NC + 1 NO	A - C	C = 90°	A + C	Solder 2.8 x 0.5 mm	911F.401-00		5	0.024 kg	
				A - C	C = 90°	A	Solder 2.8 x 0.5 mm	921F.401-00		5	0.024 kg	
				A - B	B = 60°	A	Solder 2.8 x 0.5 mm	931F.401-00		6	0.024 kg	
			2 NC + 2 NO	A - C	C = 90°	A + C	Solder 2.8 x 0.5 mm	912F.401-00		3	0.025 kg	
				A - C	C = 90°	A	Solder 2.8 x 0.5 mm	922F.401-00		3	0.025 kg	
				A - B	B = 60°	A	Solder 2.8 x 0.5 mm	932F.401-00		4	0.025 kg	
3 NC + 3 NO	A - C	C = 90°	A + C	Solder 2.8 x 0.5 mm	913F.401-00		7	0.027 kg				
	A - C	C = 90°	A	Solder 2.8 x 0.5 mm	923F.401-00		7	0.027 kg				
	A - B	B = 60°	A	Solder 2.8 x 0.5 mm	933F.401-00		8	0.027 kg				
IP 65	Snap-action switching element	52 mm	1 NC + 1 NO	A - C	C = 90°	A	PCB	921F.401-WP	1	5	0.024 kg	
				A - B	B = 60°	A	PCB	931F.401-WP	1	6	0.024 kg	
			3 NC + 3 NO	A - C	C = 90°	A	PCB	923F.401-WP	1	7	0.026 kg	
				A - B	B = 60°	A	PCB	933F.401-WP	1	8	0.026 kg	
			55 mm	1 NC + 1 NO	A - C	C = 90°	A + C	Solder 2.8 x 0.5 mm	911F.401-W0		5	0.024 kg
					2 NC + 2 NO	A - C	C = 90°	A + C	Solder 2.8 x 0.5 mm	912F.401-W0		3
		A - C				C = 90°	A	Solder 2.8 x 0.5 mm	922F.401-W0		3	0.025 kg
		3 NC + 3 NO		A - B	B = 60°	A	Solder 2.8 x 0.5 mm	932F.401-W0		4	0.025 kg	
				A - C	C = 90°	A + C	Solder 2.8 x 0.5 mm	913F.401-W0		7	0.027 kg	
				A - C	C = 90°	A	Solder 2.8 x 0.5 mm	923F.401-W0		7	0.027 kg	
		A - B	B = 60°	A	Solder 2.8 x 0.5 mm	933F.401-W0		8	0.027 kg			

Contacts: NC = Normally closed, NO = Normally open
 Switching action: A = Rest, B = Momentary, C = Maintained
 The component layouts you will find from page 107

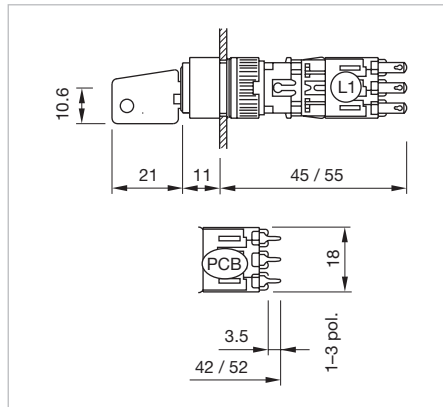


55 Raised design

Keylock switch 2 positions round Ø 24 mm

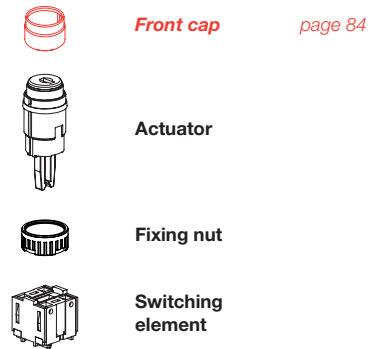


Product can differ from the current configuration.



Dimensions [mm]
L1 = Solder terminal 2.8 x 0.5 mm,
PCB = Print terminal

Equipment consisting of (schematic overview)

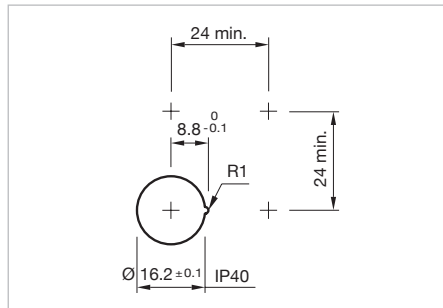


Each Part Number listed below includes all the black components shown in the 3D-drawing.

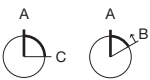
To obtain a complete unit, please select the red components from the pages shown.

Additional Information


- Standard lock B2 300
- Further lock numbers see «Technical data»
- With IP 65 no anti-rotation device can be placed within the mounting cut-out. For rear-side mounting of the anti-rotation device, please see chapter «Accessories», Part No. 260-0020-00 or 260-0021-00



Mounting cut-outs [mm]



Switching positions (A = Rest, B = Momentary, C = Maintained)

Front protection	Switching system	Behind panel depth	Contacts	Switching action	Switching angle	Key remove	Terminal	Part No.	Component layout	Wiring diagram	Weight			
	Snap-action switching element	42 mm	1 NC + 1 NO	A - C	C = 90°	A + C	PCB	761F.401-0P	1	1	0.022 kg			
			1 NC + 1 NO	A - C	C = 90°	A	PCB	771F.401-0P	1	1	0.022 kg			
			1 NC + 1 NO	A - B	B = 60°	A	PCB	781F.401-0P	1	2	0.022 kg			
			2 NC + 2 NO	A - C	C = 90°	A + C	PCB	762F.401-0P	1	3	0.023 kg			
		45 mm	1 NC + 1 NO	A - C	C = 90°	A + C	Solder 2.8 x 0.5 mm	761F.401-00		1	0.022 kg			
			1 NC + 1 NO	A - C	C = 90°	A	Solder 2.8 x 0.5 mm	771F.401-00		1	0.022 kg			
			1 NC + 1 NO	A - B	B = 60°	A	Solder 2.8 x 0.5 mm	781F.401-00		2	0.022 kg			
			2 NC + 2 NO	A - C	C = 90°	A + C	Solder 2.8 x 0.5 mm	762F.401-00		3	0.023 kg			
			2 NC + 2 NO	A - C	C = 90°	A	Solder 2.8 x 0.5 mm	772F.401-00		3	0.023 kg			
			2 NC + 2 NO	A - B	B = 60°	A	Solder 2.8 x 0.5 mm	782F.401-00		4	0.023 kg			
			IP 65	Sprungschaltelement	42 mm	1 NC + 1 NO	A - C	C = 90°	A + C	PCB	761F.401-WP	1	1	0.022 kg
						1 NC + 1 NO	A - C	C = 90°	A	PCB	771F.401-WP	1	1	0.022 kg
1 NC + 1 NO	A - B	B = 60°				A	PCB	781F.401-WP	1	2	0.022 kg			
45 mm	1 NC + 1 NO	A - C			C = 90°	A + C	Solder 2.8 x 0.5 mm	761F.401-W0		1	0.022 kg			
	1 NC + 1 NO	A - C			C = 90°	A	Solder 2.8 x 0.5 mm	771F.401-W0		1	0.022 kg			

Front protection	Switching system	Behind panel depth	Contacts	Switching action	Switching angle	Key remove	Terminal	Part No.	Component layout	Wiring diagram	Weight
IP 65	Snap-action switching element	45 mm	1 NC + 1 NO	A - B	B = 60°	A	Solder 2.8 x 0.5 mm	781-.401-WO		2	0.022 kg
			2 NC + 2 NO	A - C	C = 90°	A + C	Solder 2.8 x 0.5 mm	762-.401-WO		3	0.023 kg
				A - C	C = 90°	A	Solder 2.8 x 0.5 mm	772-.401-WO		3	0.023 kg
				A - B	B = 60°	A	Solder 2.8 x 0.5 mm	782-.401-WO		4	0.023 kg

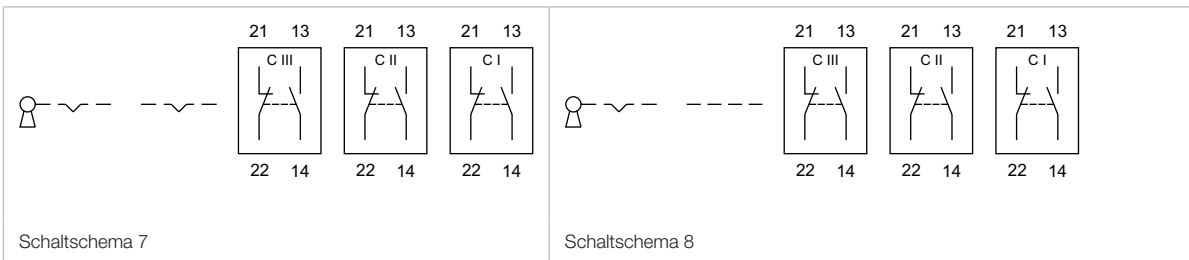
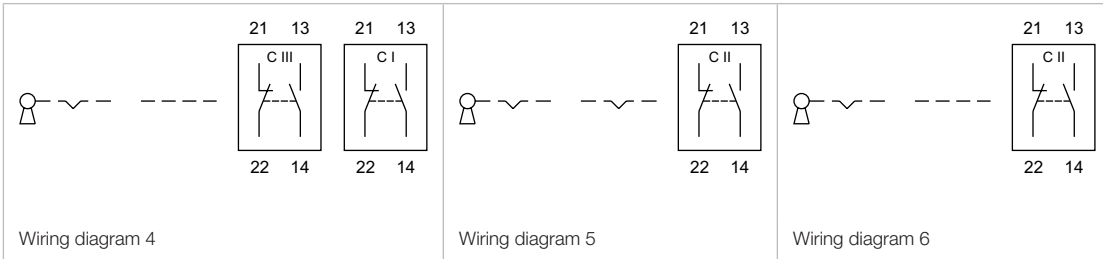
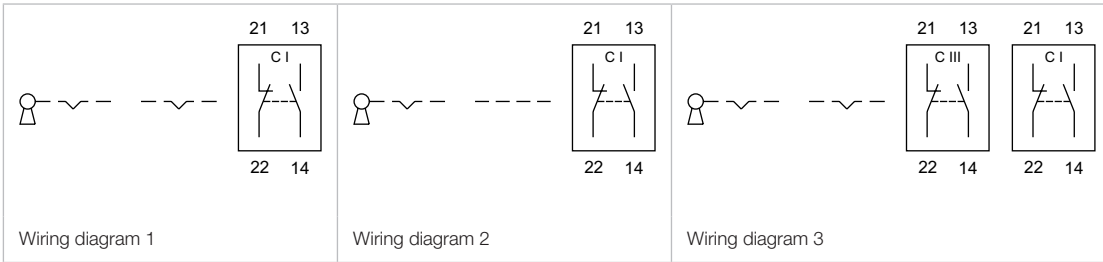


Keylock switch actuator 2 positions round, Front dimension Ø 24 mm

IP 40	Snap-action switching element	52 mm	1 NC + 1 NO	A - C	C = 90°	A + C	PCB	911F.401-OP	1	5	0.024 kg	
				A - C	C = 90°	A	PCB	921F.401-OP	1	5	0.024 kg	
				A - B	B = 60°	A	PCB	931F.401-OP	1	6	0.024 kg	
			2 NC + 2 NO	A - C	C = 90°	A + C	PCB	912F.401-OP	1	3	0.025 kg	
				A - B	B = 60°	A	PCB	932F.401-OP	1	4	0.025 kg	
				A - C	C = 90°	A	PCB	923F.401-OP	1	7	0.026 kg	
			55 mm	1 NC + 1 NO	A - C	C = 90°	A + C	Solder 2.8 x 0.5 mm	911F.401-00		5	0.024 kg
					A - C	C = 90°	A	Solder 2.8 x 0.5 mm	921F.401-00		5	0.024 kg
					A - B	B = 60°	A	Solder 2.8 x 0.5 mm	931F.401-00		6	0.024 kg
		2 NC + 2 NO		A - C	C = 90°	A + C	Solder 2.8 x 0.5 mm	912F.401-00		3	0.025 kg	
				A - C	C = 90°	A	Solder 2.8 x 0.5 mm	922F.401-00		3	0.025 kg	
				A - B	B = 60°	A	Solder 2.8 x 0.5 mm	932F.401-00		4	0.025 kg	
		3 NC + 3 NO	A - C	C = 90°	A + C	Solder 2.8 x 0.5 mm	913F.401-00		7	0.027 kg		
			A - C	C = 90°	A	Solder 2.8 x 0.5 mm	923F.401-00		7	0.027 kg		
			A - B	B = 60°	A	Solder 2.8 x 0.5 mm	933F.401-00		8	0.027 kg		
IP 65	Snap-action switching element	52 mm	1 NC + 1 NO	A - C	C = 90°	A	PCB	921F.401-WP	1	5	0.024 kg	
				A - B	B = 60°	A	PCB	931F.401-WP	1	6	0.024 kg	
			3 NC + 3 NO	A - C	C = 90°	A	PCB	923F.401-WP	1	7	0.026 kg	
				A - B	B = 60°	A	PCB	933F.401-WP	1	8	0.026 kg	
			55 mm	1 NC + 1 NO	A - C	C = 90°	A + C	Solder 2.8 x 0.5 mm	911F.401-WO		5	0.024 kg
					A - C	C = 90°	A + C	Solder 2.8 x 0.5 mm	912F.401-WO		3	0.025 kg
		2 NC + 2 NO		A - C	C = 90°	A	Solder 2.8 x 0.5 mm	922F.401-WO		3	0.025 kg	
				A - B	B = 60°	A	Solder 2.8 x 0.5 mm	932F.401-WO		4	0.025 kg	
		3 NC + 3 NO		A - C	C = 90°	A + C	Solder 2.8 x 0.5 mm	913F.401-WO		7	0.027 kg	
				A - C	C = 90°	A	Solder 2.8 x 0.5 mm	923F.401-WO		7	0.027 kg	
					A - B	B = 60°	A	Solder 2.8 x 0.5 mm	933F.401-WO		8	0.027 kg

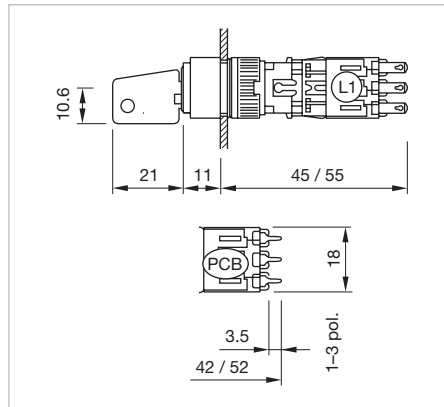
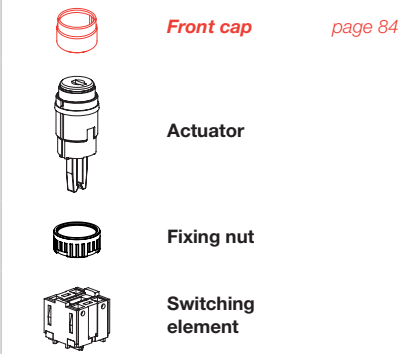
Contacts: NC = Normally closed, NO = Normally open
 Switching action: A = Rest, B = Momentary, C = Maintained
 The component layouts you will find from page 107

55 Raised design



Keylock switch 2 positions round Ø 18 mm

Equipment consisting of (schematic overview)

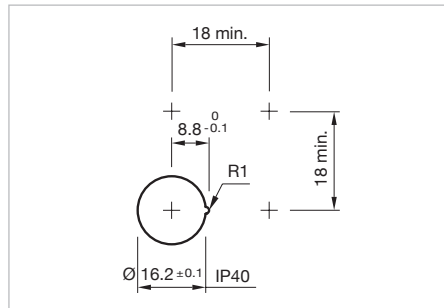


Product can differ from the current configuration.

Each Part Number listed below includes all the black components shown in the 3D-drawing.

To obtain a complete unit, please select the red components from the pages shown.

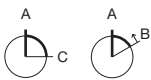
Dimensions [mm]
L1 = Solder terminal 2.8 x 0.5 mm,
PCB = Print terminal




Mounting cut-outs [mm]

Additional Information


- For the flush design please order the additional front bezel set, see chapter «Accessories»
- Standard lock B2 300
- Further lock numbers see «Technical data»
- With IP 65 no anti-rotation device can be placed within the mounting cut-out. For rear-side mounting of the anti-rotation device, please see chapter «Accessories», Part No. 260-0020-00 or 260-0021-00



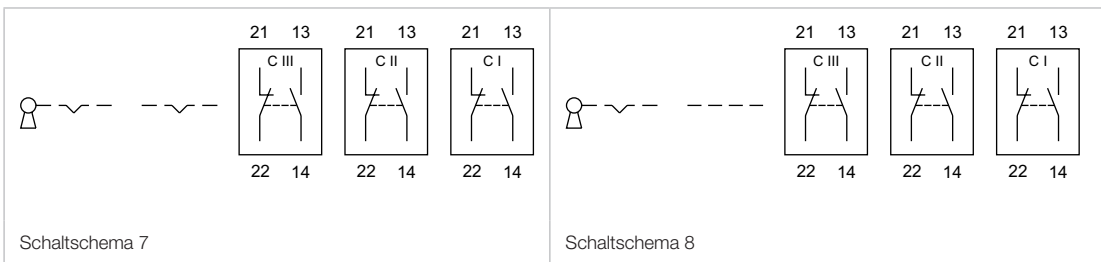
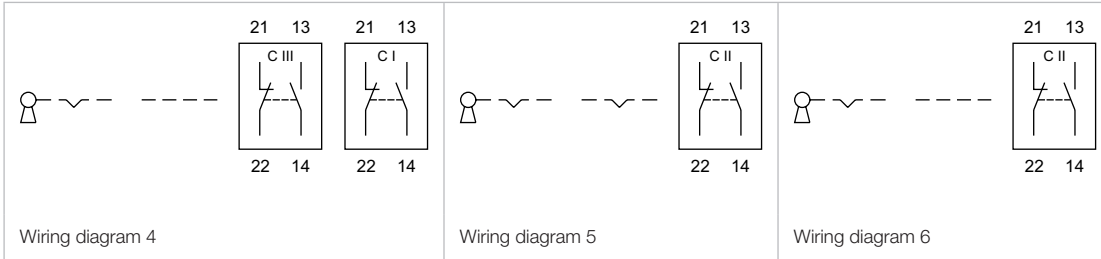
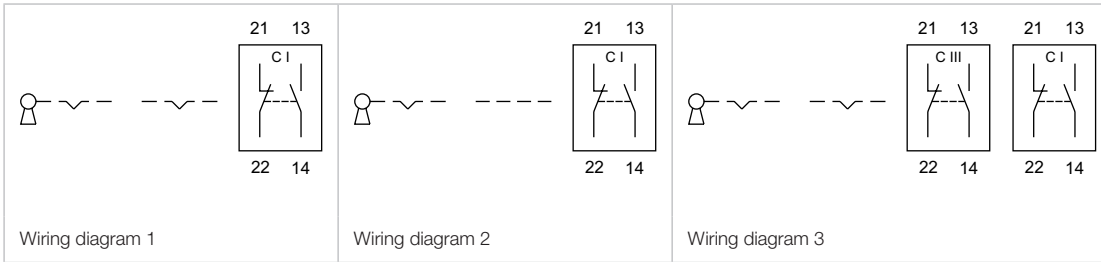
Switching positions (A = Rest, B = Momentary, C = Maintained)

Front protection	Switching system	Behind panel depth	Contacts	Switching action	Switching angle	Key remove	Terminal	Part No.	Component layout	Wiring diagram	Weight			
	Snap-action switching element	42 mm	1 NC + 1 NO	A - C	C = 90°	A + C	PCB	761F.401-OP	1	1	0.022 kg			
				A - C	C = 90°	A	PCB	771F.401-OP	1	1	0.022 kg			
				A - B	B = 60°	A	PCB	781F.401-OP	1	2	0.022 kg			
			2 NC + 2 NO	A - C	C = 90°	A + C	PCB	762F.401-OP	1	3	0.023 kg			
				45 mm	1 NC + 1 NO	A - C	C = 90°	A + C	Solder 2.8 x 0.5 mm	761F.401-00	1	0.022 kg		
						A - C	C = 90°	A	Solder 2.8 x 0.5 mm	771F.401-00	1	0.022 kg		
		A - B	B = 60°			A	Solder 2.8 x 0.5 mm	781F.401-00	2	0.022 kg				
		2 NC + 2 NO	A - C	C = 90°	A + C	Solder 2.8 x 0.5 mm	762F.401-00	3	0.023 kg					
			A - C	C = 90°	A	Solder 2.8 x 0.5 mm	772F.401-00	3	0.023 kg					
			A - B	B = 60°	A	Solder 2.8 x 0.5 mm	782F.401-00	4	0.023 kg					
			IP 65	Snap-action switching element	42 mm	1 NC + 1 NO	A - C	C = 90°	A + C	PCB	761F.401-WP	1	1	0.022 kg
							A - C	C = 90°	A	PCB	771F.401-WP	1	1	0.022 kg
A - B	B = 60°						A	PCB	781F.401-WP	1	2	0.022 kg		
A - C	C = 90°	A + C					Solder 2.8 x 0.5 mm	761F.401-WO	1	0.022 kg				
A - C	C = 90°	A					Solder 2.8 x 0.5 mm	771F.401-WO	1	0.022 kg				

55 Raised design

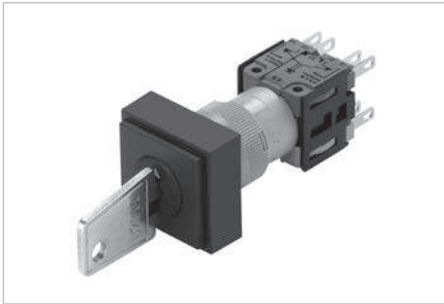
Front protection	Switching system	Behind panel depth	Contacts	Switching action	Switching angle	Key remove	Terminal	Part No.	Component layout	Wiring diagram	Weight
IP 65	Snap-action switching element	45 mm	1 NC + 1 NO	A - B	B = 60°	A	Solder 2.8 x 0.5 mm	781F.401-W0		2	0.022 kg
			2 NC + 2 NO	A - C	C = 90°	A + C	Solder 2.8 x 0.5 mm	762F.401-W0		3	0.023 kg
				A - C	C = 90°	A	Solder 2.8 x 0.5 mm	772F.401-W0		3	0.023 kg
				A - B	B = 60°	A	Solder 2.8 x 0.5 mm	782F.401-W0		4	0.023 kg
 <p>Keylock switch actuator 2 positions round, Front dimension Ø 18 mm</p>											
IP 40	Snap-action switching element	52 mm	1 NC + 1 NO	A - C	C = 90°	A	PCB	921F.401-0P	1	5	0.024 kg
				A - B	B = 60°	A	PCB	931F.401-0P	1	6	0.024 kg
			2 NC + 2 NO	A - C	C = 90°	A + C	PCB	912F.401-0P	1	3	0.025 kg
				A - C	C = 90°	A	PCB	923F.401-0P	1	7	0.026 kg
		55 mm	1 NC + 1 NO	A - C	C = 90°	A + C	Solder 2.8 x 0.5 mm	911F.401-00		5	0.024 kg
				A - C	C = 90°	A	Solder 2.8 x 0.5 mm	921F.401-00		5	0.024 kg
				A - B	B = 60°	A	Solder 2.8 x 0.5 mm	931F.401-00		6	0.024 kg
			2 NC + 2 NO	A - C	C = 90°	A + C	Solder 2.8 x 0.5 mm	912F.401-00		3	0.025 kg
				A - C	C = 90°	A	Solder 2.8 x 0.5 mm	922F.401-00		3	0.025 kg
				A - B	B = 60°	A	Solder 2.8 x 0.5 mm	932F.401-00		4	0.025 kg
			3 NC + 3 NO	A - C	C = 90°	A + C	Solder 2.8 x 0.5 mm	913F.401-00		7	0.027 kg
				A - C	C = 90°	A	Solder 2.8 x 0.5 mm	923F.401-00		7	0.027 kg
IP 65	Snap-action switching element	52 mm	1 NC + 1 NO	A - B	B = 60°	A	PCB	931F.401-WP	1	6	0.024 kg
				55 mm	1 NC + 1 NO	A - C	C = 90°	A + C	Solder 2.8 x 0.5 mm	911F.401-W0	
		2 NC + 2 NO	A - C			C = 90°	A + C	Solder 2.8 x 0.5 mm	912F.401-W0		3
			A - C		C = 90°	A	Solder 2.8 x 0.5 mm	922F.401-W0		3	0.025 kg
			A - B		B = 60°	A	Solder 2.8 x 0.5 mm	932F.401-W0		4	0.025 kg
		3 NC + 3 NO	A - C		C = 90°	A + C	Solder 2.8 x 0.5 mm	913F.401-W0		7	0.027 kg
			A - C		C = 90°	A	Solder 2.8 x 0.5 mm	923F.401-W0		7	0.027 kg
			A - B	B = 60°	A	Solder 2.8 x 0.5 mm	933F.401-W0		8	0.027 kg	

Contacts: NC = Normally closed, NO = Normally open
 Switching action: A = Rest, B = Momentary, C = Maintained
 The component layouts you will find from page 107

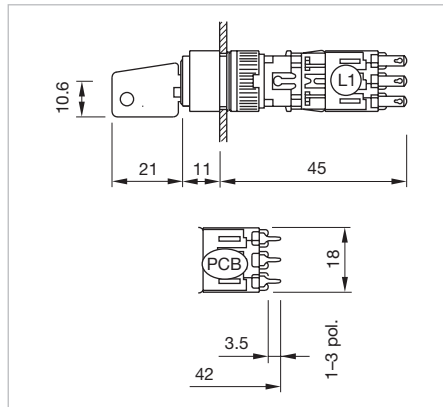


55 Raised design

Keylock switch 3 positions square 24 x 24 mm



Product can differ from the current configuration.



Dimensions [mm]
L1 = Solder terminal 2.8 x 0.5 mm,
PCB = Print terminal

Equipment consisting of (schematic overview)



Front cap page 85



Actuator



Fixing nut



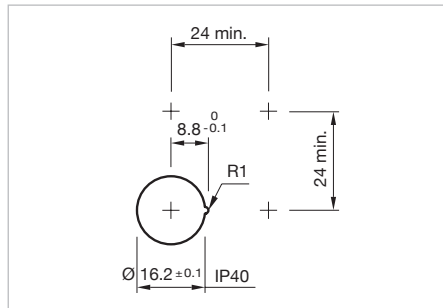
Switching element

Each Part Number listed below includes all the black components shown in the 3D-drawing.

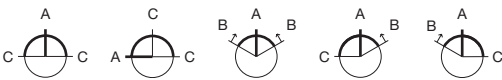
To obtain a complete unit, please select the red components from the pages shown.

Additional Information

- Standard lock B2 300
- Further lock numbers see «Technical data»
- With IP 65 no anti-rotation device can be placed within the mounting cut-out. For rear-side mounting of the anti-rotation device, please see chapter «Accessories», Part No. 260-0020-00 or 260-0021-00



Mounting cut-outs [mm]

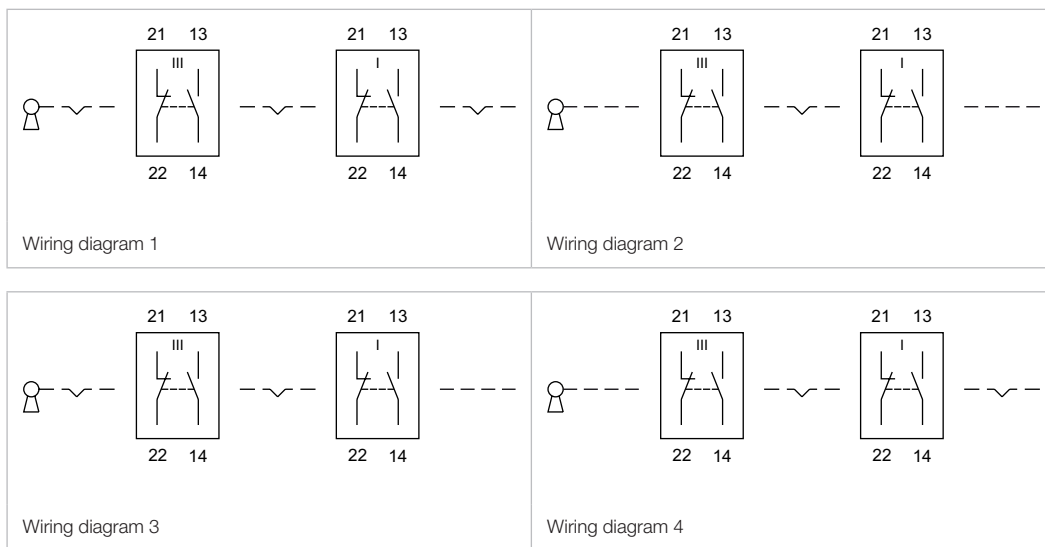


Switching positions (A = Rest, B = Momentary, C = Maintained)

Front protection	Switching system	Behind panel depth	Contacts	Switching action	Switching angle	Key remove	Terminal	Part No.	Component layout	Wiring diagram	Weight
	Snap-action switching element	42 mm	2 NC + 2 NO	C - A - C	C = 90° / 90°	C + A + C	PCB	712F.401-0P	1	1	0.023 kg
				A - C - C	C = 90° / 180°	A + C + C	PCB	722F.401-0P	1	1	0.023 kg
				B - A - B	B = 60° / 60°	A	PCB	732F.401-0P	1	2	0.023 kg
				B - A - C	B = 60°, C = 60°	A + C	PCB	752F.401-0P	1	4	0.023 kg
		45 mm	2 NC + 2 NO	C - A - C	C = 90° / 90°	C + A + C	Solder 2.8 x 0.5 mm	712F.401-00	1	0.023 kg	
				A - C - C	C = 90° / 180°	A + C + C	Solder 2.8 x 0.5 mm	722F.401-00	1	0.023 kg	
				B - A - B	B = 60° / 60°	A	Solder 2.8 x 0.5 mm	732F.401-00	2	0.023 kg	
				C - A - B	C = 60°, B = 60°	C + A	Solder 2.8 x 0.5 mm	742F.401-00	3	0.023 kg	
				B - A - C	B = 60°, C = 60°	A + C	Solder 2.8 x 0.5 mm	752F.401-00	4	0.023 kg	

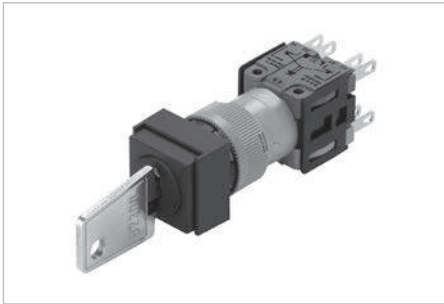
Front protection	Switching system	Behind panel depth	Contacts	Switching action	Switching angle	Key remove	Terminal	Part No.	Component layout	Wiring diagram	Weight
IP 65	Snap-action switching element	42 mm	2 NC + 2 NO	C - A - C	C = 90° / 90°	C + A + C	PCB	712F.401-WP	1	1	0.023 kg
				C - A - B	C = 60°, B = 60°	C + A	PCB	742F.401-WP	1	3	0.023 kg
		45 mm	2 NC + 2 NO	C - A - C	C = 90° / 90°	C + A + C	Solder 2.8 x 0.5 mm	712F.401-WO		1	0.023 kg
				A - C - C	C = 90° / 180°	A + C + C	Solder 2.8 x 0.5 mm	722F.401-WO		1	0.023 kg
				B - A - B	B = 60° / 60°	A	Solder 2.8 x 0.5 mm	732F.401-WO		2	0.023 kg
				C - A - B	C = 60°, B = 60°	C + A	Solder 2.8 x 0.5 mm	742F.401-WO		4	0.023 kg

Contacts: NC = Normally closed, NO = Normally open
 Switching action: A = Rest, B = Momentary, C = Maintained
 The component layouts you will find from page 107

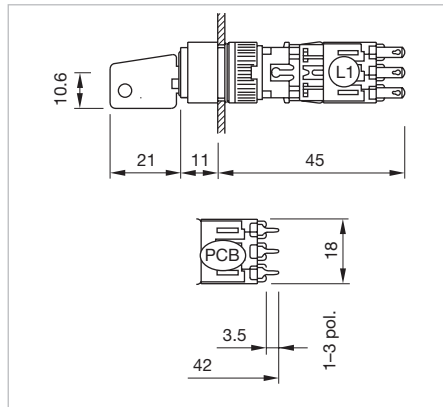


55 Raised design

Keylock switch 3 positions square 18 x 18 mm



Product can differ from the current configuration.

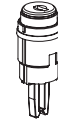


Dimensions [mm]
L1 = Solder terminal 2.8 x 0.5 mm,
PCB = Print terminal

Equipment consisting of (schematic overview)



Front cap page 85



Actuator



Fixing nut



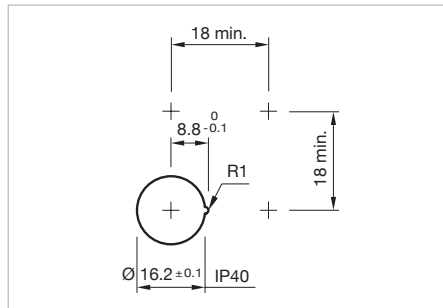
Switching element

Each Part Number listed below includes all the black components shown in the 3D-drawing.

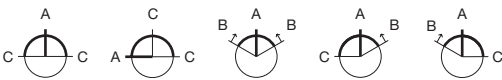
To obtain a complete unit, please select the red components from the pages shown.

Additional Information

- For the flush design please order the additional front bezel set, see chapter «Accessories»
- Standard lock B2 300
- Further lock numbers see «Technical data»
- With IP 65 no anti-rotation device can be placed within the mounting cut-out. For rear-side mounting of the anti-rotation device, please see chapter «Accessories», Part No. 260-0020-00 or 260-0021-00



Mounting cut-outs [mm]

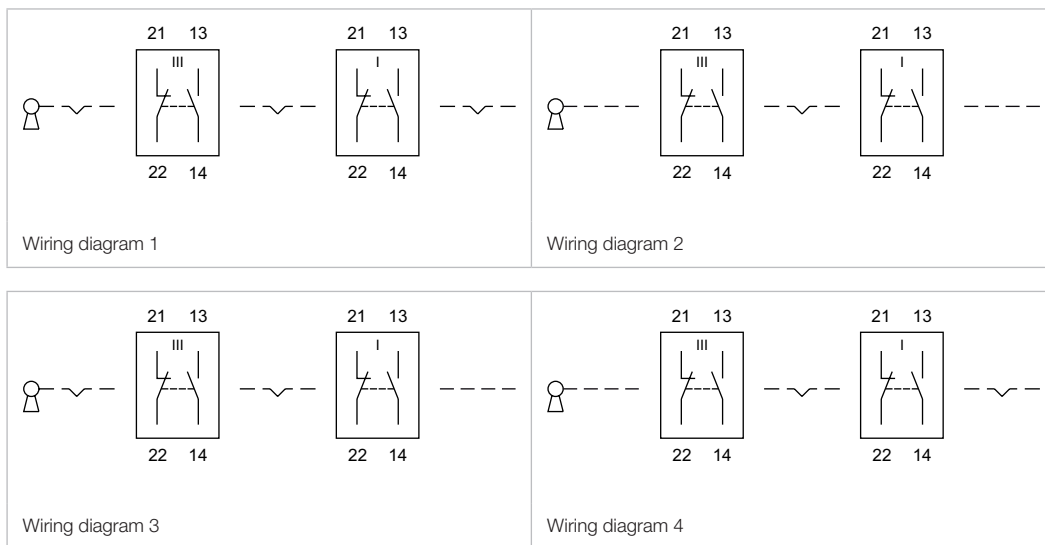


Switching positions (A = Rest, B = Momentary, C = Maintained)

Front protection	Switching system	Behind panel depth	Contacts	Switching action	Switching angle	Key remove	Terminal	Part No.	Component layout	Wiring diagram	Weight
	Snap-action switching element	42 mm	2 NC + 2 NO	C - A - C	C = 90° / 90°	C + A + C	PCB	712F.401-0P	1	1	0.023 kg
				A - C - C	C = 90° / 180°	A + C + C	PCB	722F.401-0P	1	1	0.023 kg
				B - A - B	B = 60° / 60°	A	PCB	732F.401-0P	1	2	0.023 kg
				B - A - C	B = 60°, C = 60°	A + C	PCB	752F.401-0P	1	4	0.023 kg
		45 mm	2 NC + 2 NO	C - A - C	C = 90° / 90°	C + A + C	Solder 2.8 x 0.5 mm	712F.401-00	1	0.023 kg	
				A - C - C	C = 90° / 180°	A + C + C	Solder 2.8 x 0.5 mm	722F.401-00	1	0.023 kg	
				B - A - B	B = 60° / 60°	A	Solder 2.8 x 0.5 mm	732F.401-00	2	0.023 kg	
				C - A - B	C = 60°, B = 60°	C + A	Solder 2.8 x 0.5 mm	742F.401-00	3	0.023 kg	
				B - A - C	B = 60°, C = 60°	A + C	Solder 2.8 x 0.5 mm	752F.401-00	4	0.023 kg	

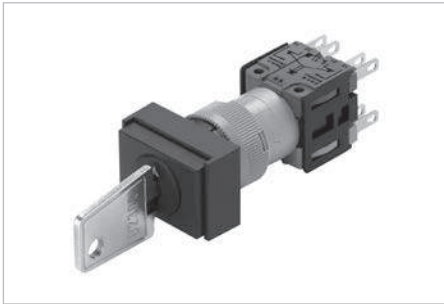
Front protection	Switching system	Behind panel depth	Contacts	Switching action	Switching angle	Key re-move	Terminal	Part No.	Component layout	Wiring diagram	Weight
IP 65	Snap-action switching element	42 mm	2 NC + 2 NO	C - A - C	C = 90° / 90°	C + A + C	PCB	712F.401-WP	1	1	0.023 kg
				C - A - B	C = 60°, B = 60°	C + A	PCB	742F.401-WP	1	3	0.023 kg
		45 mm	2 NC + 2 NO	C - A - C	C = 90° / 90°	C + A + C	Solder 2.8 x 0.5 mm	712F.401-WO		1	0.023 kg
				A - C - C	C = 90° / 180°	A + C + C	Solder 2.8 x 0.5 mm	722F.401-WO		1	0.023 kg
				B - A - B	B = 60° / 60°	A	Solder 2.8 x 0.5 mm	732F.401-WO		2	0.023 kg
				C - A - B	C = 60°, B = 60°	C + A	Solder 2.8 x 0.5 mm	742F.401-WO		3	0.023 kg

Contacts: NC = Normally closed, NO = Normally open
 Switching action: A = Rest, B = Momentary, C = Maintained
 The component layouts you will find from page 107

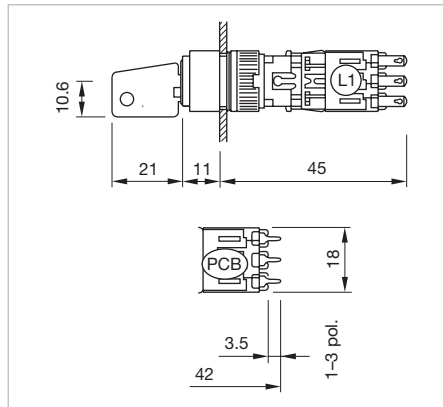


55 Raised design

Keylock switch 3 positions rectangular 18 x 24 mm

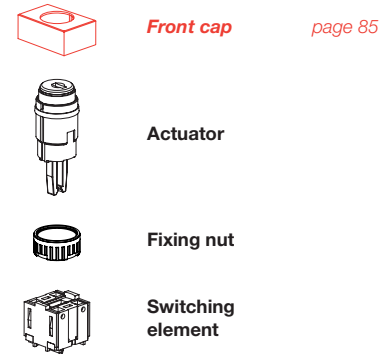


Product can differ from the current configuration.



Dimensions [mm]
L1 = Solder terminal 2.8 x 0.5 mm,
PCB = Print terminal

Equipment consisting of (schematic overview)

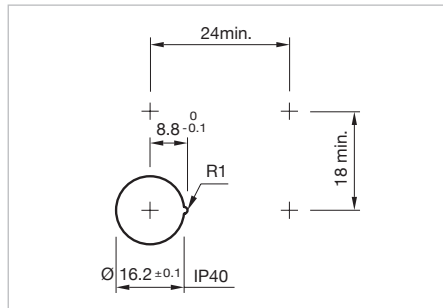


Each Part Number listed below includes all the black components shown in the 3D-drawing.

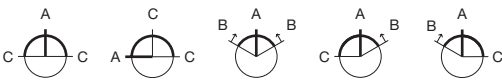
To obtain a complete unit, please select the red components from the pages shown.

Additional Information

- For the flush design please order the additional front bezel set, see chapter «Accessories»
- Standard lock B2 300
- Further lock numbers see «Technical data»
- With IP 65 no anti-rotation device can be placed within the mounting cut-out. For rear-side mounting of the anti-rotation device, please see chapter «Accessories», Part No. 260-0020-00 or 260-0021-00



Mounting cut-outs [mm]

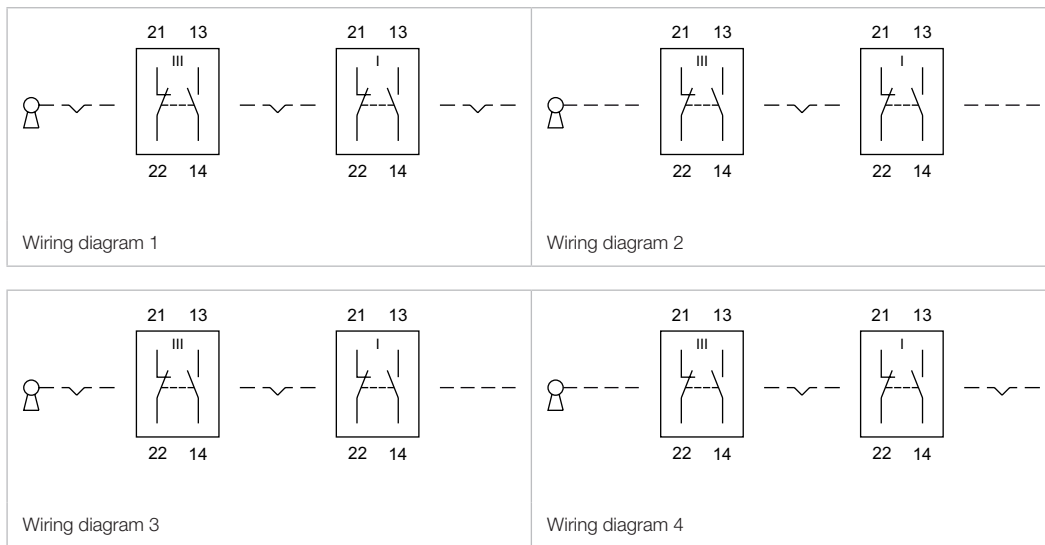


Switching positions (A = Rest, B = Momentary, C = Maintained)

Front protection	Switching system	Behind panel depth	Contacts	Switching action	Switching angle	Key remove	Terminal	Part No.	Component layout	Wiring diagram	Weight
	Snap-action switching element	42 mm	2 NC + 2 NO	C - A - C	C = 90° / 90°	C + A + C	PCB	712F.401-0P	1	1	0.023 kg
				A - C - C	C = 90° / 180°	A + C + C	PCB	722F.401-0P	1	1	0.023 kg
				B - A - B	B = 60° / 60°	A	PCB	732F.401-0P	1	2	0.023 kg
				B - A - C	B = 60°, C = 60°	A + C	PCB	752F.401-0P	1	4	0.023 kg
		45 mm	2 NC + 2 NO	C - A - C	C = 90° / 90°	C + A + C	Solder 2.8 x 0.5 mm	712F.401-00	1	0.023 kg	
				A - C - C	C = 90° / 180°	A + C + C	Solder 2.8 x 0.5 mm	722F.401-00	1	0.023 kg	
				B - A - B	B = 60° / 60°	A	Solder 2.8 x 0.5 mm	732F.401-00	2	0.023 kg	
				C - A - B	C = 60°, B = 60°	C + A	Solder 2.8 x 0.5 mm	742F.401-00	3	0.023 kg	
				B - A - C	B = 60°, C = 60°	A + C	Solder 2.8 x 0.5 mm	752F.401-00	4	0.023 kg	

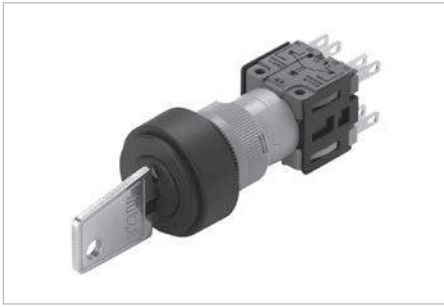
Front protection	Switching system	Behind panel depth	Contacts	Switching action	Switching angle	Key remove	Terminal	Part No.	Component layout	Wiring diagram	Weight
IP 65	Snap-action switching element	42 mm	2 NC + 2 NO	C - A - C	C = 90° / 90°	C + A + C	PCB	712F.401-WP	1	1	0.023 kg
				C - A - B	C = 60°, B = 60°	C + A	PCB	742F.401-WP	1	3	0.023 kg
		45 mm	2 NC + 2 NO	C - A - C	C = 90° / 90°	C + A + C	Solder 2.8 x 0.5 mm	712F.401-WO		1	0.023 kg
				A - C - C	C = 90° / 180°	A + C + C	Solder 2.8 x 0.5 mm	722F.401-WO		1	0.023 kg
				B - A - B	B = 60° / 60°	A	Solder 2.8 x 0.5 mm	732F.401-WO		2	0.023 kg
				C - A - B	C = 60°, B = 60°	C + A	Solder 2.8 x 0.5 mm	742F.401-WO		3	0.023 kg

Contacts: NC = Normally closed, NO = Normally open
 Switching action: A = Rest, B = Momentary, C = Maintained
 The component layouts you will find from page 107

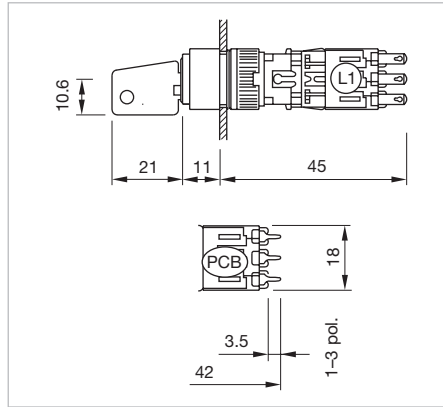


55 Raised design

Keylock switch 3 positions round Ø 24 mm

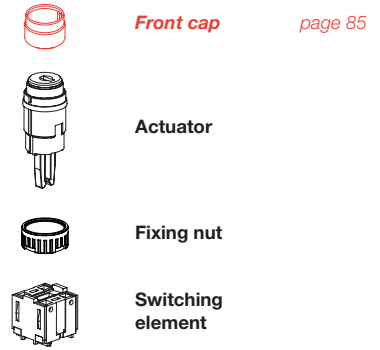


Product can differ from the current configuration.



Dimensions [mm]
L1 = Solder terminal 2.8 x 0.5 mm,
PCB = Print terminal

Equipment consisting of (schematic overview)

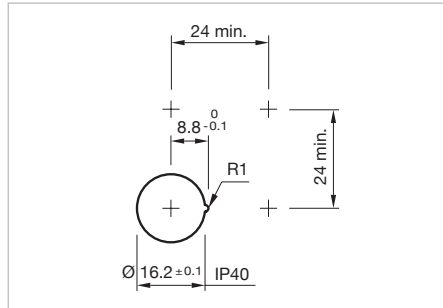


Each Part Number listed below includes all the black components shown in the 3D-drawing.

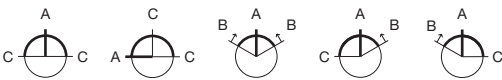
To obtain a complete unit, please select the red components from the pages shown.

Additional Information


- Standard lock B2 300
- Further lock numbers see «Technical data»
- With IP 65 no anti-rotation device can be placed within the mounting cut-out. For rear-side mounting of the anti-rotation device, please see chapter «Accessories», Part No. 260-0020-00 or 260-0021-00



Mounting cut-outs [mm]

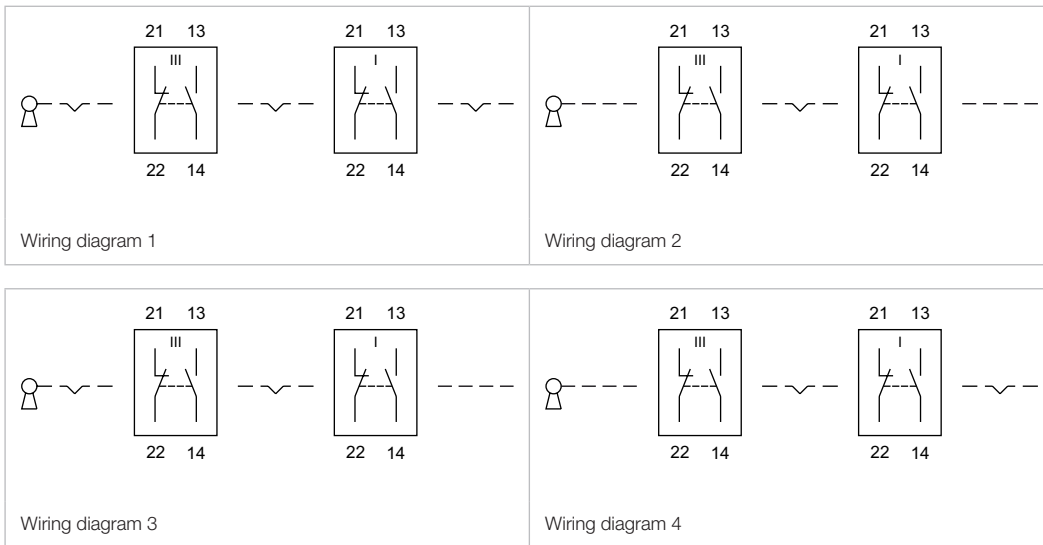


Switching positions (A = Rest, B = Momentary, C = Maintained)

Front protection	Switching system	Behind panel depth	Contacts	Switching action	Switching angle	Key remove	Terminal	Part No.	Component layout	Wiring diagram	Weight
	Snap-action switching element	42 mm	2 NC + 2 NO	C - A - C	C = 90° / 90°	C + A + C	PCB	712F.401-0P	1	1	0.023 kg
				A - C - C	C = 90° / 180°	A + C + C	PCB	722F.401-0P	1	1	0.023 kg
				B - A - B	B = 60° / 60°	A	PCB	732F.401-0P	1	2	0.023 kg
				B - A - C	B = 60°, C = 60°	A + C	PCB	752F.401-0P	1	4	0.023 kg
		45 mm	2 NC + 2 NO	C - A - C	C = 90° / 90°	C + A + C	Solder 2.8 x 0.5 mm	712F.401-00	1	0.023 kg	
				A - C - C	C = 90° / 180°	A + C + C	Solder 2.8 x 0.5 mm	722F.401-00	1	0.023 kg	
				B - A - B	B = 60° / 60°	A	Solder 2.8 x 0.5 mm	732F.401-00	2	0.023 kg	
				C - A - B	C = 60°, B = 60°	C + A	Solder 2.8 x 0.5 mm	742F.401-00	3	0.023 kg	
					B - A - C	B = 60°, C = 60°	A + C	Solder 2.8 x 0.5 mm	752F.401-00	4	0.023 kg

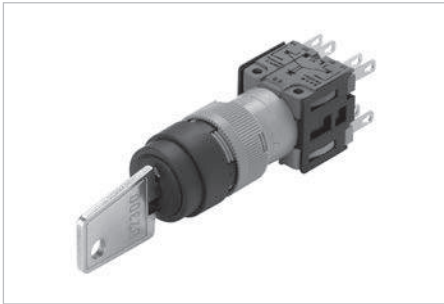
Front protection	Switching system	Behind panel depth	Contacts	Switching action	Switching angle	Key remove	Terminal	Part No.	Component layout	Wiring diagram	Weight
IP 65	Snap-action switching element	42 mm	2 NC + 2 NO	C - A - C	C = 90° / 90°	C + A + C	PCB	712F.401-WP	1	1	0.023 kg
			2 NC + 2 NO	C - A - B	C = 60°, B = 60°	C + A	PCB	742F.401-WP	1	3	0.023 kg
		45 mm	2 NC + 2 NO	C - A - C	C = 90° / 90°	C + A + C	Solder 2.8 x 0.5 mm	712F.401-WO		1	0.023 kg
			2 NC + 2 NO	A - C - C	C = 90° / 180°	A + C + C	Solder 2.8 x 0.5 mm	722F.401-WO		1	0.023 kg
			2 NC + 2 NO	B - A - B	B = 60° / 60°	A	Solder 2.8 x 0.5 mm	732F.401-WO		2	0.023 kg
			2 NC + 2 NO	C - A - B	C = 60°, B = 60°	C + A	Solder 2.8 x 0.5 mm	742F.401-WO		3	0.023 kg

Contacts: NC = Normally closed, NO = Normally open
 Switching action: A = Rest, B = Momentary, C = Maintained
 The component layouts you will find from page 107

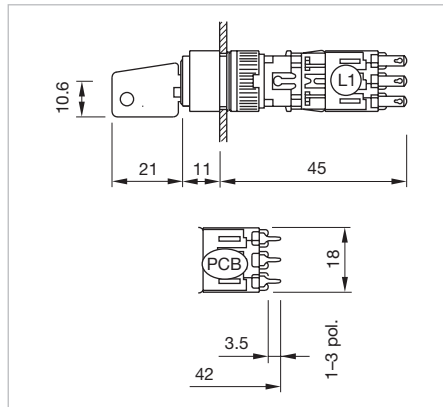


55 Raised design

Keylock switch 3 positions round Ø 18 mm

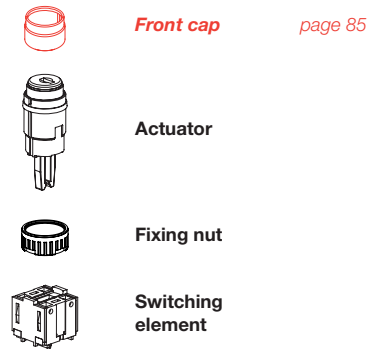


Product can differ from the current configuration.



Dimensions [mm]
L1 = Solder terminal 2.8 x 0.5 mm,
PCB = Print terminal

Equipment consisting of (schematic overview)

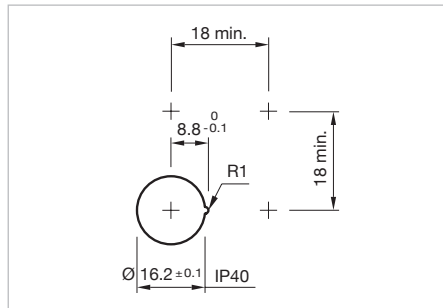


Each Part Number listed below includes all the black components shown in the 3D-drawing.

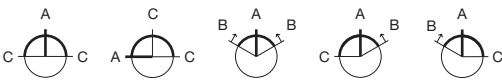
To obtain a complete unit, please select the red components from the pages shown.

Additional Information


- For the flush design please order the additional front bezel set, see chapter «Accessories»
- Standard lock B2 300
- Further lock numbers see «Technical data»
- With IP 65 no anti-rotation device can be placed within the mounting cut-out. For rear-side mounting of the anti-rotation device, please see chapter «Accessories», Part No. 260-0020-00 or 260-0021-00



Mounting cut-outs [mm]

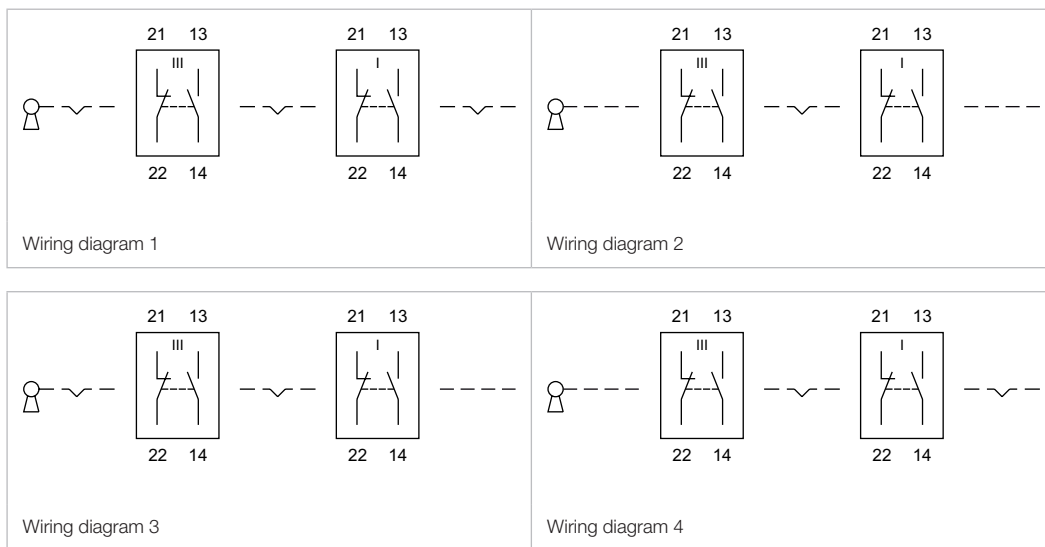


Switching positions (A = Rest, B = Momentary, C = Maintained)

Front protection	Switching system	Behind panel depth	Contacts	Switching action	Switching angle	Key remove	Terminal	Part No.	Component layout	Wiring diagram	Weight
	Snap-action switching element	42 mm	2 NC + 2 NO	C - A - C	C = 90° / 90°	C + A + C	PCB	712F.401-0P	1	1	0.023 kg
				A - C - C	C = 90° / 180°	A + C + C	PCB	722F.401-0P	1	1	0.023 kg
				B - A - B	B = 60° / 60°	A	PCB	732F.401-0P	1	2	0.023 kg
				B - A - C	B = 60°, C = 60°	A + C	PCB	752F.401-0P	1	4	0.023 kg
		45 mm	2 NC + 2 NO	C - A - C	C = 90° / 90°	C + A + C	Solder 2.8 x 0.5 mm	712F.401-00	1	0.023 kg	
				A - C - C	C = 90° / 180°	A + C + C	Solder 2.8 x 0.5 mm	722F.401-00	1	0.023 kg	
				B - A - B	B = 60° / 60°	A	Solder 2.8 x 0.5 mm	732F.401-00	2	0.023 kg	
				C - A - B	C = 60°, B = 60°	C + A	Solder 2.8 x 0.5 mm	742F.401-00	3	0.023 kg	
					B - A - C	B = 60°, C = 60°	A + C	Solder 2.8 x 0.5 mm	752F.401-00	4	0.023 kg

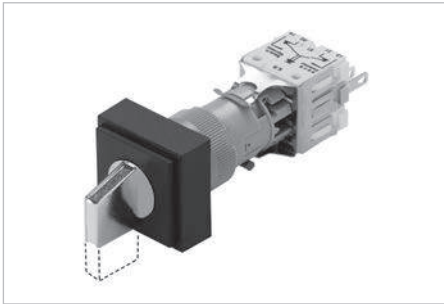
Front protection	Switching system	Behind panel depth	Contacts	Switching action	Switching angle	Key remove	Terminal	Part No.	Component layout	Wiring diagram	Weight
IP 65	Snap-action switching element	42 mm	2 NC + 2 NO	C - A - C	C = 90° / 90°	C + A + C	PCB	712F.401-WP	1	1	0.023 kg
				C - A - B	C = 60°, B = 60°	C + A	PCB	742F.401-WP	1	3	0.023 kg
		45 mm	2 NC + 2 NO	C - A - C	C = 90° / 90°	C + A + C	Solder 2.8 x 0.5 mm	712F.401-WO		1	0.023 kg
				A - C - C	C = 90° / 180°	A + C + C	Solder 2.8 x 0.5 mm	722F.401-WO		1	0.023 kg
				B - A - B	B = 60° / 60°	A	Solder 2.8 x 0.5 mm	732F.401-WO		2	0.023 kg
				C - A - B	C = 60°, B = 60°	C + A	Solder 2.8 x 0.5 mm	742F.401-WO		3	0.023 kg

Contacts: NC = Normally closed, NO = Normally open
 Switching action: A = Rest, B = Momentary, C = Maintained
 The component layouts you will find from page 107

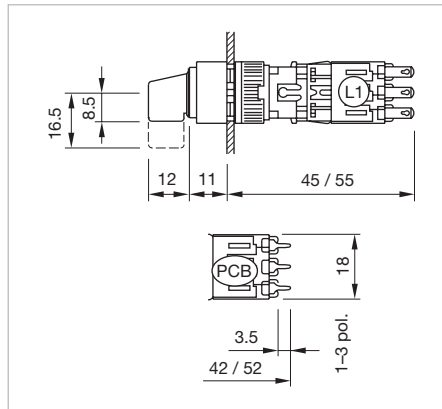


55 Raised design

Selector switch 2 positions square 24 x 24 mm

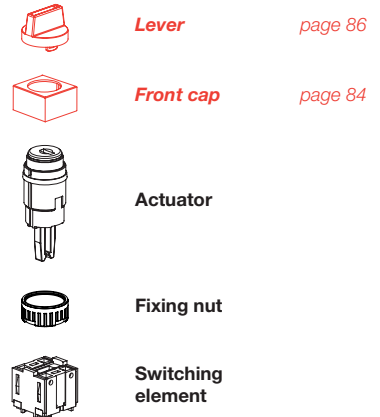


Product can differ from the current configuration.



Dimensions [mm]
L1 = Solder terminal 2.8 x 0.5 mm,
PCB = Print terminal

Equipment consisting of (schematic overview)

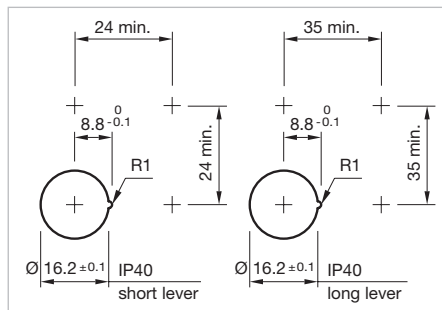


Each Part Number listed below includes all the black components shown in the 3D-drawing.

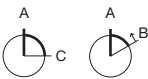
To obtain a complete unit, please select the red components from the pages shown.

Additional Information

- With IP 65 no anti-rotation device can be placed within the mounting cut-out. For rear-side mounting of the anti-rotation device, please see chapter «Accessories», Part No. 260-0020-00 or 260-0021-00




Mounting cut-outs [mm]

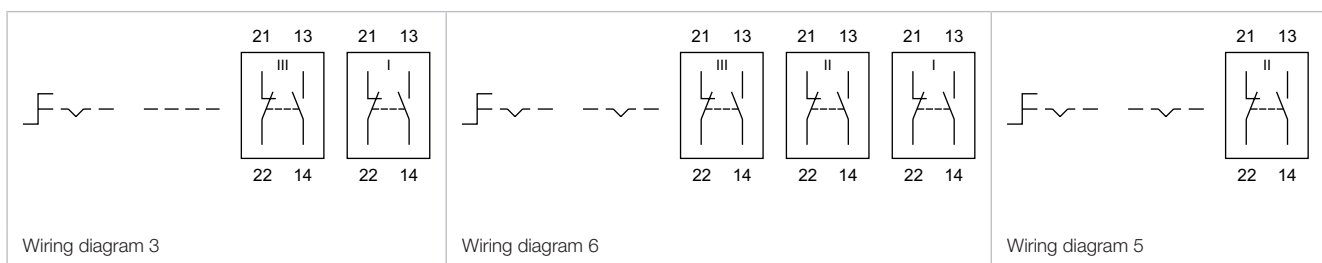
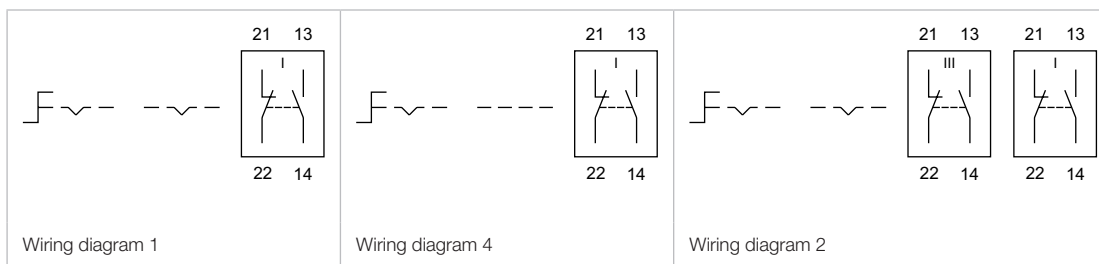


Switching positions (A = Rest, B = Momentary, C = Maintained)

Front protection	Switching system	Behind panel depth	Contacts	Switching action	Switching angle	Terminal	Part No.	Component layout	Wiring diagram	Weight
	Snap-action switching element	42 mm	1 NC + 1 NO	A - C	C = 90°	PCB	761F.700-0P	1	1	0.011 kg
			2 NC + 2 NO	A - C	C = 90°	PCB	762F.700-0P	1	2	0.012 kg
			2 NC + 2 NO	A - B	B = 60°	PCB	782F.700-0P	1	3	0.012 kg
		45 mm	1 NC + 1 NO	A - C	C = 90°	Solder 2.8 x 0.5 mm	761F.700-00		1	0.011 kg
			2 NC + 2 NO	A - C	C = 90°	Solder 2.8 x 0.5 mm	762F.700-00		2	0.012 kg
			1 NC + 1 NO	A - B	B = 60°	Solder 2.8 x 0.5 mm	781F.700-00		4	0.011 kg
IP 65	Snap-action switching element	42 mm	1 NC + 1 NO	A - C	C = 90°	PCB	761F.700-WP	1	1	0.011 kg
			2 NC + 2 NO	A - C	C = 90°	PCB	762F.700-WP	1	2	0.012 kg
		45 mm	1 NC + 1 NO	A - C	C = 90°	Solder 2.8 x 0.5 mm	761F.700-W0		1	0.011 kg
				A - B	B = 60°	Solder 2.8 x 0.5 mm	781F.700-W0		4	0.011 kg
		2 NC + 2 NO	A - C	C = 90°	Solder 2.8 x 0.5 mm	762F.700-W0		2	0.012 kg	

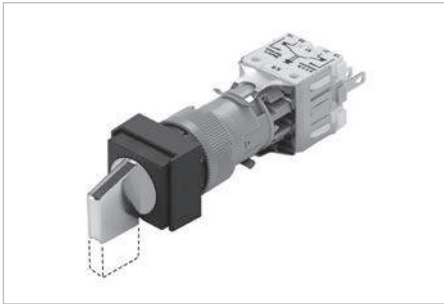
Front protection	Switching system	Behind panel depth	Contacts	Switching action	Switching angle	Terminal	Part No.	Component layout	Wiring diagram	Weight
 <p>Selector switch actuator 2 positions square, Front dimension 24 x 24 mm</p>										
IP 40	Snap-action switching element	52 mm	1 NC + 1 NO	A - C	C = 90°	PCB	911F.700-OP	1	5	0.013 kg
			2 NC + 2 NO	A - C	C = 90°	PCB	912F.700-OP	1	2	0.014 kg
			3 NC + 3 NO	A - C	C = 90°	PCB	913F.700-OP	1	6	0.015 kg
		55 mm	1 NC + 1 NO	A - C	C = 90°	Solder 2.8 x 0.5 mm	911F.700-00		5	0.013 kg
			2 NC + 2 NO	A - C	C = 90°	Solder 2.8 x 0.5 mm	912F.700-00		2	0.014 kg
			3 NC + 3 NO	A - C	C = 90°	Solder 2.8 x 0.5 mm	913F.700-00		6	0.015 kg
IP 65	Snap-action switching element	52 mm	1 NC + 1 NO	A - C	C = 90°	PCB	911F.700-WP	1	5	0.013 kg
		55 mm	1 NC + 1 NO	A - C	C = 90°	Solder 2.8 x 0.5 mm	911F.700-W0		5	0.013 kg
			2 NC + 2 NO	A - C	C = 90°	Solder 2.8 x 0.5 mm	912F.700-W0		2	0.014 kg
			3 NC + 3 NO	A - C	C = 90°	Solder 2.8 x 0.5 mm	913F.700-W0		6	0.015 kg

Contacts: NC = Normally closed, NO = Normally open
 Switching action: A = Rest, B = Momentary, C = Maintained
 The component layouts you will find from page 107

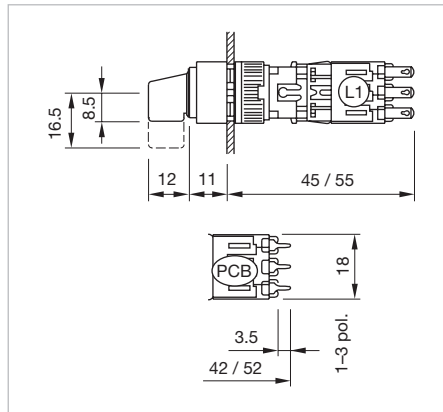


55 Raised design

Selector switch 2 positions square 18 x 18 mm

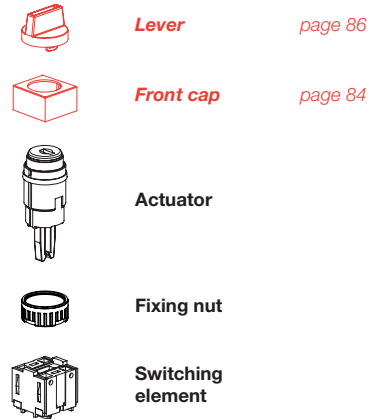


Product can differ from the current configuration.



Dimensions [mm]
L1 = Solder terminal 2.8 x 0.5 mm,
PCB = Print terminal

Equipment consisting of (schematic overview)

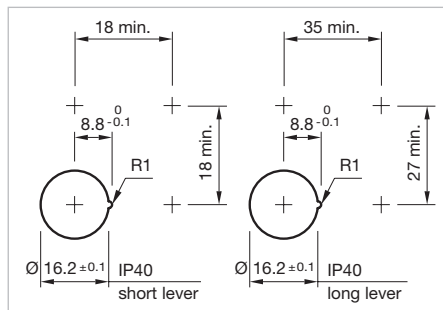


Each Part Number listed below includes all the black components shown in the 3D-drawing.

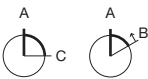
To obtain a complete unit, please select the red components from the pages shown.

Additional Information

- For the flush design please order the additional front bezel set, see chapter «Accessories»
- With IP 65 no anti-rotation device can be placed within the mounting cut-out. For rear-side mounting of the anti-rotation device, please see chapter «Accessories», Part No. 260-0020-00 or 260-0021-00




Mounting cut-outs [mm]

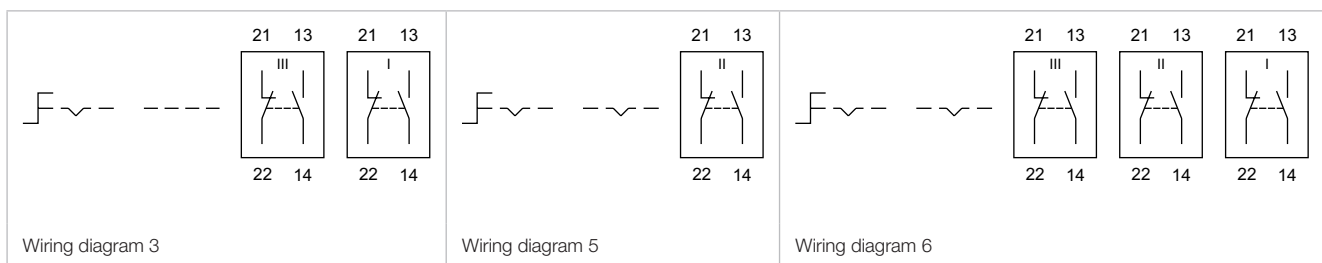
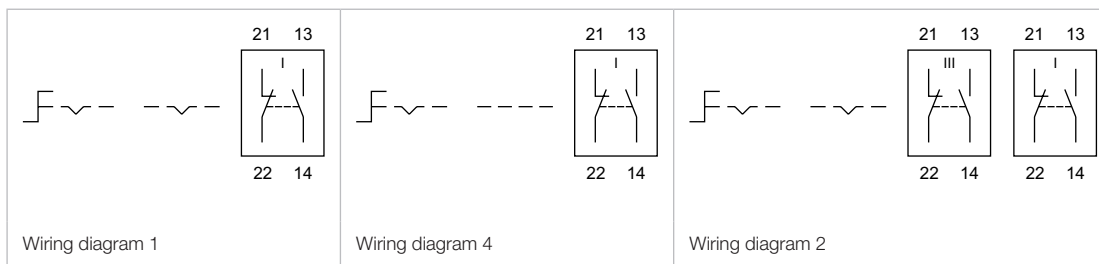


Switching positions (A = Rest, B = Momentary, C = Maintained)

Front protection	Switching system	Behind panel depth	Contacts	Switching action	Switching angle	Terminal	Part No.	Component layout	Wiring diagram	Weight
	Snap-action switching element	42 mm	1 NC + 1 NO	A - C	C = 90°	PCB	761F.700-0P	1	1	0.011 kg
			2 NC + 2 NO	A - C	C = 90°	PCB	762F.700-0P	1	2	0.012 kg
			2 NC + 2 NO	A - B	B = 60°	PCB	782F.700-0P	1	3	0.012 kg
		45 mm	1 NC + 1 NO	A - C	C = 90°	Solder 2.8 x 0.5 mm	761F.700-00	1	0.011 kg	
			1 NC + 1 NO	A - B	B = 60°	Solder 2.8 x 0.5 mm	781F.700-00	4	0.011 kg	
			2 NC + 2 NO	A - C	C = 90°	Solder 2.8 x 0.5 mm	762F.700-00	2	0.012 kg	
			2 NC + 2 NO	A - B	B = 60°	Solder 2.8 x 0.5 mm	782F.700-00	3	0.012 kg	
IP 65	Snap-action switching element	42 mm	1 NC + 1 NO	A - C	C = 90°	PCB	761F.700-WP	1	1	0.011 kg
			2 NC + 2 NO	A - C	C = 90°	PCB	762F.700-WP	1	2	0.012 kg
		45 mm	1 NC + 1 NO	A - C	C = 90°	Solder 2.8 x 0.5 mm	761F.700-W0	1	0.011 kg	
				A - B	B = 60°	Solder 2.8 x 0.5 mm	781F.700-W0	4	0.011 kg	
			2 NC + 2 NO	A - C	C = 90°	Solder 2.8 x 0.5 mm	762F.700-W0	2	0.012 kg	
				A - B	B = 60°	Solder 2.8 x 0.5 mm	782F.700-W0	3	0.012 kg	

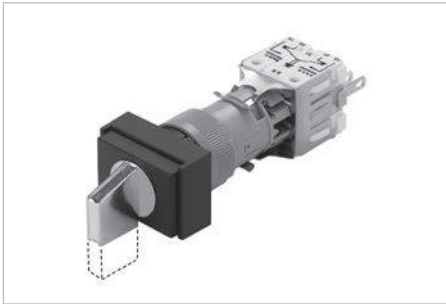
Front protection	Switching system	Behind panel depth	Contacts	Switching action	Switching angle	Terminal	Part No.	Component layout	Wiring diagram	Weight
 <p>Selector switch actuator 2 positions square, Front dimension 18 x 18 mm</p>										
IP 40	Snap-action switching element	52 mm	1 NC + 1 NO	A - C	C = 90°	PCB	911F.700-0P	1	5	0.013 kg
			2 NC + 2 NO	A - C	C = 90°	PCB	912F.700-0P	1	2	0.014 kg
			3 NC + 3 NO	A - C	C = 90°	PCB	913F.700-0P	1	6	0.015 kg
		55 mm	1 NC + 1 NO	A - C	C = 90°	Solder 2.8 x 0.5 mm	911F.700-00		5	0.013 kg
			2 NC + 2 NO	A - C	C = 90°	Solder 2.8 x 0.5 mm	912F.700-00		2	0.014 kg
			3 NC + 3 NO	A - C	C = 90°	Solder 2.8 x 0.5 mm	913F.700-00		6	0.015 kg
IP 65	Snap-action switching element	52 mm	1 NC + 1 NO	A - C	C = 90°	PCB	911F.700-WP	1	5	0.013 kg
			55 mm	1 NC + 1 NO	A - C	C = 90°	Solder 2.8 x 0.5 mm	911F.700-W0		5
		55 mm	2 NC + 2 NO	A - C	C = 90°	Solder 2.8 x 0.5 mm	912F.700-W0		2	0.014 kg
			3 NC + 3 NO	A - C	C = 90°	Solder 2.8 x 0.5 mm	913F.700-W0		6	0.015 kg

Contacts: NC = Normally closed, NO = Normally open
 Switching action: A = Rest, B = Momentary, C = Maintained
 The component layouts you will find from page 107

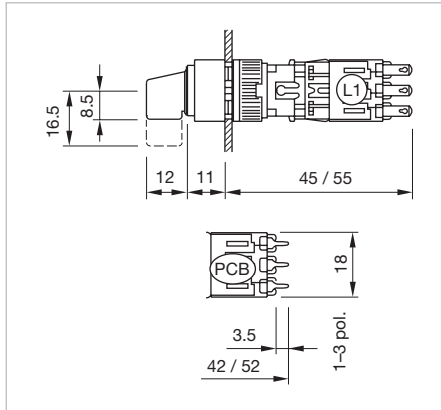


55 Raised design

Selector switch 2 positions rectangular 18 x 24 mm

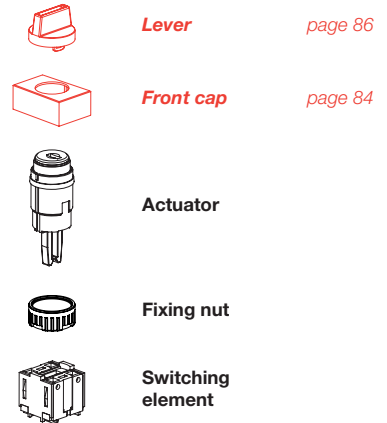


Product can differ from the current configuration.



Dimensions [mm]
L1 = Solder terminal 2.8 x 0.5 mm,
PCB = Print terminal

Equipment consisting of (schematic overview)

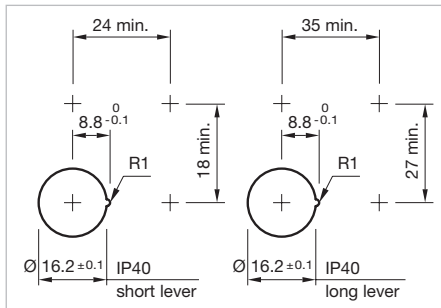


Each Part Number listed below includes all the black components shown in the 3D-drawing.

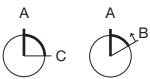
To obtain a complete unit, please select the red components from the pages shown.

Additional Information

- For the flush design please order the additional front bezel set, see chapter «Accessories»
- With IP 65 no anti-rotation device can be placed within the mounting cut-out. For rear-side mounting of the anti-rotation device, please see chapter «Accessories», Part No. 260-0020-00 or 260-0021-00




Mounting cut-outs [mm]

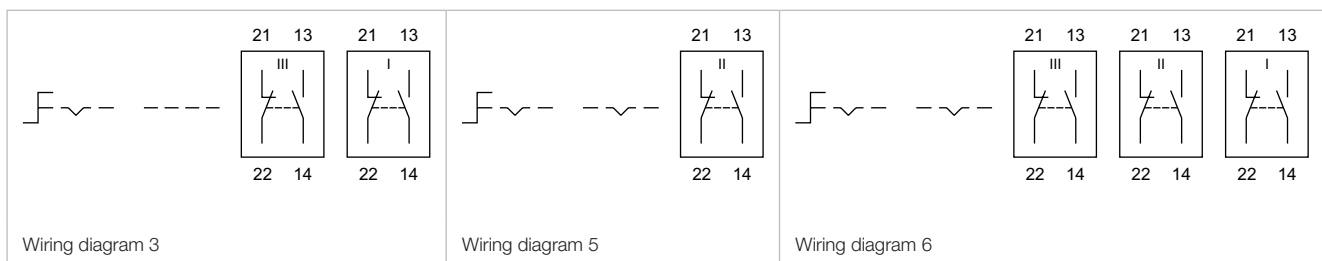
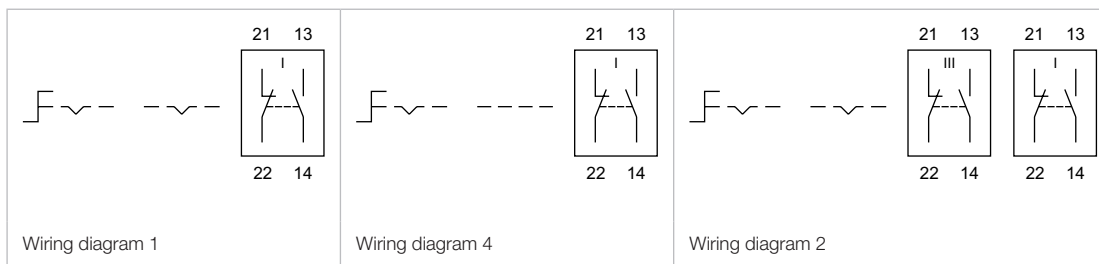


Switching positions (A = Rest, B = Momentary, C = Maintained)

Front protection	Switching system	Behind panel depth	Contacts	Switching action	Switching angle	Terminal	Part No.	Component layout	Wiring diagram	Weight
	Snap-action switching element	42 mm	1 NC + 1 NO	A - C	C = 90°	PCB	761F.700-0P	1	1	0.011 kg
			2 NC + 2 NO	A - C	C = 90°	PCB	762F.700-0P	1	2	0.012 kg
				A - B	B = 60°	PCB	782F.700-0P	1	3	0.012 kg
		45 mm	1 NC + 1 NO	A - C	C = 90°	Solder 2.8 x 0.5 mm	761F.700-00	1	0.011 kg	
				A - B	B = 60°	Solder 2.8 x 0.5 mm	781F.700-00	4	0.011 kg	
			2 NC + 2 NO	A - C	C = 90°	Solder 2.8 x 0.5 mm	762F.700-00	2	0.012 kg	
		A - B	B = 60°	Solder 2.8 x 0.5 mm	782F.700-00	3	0.012 kg			
IP 65	Snap-action switching element	42 mm	1 NC + 1 NO	A - C	C = 90°	PCB	761F.700-WP	1	1	0.011 kg
			2 NC + 2 NO	A - C	C = 90°	PCB	762F.700-WP	1	2	0.012 kg
		45 mm	1 NC + 1 NO	A - C	C = 90°	Solder 2.8 x 0.5 mm	761F.700-W0	1	0.011 kg	
				A - B	B = 60°	Solder 2.8 x 0.5 mm	781F.700-W0	4	0.011 kg	
			2 NC + 2 NO	A - C	C = 90°	Solder 2.8 x 0.5 mm	762F.700-W0	2	0.012 kg	
				A - B	B = 60°	Solder 2.8 x 0.5 mm	782F.700-W0	3	0.012 kg	

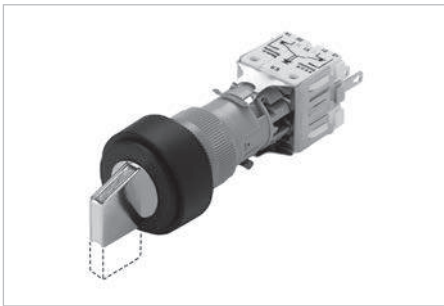
Front protection	Switching system	Behind panel depth	Contacts	Switching action	Switching angle	Terminal	Part No.	Component layout	Wiring diagram	Weight
 <p>Selector switch actuator 2 positions rectangular, Front dimension 18 x 24 mm</p>										
IP 40	Snap-action switching element	52 mm	1 NC + 1 NO	A - C	C = 90°	PCB	911F.700-0P	1	5	0.013 kg
			2 NC + 2 NO	A - C	C = 90°	PCB	912F.700-0P	1	2	0.014 kg
			3 NC + 3 NO	A - C	C = 90°	PCB	913F.700-0P	1	6	0.015 kg
		55 mm	1 NC + 1 NO	A - C	C = 90°	Solder 2.8 x 0.5 mm	911F.700-00		5	0.013 kg
			2 NC + 2 NO	A - C	C = 90°	Solder 2.8 x 0.5 mm	912F.700-00		2	0.014 kg
			3 NC + 3 NO	A - C	C = 90°	Solder 2.8 x 0.5 mm	913F.700-00		6	0.015 kg
IP 65	Snap-action switching element	52 mm	1 NC + 1 NO	A - C	C = 90°	PCB	911F.700-WP	1	5	0.013 kg
		55 mm	1 NC + 1 NO	A - C	C = 90°	Solder 2.8 x 0.5 mm	911F.700-W0		5	0.013 kg
			2 NC + 2 NO	A - C	C = 90°	Solder 2.8 x 0.5 mm	912F.700-W0		2	0.014 kg
			3 NC + 3 NO	A - C	C = 90°	Solder 2.8 x 0.5 mm	913F.700-W0		6	0.015 kg

Contacts: NC = Normally closed, NO = Normally open
 Switching action: A = Rest, B = Momentary, C = Maintained
 The component layouts you will find from page 107

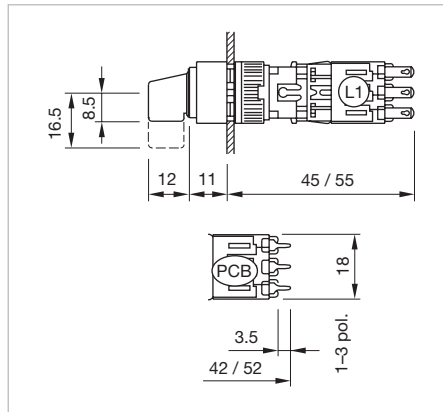


55 Raised design

Selector switch 2 positions round Ø 24 mm

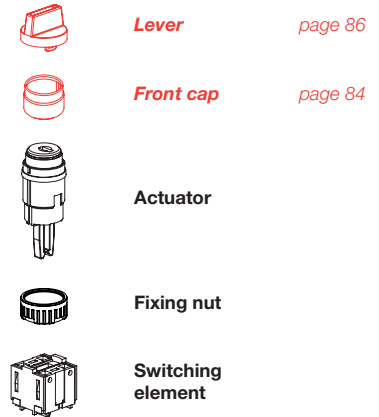


Product can differ from the current configuration.



Dimensions [mm]
L1 = Solder terminal 2.8 x 0.5 mm,
PCB = Print terminal

Equipment consisting of (schematic overview)

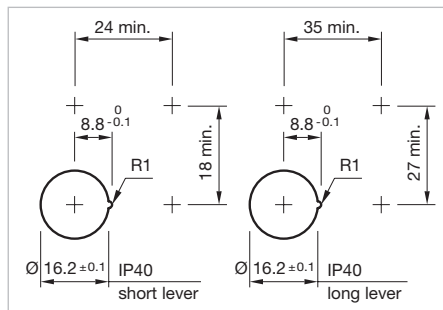


Each Part Number listed below includes all the black components shown in the 3D-drawing.

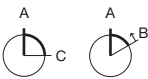
To obtain a complete unit, please select the red components from the pages shown.

Additional Information

- With IP 65 no anti-rotation device can be placed within the mounting cut-out. For rear-side mounting of the anti-rotation device, please see chapter «Accessories», Part No. 260-0020-00 or 260-0021-00




Mounting cut-outs [mm]

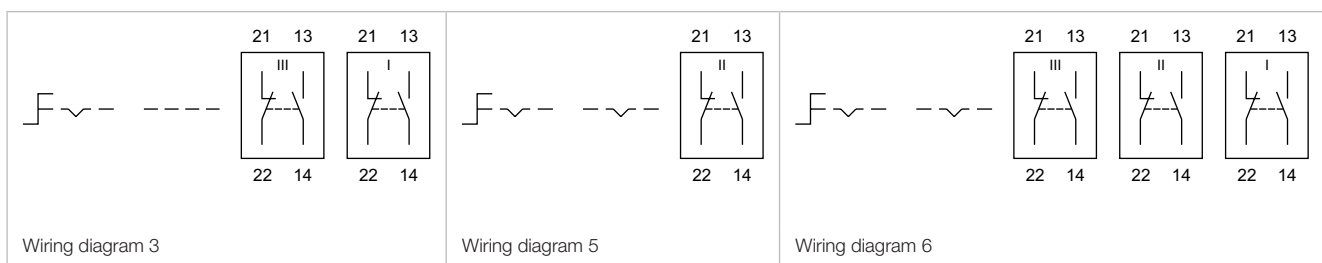
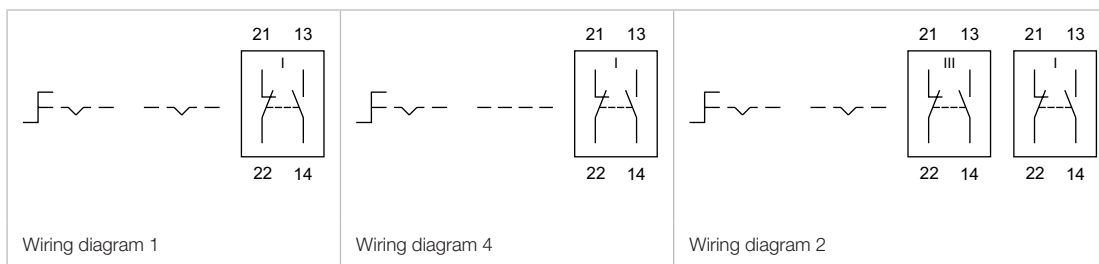


Switching positions (A = Rest, B = Momentary, C = Maintained)

Front protection	Switching system	Behind panel depth	Contacts	Switching action	Switching angle	Terminal	Part No.	Component layout	Wiring diagram	Weight
	Snap-action switching element	42 mm	1 NC + 1 NO	A - C	C = 90°	PCB	761F.700-0P	1	1	0.011 kg
			2 NC + 2 NO	A - C	C = 90°	PCB	762F.700-0P	1	2	0.012 kg
				A - B	B = 60°	PCB	782F.700-0P	1	3	0.012 kg
		45 mm	1 NC + 1 NO	A - C	C = 90°	Solder 2.8 x 0.5 mm	761F.700-00	1	0.011 kg	
				A - B	B = 60°	Solder 2.8 x 0.5 mm	781F.700-00	4	0.011 kg	
			2 NC + 2 NO	A - C	C = 90°	Solder 2.8 x 0.5 mm	762F.700-00	2	0.012 kg	
		A - B	B = 60°	Solder 2.8 x 0.5 mm	782F.700-00	3	0.012 kg			
IP 65	Snap-action switching element	42 mm	1 NC + 1 NO	A - C	C = 90°	PCB	761F.700-WP	1	1	0.011 kg
			2 NC + 2 NO	A - C	C = 90°	PCB	762F.700-WP	1	2	0.012 kg
		45 mm	1 NC + 1 NO	A - C	C = 90°	Solder 2.8 x 0.5 mm	761F.700-W0	1	0.011 kg	
				A - B	B = 60°	Solder 2.8 x 0.5 mm	781F.700-W0	4	0.011 kg	
			2 NC + 2 NO	A - C	C = 90°	Solder 2.8 x 0.5 mm	762F.700-W0	2	0.012 kg	
				A - B	B = 60°	Solder 2.8 x 0.5 mm	782F.700-W0	3	0.012 kg	

Front protection	Switching system	Behind panel depth	Contacts	Switching action	Switching angle	Terminal	Part No.	Component layout	Wiring diagram	Weight
 <p>Selector switch actuator 2 positions round, Front dimension Ø 24 mm</p>										
IP 40	Snap-action switching element	52 mm	1 NC + 1 NO	A - C	C = 90°	PCB	911F.700-0P	1	5	0.013 kg
			2 NC + 2 NO	A - C	C = 90°	PCB	912F.700-0P	1	2	0.014 kg
			3 NC + 3 NO	A - C	C = 90°	PCB	913F.700-0P	1	6	0.015 kg
		55 mm	1 NC + 1 NO	A - C	C = 90°	Solder 2.8 x 0.5 mm	911F.700-00		5	0.013 kg
			2 NC + 2 NO	A - C	C = 90°	Solder 2.8 x 0.5 mm	912F.700-00		2	0.014 kg
			3 NC + 3 NO	A - C	C = 90°	Solder 2.8 x 0.5 mm	913F.700-00		6	0.015 kg
IP 65	Snap-action switching element	52 mm	1 NC + 1 NO	A - C	C = 90°	PCB	911F.700-WP	1	5	0.013 kg
		55 mm	1 NC + 1 NO	A - C	C = 90°	Solder 2.8 x 0.5 mm	911F.700-W0		5	0.013 kg
			2 NC + 2 NO	A - C	C = 90°	Solder 2.8 x 0.5 mm	912F.700-W0		2	0.014 kg
			3 NC + 3 NO	A - C	C = 90°	Solder 2.8 x 0.5 mm	913F.700-W0		6	0.015 kg

Contacts: NC = Normally closed, NO = Normally open
 Switching action: A = Rest, B = Momentary, C = Maintained
 The component layouts you will find from page 107

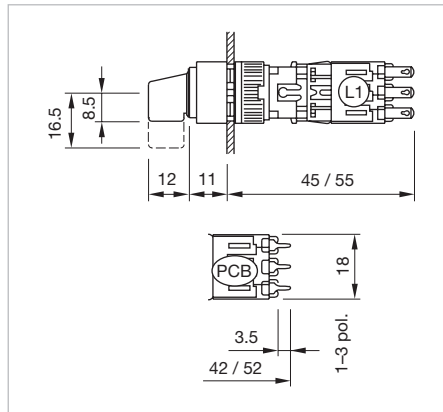


55 Raised design

Selector switch 2 positions round Ø 18 mm

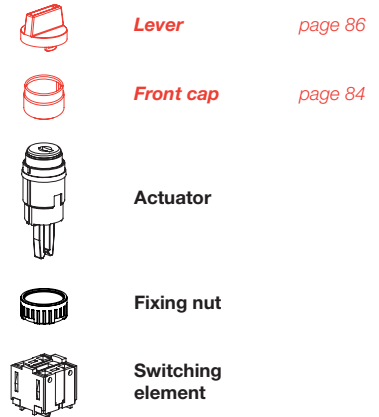


Product can differ from the current configuration.



Dimensions [mm]
L1 = Solder terminal 2.8 x 0.5 mm,
PCB = Print terminal

Equipment consisting of (schematic overview)

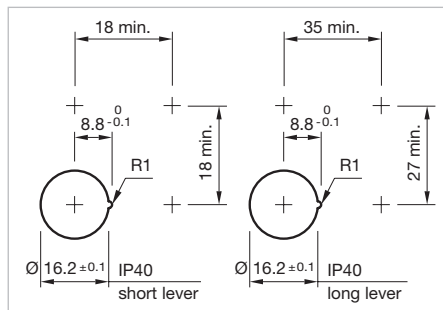


Each Part Number listed below includes all the black components shown in the 3D-drawing.

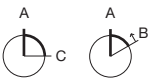
To obtain a complete unit, please select the red components from the pages shown.

Additional Information


- For the flush design please order the additional front bezel set, see chapter «Accessories»
- With IP 65 no anti-rotation device can be placed within the mounting cut-out. For rear-side mounting of the anti-rotation device, please see chapter «Accessories», Part No. 260-0020-00 or 260-0021-00




Mounting cut-outs [mm]

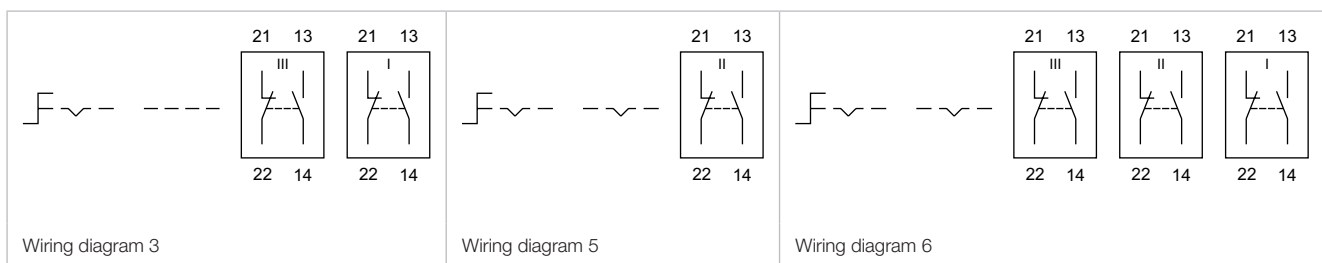
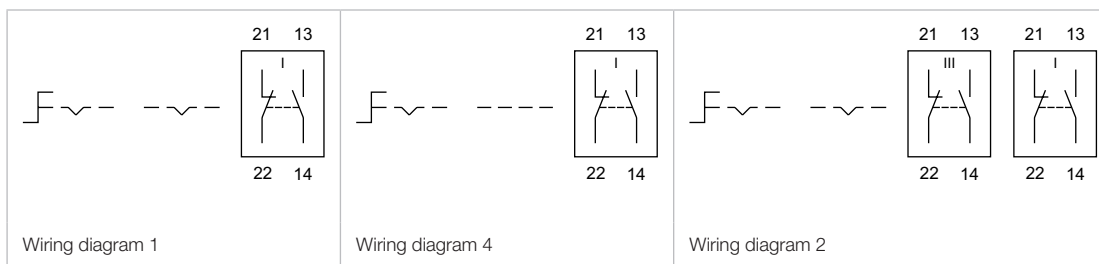


Switching positions (A = Rest, B = Momentary, C = Maintained)

Front protection	Switching system	Behind panel depth	Contacts	Switching action	Switching angle	Terminal	Part No.	Component layout	Wiring diagram	Weight
 Selector switch actuator 2 positions round, Front dimension Ø 18 mm	Snap-action switching element	42 mm	1 NC + 1 NO	A - C	C = 90°	PCB	761F.700-0P	1	1	0.011 kg
			2 NC + 2 NO	A - C	C = 90°	PCB	762F.700-0P	1	2	0.012 kg
				A - B	B = 60°	PCB	782F.700-0P	1	3	0.012 kg
		45 mm	1 NC + 1 NO	A - C	C = 90°	Solder 2.8 x 0.5 mm	761F.700-00	1	0.011 kg	
				A - B	B = 60°	Solder 2.8 x 0.5 mm	781F.700-00	4	0.011 kg	
			2 NC + 2 NO	A - C	C = 90°	Solder 2.8 x 0.5 mm	762F.700-00	2	0.012 kg	
IP 65	Snap-action switching element	42 mm	1 NC + 1 NO	A - C	C = 90°	PCB	761F.700-WP	1	1	0.011 kg
			2 NC + 2 NO	A - C	C = 90°	PCB	762F.700-WP	1	2	0.012 kg
		45 mm	1 NC + 1 NO	A - C	C = 90°	Solder 2.8 x 0.5 mm	761F.700-W0	1	0.011 kg	
				A - B	B = 60°	Solder 2.8 x 0.5 mm	781F.700-W0	4	0.011 kg	
			2 NC + 2 NO	A - C	C = 90°	Solder 2.8 x 0.5 mm	762F.700-W0	2	0.012 kg	
				A - B	B = 60°	Solder 2.8 x 0.5 mm	782F.700-W0	3	0.012 kg	

Front protection	Switching system	Behind panel depth	Contacts	Switching action	Switching angle	Terminal	Part No.	Component layout	Wiring diagram	Weight
 <p>Selector switch actuator 2 positions round, Front dimension Ø 18 mm</p>										
IP 40	Snap-action switching element	52 mm	1 NC + 1 NO	A - C	C = 90°	PCB	911F.700-0P	1	5	0.013 kg
			2 NC + 2 NO	A - C	C = 90°	PCB	912F.700-0P	1	2	0.014 kg
			3 NC + 3 NO	A - C	C = 90°	PCB	913F.700-0P	1	6	0.015 kg
		55 mm	1 NC + 1 NO	A - C	C = 90°	Solder 2.8 x 0.5 mm	911F.700-00		5	0.013 kg
			2 NC + 2 NO	A - C	C = 90°	Solder 2.8 x 0.5 mm	912F.700-00		2	0.014 kg
			3 NC + 3 NO	A - C	C = 90°	Solder 2.8 x 0.5 mm	913F.700-00		6	0.015 kg
IP 65	Snap-action switching element	52 mm	1 NC + 1 NO	A - C	C = 90°	PCB	911F.700-WP	1	5	0.013 kg
		55 mm	1 NC + 1 NO	A - C	C = 90°	Solder 2.8 x 0.5 mm	911F.700-W0		5	0.013 kg
			2 NC + 2 NO	A - C	C = 90°	Solder 2.8 x 0.5 mm	912F.700-W0		2	0.014 kg
			3 NC + 3 NO	A - C	C = 90°	Solder 2.8 x 0.5 mm	913F.700-W0		6	0.015 kg

Contacts: NC = Normally closed, NO = Normally open
 Switching action: A = Rest, B = Momentary, C = Maintained
 The component layouts you will find from page 107

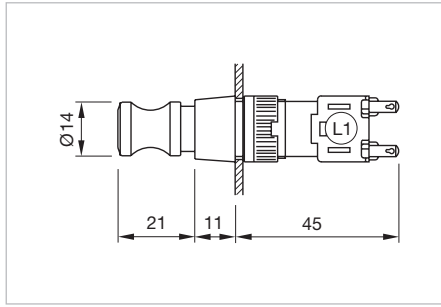


55 Raised design

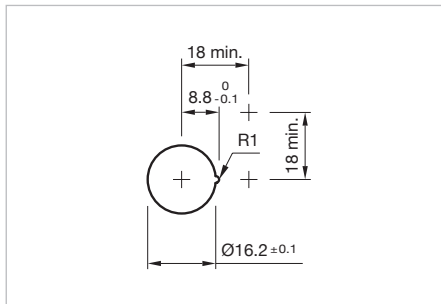
Illuminated push-pull button, IP 40



Product can differ from the current configuration.

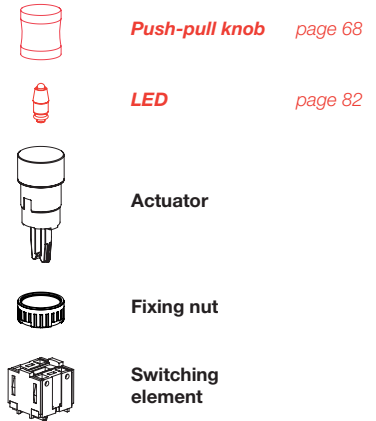


Dimensions [mm]
L1 = Solder terminal 2.8 x 0.5 mm




Mounting cut-outs [mm]

Equipment consisting of (schematic overview)

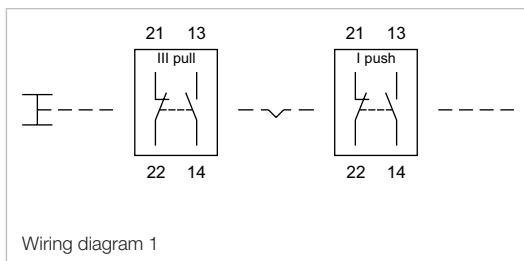


Each Part Number listed below includes all the black components shown in the 3D-drawing.

To obtain a complete unit, please select the red components from the pages shown.

Front bezel	Switching system	Behind panel depth	Contacts	Switching action	Terminal	Lamp socket	Part No.	Wiring diagram	Weight
 Illuminated push-pull pushbutton actuator 45 mm, Front dimension Ø 18 mm									
Plastic grey	Snap-action switching element	45 mm	2 NC + 2 NO	B - A - B	Solder 2.8 x 0.5 mm	T1 ¼ MG	792F1000-00	1	0.015 kg
Plastic black	Snap-action switching element	45 mm	2 NC + 2 NO	B - A - B	Solder 2.8 x 0.5 mm	T1 ¼ MG	792F2000-00	1	0.015 kg




Contacts: NC = Normally closed, NO = Normally open
Switching action: A = Rest, B = Momentary
The component layouts you will find from page 107



Front

Lens plastic
Additional Information


- For indicator and illuminated pushbutton, 35 mm




Product attribute	Dimension	Lens	Part No.	Weight
 <p>Lens plastic square</p>				
for button with front dimension 18 x 18 mm, flat, illuminative	15.2 x 15.2 mm	orange translucent	600-3110-00	0.001 kg
		red translucent	600-3120-00	0.001 kg
		green translucent	600-3140-00	0.001 kg
		blue translucent	600-3150-00	0.001 kg
		white translucent	600-3160-00	0.001 kg
		yellow translucent	600-3170-00	0.001 kg
for button with front dimension 18 x 18 mm, flat, non illuminative	15.2 x 15.2 mm	grey opaque	600-3180-00	0.001 kg
		schwarz opak	600-3190-00	0.001 kg
 <p>Lens plastic rectangular</p>				
for button with front dimension 18 x 24 mm, flat, illuminative	15.2 x 21.2 mm	orange translucent	600-5110-00	0.001 kg
		red translucent	600-5120-00	0.001 kg
		green translucent	600-5140-00	0.001 kg
		blue translucent	600-5150-00	0.001 kg
		white translucent	600-5160-00	0.001 kg
		yellow translucent	600-5170-00	0.001 kg
for button with front dimension 18 x 24 mm, flat, non illuminative	15.2 x 21.2 mm	black opaque	600-5190-00	0.001 kg
 <p>Lens plastic round</p>				
for button with front dimension Ø 18 mm, flat, illuminative	Ø 15.2 mm	orange translucent	600-1110-00	0.001 kg
		red translucent	600-1120-00	0.001 kg
		green translucent	600-1140-00	0.001 kg
		blue translucent	600-1150-00	0.001 kg
		white translucent	600-1160-00	0.001 kg
		yellow translucent	600-1170-00	0.001 kg
for button with front dimension Ø 18 mm, flat, non illuminative	Ø 15.2 mm	grey opaque	600-1180-00	0.001 kg
		black opaque	600-1190-00	0.001 kg

Lens plastic IP40/IP65




Additional Information

- Lens IP 65 is supplied with fitted sealing gland.

Product attribute	Front protection	Dimension	Lens	Part No.	Weight
 <p>Lens plastic square</p>					
for button with front dimension 24 x 24 mm, flat, illuminative	IP 40	20.8 x 20.8 mm	orange translucent	200-9110-00	0.001 kg
			red translucent	200-9120-00	0.001 kg
			green translucent	200-9140-00	0.001 kg
			blue translucent	200-9150-00	0.001 kg
			white translucent	200-9160-00	0.001 kg
			yellow translucent	200-9170-00	0.001 kg
			red transparent	200-7220-00	0.001 kg
or button with front dimension 24 x 24 mm, flat, non illuminative	IP 40	20.8 x 20.8 mm	black opaque	200-9190-00	0.001 kg
or button with front dimension 24 x 24 mm, flat, illuminative	IP 40	20.8 x 20.8 mm	orange transparent	200-9210-00	0.001 kg
			red transparent	200-9220-00	0.001 kg
			green transparent	200-9240-00	0.001 kg
			white transparent	200-9260-00	0.001 kg
			yellow transparent	200-9270-00	0.001 kg

Product attribute	Front protection	Dimension	Lens	Part No.	Weight			
 <p>Lens plastic square</p> <p>for button with front dimension 24 x 24 mm, flat, illuminative</p>	IP 65	20.8 x 20.8 mm	red translucent	200-9120-W0	0.002 kg			
			green translucent	200-9140-W0	0.002 kg			
			blue translucent	200-9150-W0	0.002 kg			
			white translucent	200-9160-W0	0.002 kg			
			yellow translucent	200-9170-W0	0.002 kg			
			red transparent	200-9220-W0	0.002 kg			
			green transparent	200-9240-W0	0.002 kg			
			white transparent	200-9260-W0	0.002 kg			
 <p>Lens plastic square</p> <p>for button with front dimension 18 x 18 mm, flat, illuminative</p>	IP 40	15.2 x 15.2 mm	orange translucent	200-3110-00	0.001 kg			
			red translucent	200-3120-00	0.001 kg			
			green translucent	200-3140-00	0.001 kg			
			blue translucent	200-3150-00	0.001 kg			
			white translucent	200-3160-00	0.001 kg			
			yellow translucent	200-3170-00	0.001 kg			
			orange transparent	200-3210-00	0.001 kg			
			red transparent	200-3220-00	0.001 kg			
			green transparent	200-3240-00	0.001 kg			
			blue transparent	200-3250-00	0.001 kg			
			white transparent	200-3260-00	0.001 kg			
			yellow transparent	200-3270-00	0.001 kg			
			for button with front dimension 18 x 18 mm, flat, non illuminative	IP 40	15.2 x 15.2 mm	black opaque	200-3190-00	0.001 kg
			 <p>Lens plastic rectangular</p> <p>for button with front dimension 18 x 24 mm, flat, illuminative</p>	IP 40	15.2 x 21.2 mm	orange transparent	200-5210-00	0.001 kg
						red transparent	200-5220-00	0.001 kg
green transparent	200-5240-00	0.001 kg						
blue transparent	200-5250-00	0.001 kg						
white transparent	200-5260-00	0.001 kg						
yellow transparent	200-5270-00	0.001 kg						
orange translucent	200-5110-00	0.001 kg						
red translucent	200-5120-00	0.001 kg						
green translucent	200-5140-00	0.001 kg						
blue translucent	200-5150-00	0.001 kg						
white translucent	200-5160-00	0.001 kg						
yellow translucent	200-5170-00	0.001 kg						
for button with front dimension 18 x 24 mm, flat, non illuminative	IP 40	15.2 x 21.2 mm				grey opaque	200-5180-00	0.001 kg
						black opaque	200-5190-00	0.001 kg






55 Accessories

Product attribute	Front protection	Dimension	Lens	Part No.	Weight
 <p>Lens plastic round</p>					
for button with front dimension Ø 24 mm, flat, illuminative	IP 40	Ø 20.8 mm	orange translucent	200-7110-00	0.001 kg
			red translucent	200-7120-00	0.001 kg
			green translucent	200-7140-00	0.001 kg
			blue translucent	200-7150-00	0.001 kg
			white translucent	200-7160-00	0.001 kg
			yellow translucent	200-7170-00	0.001 kg
for button with front dimension Ø 24 mm, flat, non illuminative	IP 40	Ø 20.8 mm	black opaque	200-7190-00	0.001 kg
 <p>Lens plastic round</p>					
for button with front dimension Ø 24 mm, flat, illuminative	IP 65	Ø 20.8 mm	green translucent	200-7140-W0	0.002 kg
			white translucent	200-7160-W0	0.002 kg
			red transparent	200-7220-W0	0.002 kg
			green transparent	200-7240-W0	0.002 kg
 <p>Lens plastic round</p>					
for button with front dimension Ø 18 mm, flat, illuminative	IP 40	Ø 15.2 mm	orange translucent	200-1110-00	0.001 kg
			red translucent	200-1120-00	0.001 kg
			green translucent	200-1140-00	0.001 kg
			blue translucent	200-1150-00	0.001 kg
			white translucent	200-1160-00	0.001 kg
			yellow translucent	200-1170-00	0.001 kg
			red transparent	200-1220-00	0.001 kg
			green transparent	200-1240-00	0.001 kg
			blue transparent	200-1250-00	0.001 kg
			white transparent	200-1260-00	0.001 kg
			yellow transparent	200-1270-00	0.001 kg
for button with front dimension Ø 18 mm, flat, non illuminative	IP 40	Ø 15.2 mm	grey opaque	200-1180-00	0.001 kg
			black opaque	200-1190-00	0.001 kg

Front bezel for keylock switch and selector switch 2 positions

Additional Information





- Front bezel and switch will be delivered assembled


Product attribute	Marking	Material	Colour	Part No.	Weight
 <p>Front bezel for keylock switch and selector switch 2 positions square, 18 x 18 mm</p>					
fits for all Part No.	without marking	Plastic	grey	200-3004-00	0.002 kg
			black	200-4004-00	0.002 kg
for Part No. 761-xxx ... 772-xxx 911-xxx ... 925-xxx 811-xxx ... 825-xxx	0 - I (90°)	Plastic	black	200-4001-00	0.002 kg
for Part No. 781-xxx 782-xxx 931-xxx ... 935- xxx 831-xxx ... 835-xxx	0 - I (60°)	Plastic	black	200-4001-01	0.002 kg
 <p>Front bezel for keylock switch and selector switch 2 positions rectangular, 18 x 24 mm</p>					
fits for all Part No.	without marking	Plastic	black	200-6004-00	0.002 kg
for Part No. 761-xxx ... 772-xxx 911-xxx ... 925-xxx 811-xxx ... 825-xxx	0 - I (90°)	Plastic	grey	200-5001-00	0.002 kg
			black	200-6001-00	0.002 kg
for Part No. 781-xxx 782-xxx 931-xxx ... 935- xxx 831-xxx ... 835-xxx	0 - I (60°)	Plastic	black	200-6001-01	0.002 kg
 <p>Front bezel for keylock switch and selector switch 2 positions round, 18 mm</p>					
fits for all Part No.	without marking	Plastic	grey	200-1004-00	0.002 kg
			black	200-2004-00	0.002 kg
for Part No. 761-xxx ... 772-xxx 911-xxx ... 925-xxx 811-xxx ... 825-xxx	0 - I (90°)	Plastic	grey	200-1001-00	0.002 kg
			black	200-2001-00	0.002 kg
for Part No. 781-xxx 782-xxx 931-xxx ... 935- xxx 831-xxx ... 835-xxx	0 - I (60°)	Plastic	black	200-2001-01	0.002 kg
 <p>Front bezel for keylock switch and selector switch 2 positions square, 24 x 24 mm</p>					
fits for all Part No.	without marking	Plastic	grey	200-9004-00	0.002 kg
			black	200-0004-00	0.002 kg
for Part No. 761-xxx ... 772-xxx 911-xxx ... 925-xxx 811-xxx ... 825-xxx	0 - I (90°)	Plastic	grey	200-9001-00	0.002 kg
			black	200-0001-00	0.002 kg
for Part No. 781-xxx 782-xxx 931-xxx ... 935- xxx 831-xxx ... 835-xxx	0 - I (60°)	Plastic	black	200-0001-01	0.002 kg
 <p>Front bezel for keylock switch and selector switch 2 positions round, 24 mm</p>					
fits for all Part No.	without marking	Plastic	black	200-8004-00	0.002 kg
			grey	200-7001-00	0.002 kg
for Part No. 761-xxx ... 772-xxx 911-xxx ... 925-xxx 811-xxx ... 825-xxx	0 - I (90°)	Plastic	black	200-8001-00	0.002 kg
			grey	200-7001-00	0.002 kg
for Part No. 781-xxx 782-xxx 931-xxx ... 935- xxx 831-xxx ... 835-xxx	0 - I (60°)	Plastic	black	200-8001-01	0.002 kg

Front bezel for keylock switch and selector switch 3 positions

Additional Information

- Front bezel and switch will be delivered assembled


Product attribute	Marking	Material	Colour	Part No.	Weight
 <p>Front bezel for keylock switch and selector switch 3 positions square, 18 x 18 mm</p>					
fits for all Part No.	without marking	Plastic	grey	200-3004-00	0.002 kg
			black	200-4004-00	0.002 kg
for Part No. 712-xxx	I (90°) - 0 - II (90°)	Plastic	grey	200-3002-00	0.002 kg
			black	200-4002-00	0.002 kg
for Part No. 722-xxx	0 (90°) - I - II (90°)	Plastic	black	200-4003-00	0.002 kg
for Part No. 732-xxx	I (60°) - 0 - II (60°)	Plastic	black	200-4002-02	0.002 kg
 <p>Front bezel for keylock switch and selector switch 3 positions rectangular, 18 x 24 mm</p>					
fits for all Part No.	without marking	Plastic	black	200-6004-00	0.002 kg
for Part No. 712-xxx	I (90°) - 0 - II (90°)	Plastic	grey	200-5002-00	0.002 kg
			black	200-6002-00	0.002 kg
for Part No. 722-xxx	0 (90°) - I - II (90°)	Plastic	grey	200-5003-00	0.002 kg
			black	200-6003-00	0.002 kg
for Part No. 732-xxx	I (60°) - 0 - II (60°)	Plastic	black	200-6002-02	0.002 kg
for Part No. 742-xxx	I (90°) - 0 - II (60°)	Plastic	black	200-6002-03	0.002 kg
for Part No. 752-xxx	I (60°) - 0 - II (90°)	Plastic	black	200-6002-04	0.002 kg
 <p>Front bezel for keylock switch and selector switch 3 positions round, 18 mm</p>					
fits for all Part No.	without marking	Plastic	grey	200-1004-00	0.002 kg
			black	200-2004-00	0.002 kg
for Part No. 712-xxx	I (90°) - 0 - II (90°)	Plastic	black	200-2002-00	0.002 kg
for Part No. 722-xxx	0 (90°) - I - II (90°)	Plastic	black	200-2003-00	0.002 kg
for Part No. 732-xxx	I (60°) - 0 - II (60°)	Plastic	black	200-2002-02	0.002 kg
for Part No. 742-xxx	I (90°) - 0 - II (60°)	Plastic	black	200-2002-03	0.002 kg
 <p>Front bezel for keylock switch and selector switch 3 positions square, 24 x 24 mm</p>					
fits for all Part No.	without marking	Plastic	grey	200-9004-00	0.002 kg
			black	200-0004-00	0.002 kg
for Part No. 712-xxx	I (90°) - 0 - II (90°)	Plastic	black	200-0002-00	0.002 kg
for Part No. 722-xxx	0 (90°) - I - II (90°)	Plastic	grey	200-9003-00	0.002 kg
for Part No. 732-xxx	I (60°) - 0 - II (60°)	Plastic	black	200-0002-02	0.002 kg


Product attribute	Marking	Material	Colour	Part No.	Weight
 <p>Front bezel for keylock switch and selector switch 3 positions round, 24 mm</p>					
fits for all Part No.	without marking	Plastic	black	200-8004-00	0.002 kg
for Part No. 712-xxx	I (90°) - 0 - II (90°)	Plastic	black	200-8002-00	0.002 kg
for Part No. 722-xxx	0 (90°) - I - II (90°)	Plastic	grey	200-7003-00	0.002 kg
			black	200-8003-00	0.002 kg
for Part No. 732-xxx	I (60°) - 0 - II (60°)	Plastic	black	200-8002-02	0.002 kg
for Part No. 742-xxx	I (90°) - 0 - II (60°)	Plastic	black	200-8002-03	0.002 kg

Lever



Additional Information

- Lever and switch will be delivered assembled


Lever	Part No.	Weight
 <p>Lever</p>		
Plastic chrome short	200-.604-00	0.001 kg
Plastic black short	200-.704-00	0.001 kg

Lever	Part No.	Weight
 <p>Lever</p>		
Plastic chrome long	200-.804-00	0.001 kg
Plastic black long	200-.904-00	0.001 kg

Buzzer element

Product attribute	Dimension	Operating voltage	Colour	Part No.	Weight
 <p>Buzzer element</p> <p>for button with front dimension 24 x 24 mm</p>	20.8 x 20.8 mm	12 VAC/DC	black	970-0012-00	0.004 kg
		24 VAC/DC	grey	970-9024-00	0.004 kg
			black	970-0024-00	0.004 kg
 <p>Buzzer element</p> <p>for button with front dimension 18 x 24 mm</p>	15.2 x 21.2 mm	12 VAC/DC	grey	970-5012-00	0.004 kg
			black	970-6012-00	0.004 kg
		24 VAC/DC	grey	970-5024-00	0.004 kg
			black	970-6024-00	0.004 kg






Push-pull knob

Lever	Part No.	Weight
 <p>Push-pull knob</p>		
red transparent	200-.225-00	0.003 kg
green transparent	200-.245-00	0.003 kg
blue transparent	200-.255-00	0.003 kg
white transparent	200-.265-00	0.003 kg
yellow transparent	200-.275-00	0.003 kg

Front bezel

Additional Information

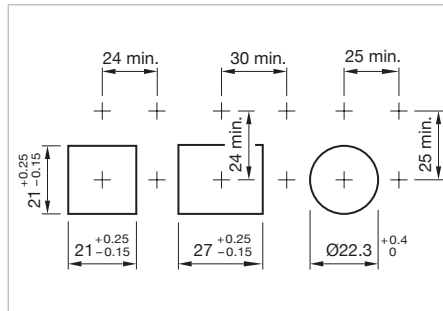
- Front bezel IP 65 is supplied with fitted sealing ring.

Product attribute	Front protection	Front bezel	Part No.	Weight
 <p>Front bezel square, 18 x 18 mm</p>	IP 40	Plastic grey	200-3000-00	0.002 kg
		Plastic black	200-4000-00	0.002 kg
 <p>Front bezel rectangular, 18 x 24 mm</p>	IP 40	Plastic grey	200-5000-00	0.002 kg
		Plastic black	200-6000-00	0.002 kg
 <p>Front bezel round, 18 mm</p>	IP 40	Plastic grey	200-1000-00	0.002 kg
		Plastic black	200-2000-00	0.002 kg
 <p>Front bezel square, 24 x 24 mm</p>	IP 40	Plastic grey	200-9000-00	0.002 kg
		Plastic black	200-0000-00	0.002 kg
	IP 65	Plastic grey	200-9000-W0	0.002 kg
		Plastic black	200-0000-W0	0.002 kg
 <p>Front bezel round, 24 mm</p>	IP 40	Plastic grey	200-7000-00	0.002 kg
		Plastic black	200-8000-00	0.002 kg
	IP 65	Plastic grey	200-7000-W0	0.002 kg
		Plastic black	200-8000-W0	0.002 kg




Front bezel set, flush design, IP 65

Additional Information

- By using these sets, raised pushbuttons can be built in «flat» into operator panels. Please refer to the respective note with each pushbutton
- The mounting depth is increased by 9 mm because of the bezel set



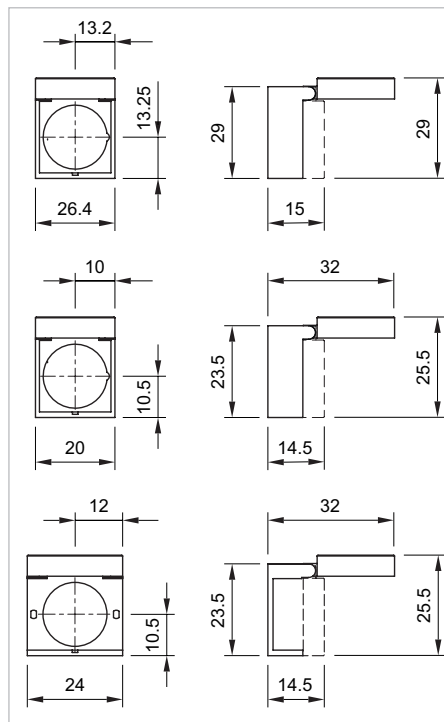
Mounting cut-outs [mm]

Product attribute	Dimension	Front bezel	Part No.	Weight
 <p>Front bezel set, flush design square</p> <p>for button 18 x 18 mm with mounting cut-out 21 x 21 mm</p>	24 x 24 mm	Plastic black	61-9930.0	0.007 kg
 <p>Front bezel set, flush design rectangular</p> <p>for button 18 x 24 mm with mounting cut-out 21 x 27 mm</p>	24 x 30 mm	Plastic black	61-9931.0	0.008 kg
 <p>Front bezel set, flush design round</p> <p>for button $\text{Ø} 18$ mm with mounting cut-out $\text{Ø} 22.5$ mm</p>	$\text{Ø} 25$ mm	Plastic black	200-8400-V0	0.006 kg

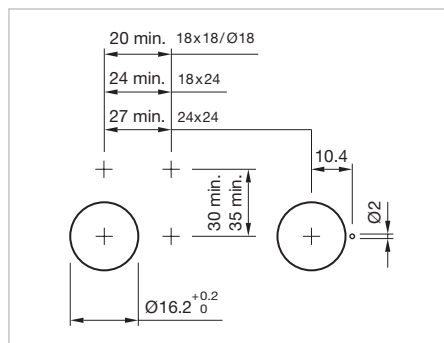
Protective cover raised design

Additional Information

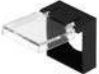


- Hinged, with means for sealing



Dimensions [mm]



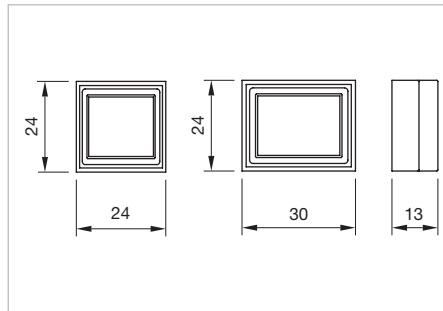
Mounting cut-outs [mm]

Product attribute	Front protection	Dimension	Material	Optic	Part No.	Weight
 <p>Protective cover</p>						
for button 24 x 24 mm with mounting cut-out Ø 16 mm	IP 65	26.5 x 29 mm	Plastic	transparent	61-9920.0	0.006 kg
 <p>Protective cover</p>						
for button 18 x 18 mm with mounting cut-out Ø 16 mm	IP 65	20 x 23.5 mm	Plastic	transparent	51-920	0.002 kg
 <p>Protective cover</p>						
for button 18 x 24 mm with mounting cut-out Ø 16 mm	IP 65	24 x 23.5 mm	Plastic	transparent	51-925	0.002 kg

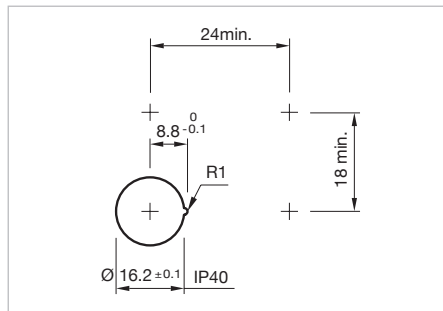
Front protective cap, IP 65

Additional Information


- Two-part, illumination exchangeable from the front
- Front panel thickness reduces by 1 mm
- Please note that bigger minimum distances are necessary






Dimensions [mm]



Mounting cut-outs [mm]

Product attribute	Dimension	Material	Colour	Optic	Part No.	Weight
 Front protective cap						
for button 18 x 18 mm with mounting cut-out Ø 16 mm	24 x 24 mm	PE/Silicone	colourless	transparent	31-923	0.003 kg
for button 18 x 24 mm with mounting cut-out Ø 16 mm	24 x 30 mm	PE/Silicone	colourless	transparent	31-924.2	0.003 kg


Protective guard for illuminated pushbutton

Product attribute	Dimension	Material	Colour	Part No.	Weight
 Protective guard for illuminated pushbutton square					
for button 18 x 18 mm with mounting cut-out Ø16 mm	18 x 18 mm	Aluminium	natural anodized	200-3007-00	0.002 kg
 Protective guard for illuminated pushbutton rectangular					
for button 18 x 24 mm with mounting cut-out Ø16 mm	18 x 24 mm	Aluminium	natural anodized	200-5007-00	0.002 kg
 Protective guard for illuminated pushbutton round					
for button Ø 18 mm with mounting cut-out Ø 16 mm	Ø 18 mm	Aluminium	natural anodized	200-1007-00	0.002 kg

Pressure ring for illuminated pushbutton

Additional Information


- Necessary for front bezel IP 65, Ø 24 mm and 24 x 24 mm

Material	Part No.	Weight
 <p>Pressure ring for illuminated pushbutton</p>		
Plastic	200-8009-W0	0.001 kg

Sealing ring for indicator and illuminated pushbutton

Additional Information


- Necessary for front bezel IP 65, Ø 24 mm and 24 x 24 mm

Material	Part No.	Weight
 <p>Sealing bulb for indicator and illuminated pushbutton</p>		
Silicone	200-7009-W0	0.001 kg








Sealing bulb for indicator and illuminated pushbutton

Additional Information

- Necessary for front bezel IP 65, Ø 24 mm and 24 x 24 mm

Material	Part No.	Weight
 <p>Sealing ring for indicator and illuminated pushbutton</p>		
Silicone	200-9009-W0	0.001 kg


Blind plug

Front protection	Dimension	Mounting cut-out	Material	Colour	Part No.	Weight
	Blind plug					
IP 40	18 x 18 mm	Ø 16 mm	Plastic	black	01-948.0	0.003 kg
	Blind plug					
IP 65	18 x 18 mm	Ø 16 mm	Plastic	black	51-948.0	0.003 kg
	Blind plug					
IP 65	24 x 24 mm	Ø 16 mm	Plastic	black	61-9450.0	0.003 kg
	Blind plug					
IP 40	18 x 24 mm	Ø 16 mm	Plastic	black	01-947.0	0.003 kg
	Blind plug					
IP 65	18 x 24 mm	Ø 16 mm	Plastic	black	51-947.0	0.003 kg
	Blind plug					
IP 40	Ø 18 mm	Ø 16 mm	Plastic	black	01-949.0	0.003 kg
	Blind plug					
IP 65	Ø 18 mm	Ø 16 mm	Plastic	black	51-949.0	0.003 kg

Spare key

Additional Information





- Further lock numbers see «Technical data»
- At ordering indicate marked lock no

Product attribute	Part No.	Weight
 <p>Spare key</p>		
for keylock switch, keylock number B2 300	240-2001-00	0.005 kg
Stop pushbutton, keylock number B2 390	240-3001-00	0.005 kg

Label for emergency-stop and stop switch



Additional Information

- Other options on request

Front protection	Dimension	Marking	Colour	Part No.	Weight
 <p>Label for emergency-stop and stop switch</p>					
IP 40	Ø 43 mm	without	yellow	200-1300-01	0.002 kg
IP 65	Ø 43 mm	without	yellow	61-9970.0	0.002 kg
 <p>Label for emergency-stop and stop switch</p>					
IP 40	Ø 43 mm	NOT-AUS	yellow	200-1300-02	0.002 kg
		NOT HALT	yellow	200-1300-08	0.002 kg
IP 65	Ø 43 mm	NOT-AUS	yellow	61-9970.1	0.002 kg
		NOT HALT	yellow	61-9970.6	0.002 kg
 <p>Label for emergency-stop and stop switch</p>					
IP 40	Ø 43 mm	EMERGENCY STOP	yellow	200-1300-03	0.002 kg
IP 65	Ø 43 mm	EMERGENCY STOP	yellow	61-9970.2	0.002 kg
 <p>Label for emergency-stop and stop switch</p>					
IP 65	Ø 43 mm	ARRET D'URGENCE	yellow	61-9970.3	0.002 kg



Rear side

Snap-action switching element block

Switching voltage	Switching current	Switching system	Contacts	Contact material	Terminal	Part No.	Component layout	Weight
 <p>Snap-action switching element block</p>								
250 VAC	5 A	Snap-action switching element	1 NC + 1 NO	Gold	Solder 2.8 x 0.5 mm	601F0000-00		0.006 kg
			2 NC + 2 NO	Gold	Solder 2.8 x 0.5 mm	602F0000-00		0.006 kg
			1 NC + 1 NO + 1 D	Gold	Solder 2.8 x 0.5 mm	608F0000-00		0.006 kg
 <p>Snap-action switching element block</p>								
250 VAC	5 A	Snap-action switching element	1 NC + 1 NO	Gold	PCB	601F0000-0P	1	0.006 kg
			2 NC + 2 NO	Gold	PCB	602F0000-0P	1	0.006 kg
			1 NC + 1 NO + 2 D	Gold	PCB	609F0000-0P	1	0.006 kg

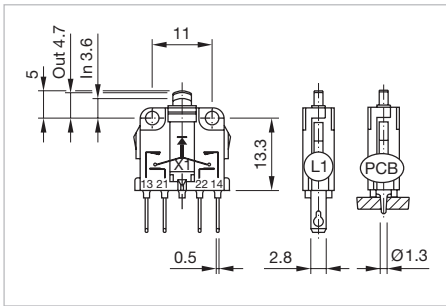
Contacts: NC = Normally closed, NO = Normally open, D = Diode element
The component layouts you will find from page 107

Lamp element block



Terminal	Diode 1N4007	Part No.	Component layout	Weight
 <p>Lamp element block</p>				
Solder 2.8 x 0.5 mm		600-0000-00		0.005 kg
	1	606F0000-00		0.006 kg
	2	607F0000-00		0.006 kg
 <p>Lamp element block</p>				
PCB		600-0000-0P	1	0.005 kg

The component layouts you will find from page 107

Snap-action switching element




Dimensions [mm]



Colour	Switching voltage	Switching current	Switching system	Contacts	Contact material	Terminal	Part No.	Weight
 <p>Snap-action switching element</p>								
black	250 VAC	5 A	Snap-action switching element	1 NC + 1 NO	Gold	Solder 2.8 x 0.5 mm	201F0900-00	0.003 kg
 <p>Snap-action switching element</p>								
black	250 VAC	5 A	Snap-action switching element	1 NC + 1 NO	Gold	PCB	221F0900-0P	0.003 kg

Contacts: NC = Normally closed, NO = Normally open


Blind element

Colour	Part No.	Weight
 <p>Blind element</p>		
white	202F0900-00	0.002 kg



Lamp terminal

Terminal	Part No.	Weight
 <p>Lamp terminal</p>		
Solder 2.8 x 0.5 mm	270-0000-00	0.001 kg
 <p>Lamp terminal</p>		
PCB	270-0000-0P	0.001 kg


Intermediate section

Product attribute	Part No.	Weight
 <p>Intermediate section</p>		
for illuminated pushbutton 55 mm, T1 ¼ MG, incl. fixing nut	260-9000-00	0.005 kg

Holder for 2 switching elements

Product attribute	Material	Part No.	Weight
 <p>Holder for 2 switching elements for push-pull illuminated switch</p>	Plastic	270-2000-00	0.001 kg
 <p>Holder for 2 switching elements for pushbutton, keylock switch, selector switch</p>	Plastic	270-3000-00	0.001 kg


Holder for 3 switching elements

Product attribute	Material	Part No.	Weight
 <p>Holder for 3 switching elements for pushbutton illuminated</p>	Stainless steel	270-1000-00	0.001 kg



Spring with pin

Additional Information

- For maintained version at the intermediate section





Product attribute	Part No.	Weight
 <p>Spring with pin for pushbutton illuminated</p>	260-0010-00	0.001 kg

PCB plug-in base

Product attribute	Dimension	Pins	Terminal	Part No.	Weight
 <p>PCB plug-in base</p>					
3 NC + 3 NO with lamp terminal	19 x 18 x 28.5 mm	right-angled	PCB	280-3200-00	0.006 kg
 <p>PCB plug-in base</p>					
3 NC + 3 NO with lamp terminal	18 x 18 x 11.5 mm	axial	PCB	280-3100-00	0.005 kg

Contacts: NC = Normally closed, NO = Normally open


Flat receptacle

Product attribute	wire cross-section of terminal	Part No.	Weight
 <p>Flat receptacle</p>			
2.8 x 0.5 mm with locating tongue for Multi pug-in housing	0.1 ... 0.25 mm ²	280-0001-00	0.001 kg
 <p>Flat receptacle</p>			
2.8 x 0.5 mm with locating tongue for Multi pug-in housing	0.5 ... 1.0 mm ²	51-943.1	0.001 kg
 <p>Flat receptacle</p>			
2.8 x 0.5 mm without locating tongue, exclusive of Insulation sleeve Part No. 280-0010-00 use	0.2 ... 0.75 mm ²	280-0003-00	0.001 kg
 <p>Flat receptacle with two outputs</p>			
2.8 x 0.5 mm		280-0004-00	0.001 kg

Insulation sleeve

Additional Information

- For flat receptacle without locating tongue
Part No. 280-0003-00

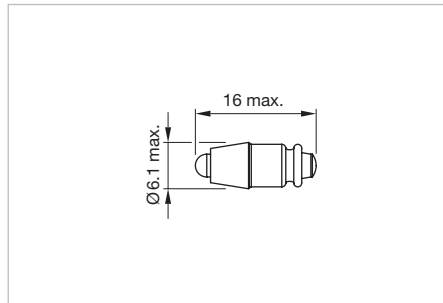
Part No.	Weight
 <p>Insulation sleeve</p>	
280-0010-00	0.001 kg

Illumination


LED T1 3/4 MG


Additional Information

- A suitable lamp remover Part No. 61-9740.0
- When using AC/DC types with AC operation, slight flickering can occur
- Luminous intensity data of the LEDs on direct voltage
- Electrical and optical data are measured at 25 °C
- If the 24VDC Bi-colour lamp is driven with normal polarity (plus on middle contact of the lamp) the first mentioned colour will light up, with inverted polarity the second colour will light up
- The specified versions are built with a protection diode (half wave rectifier) in series and the LED
- Luminosity and wave length variations caused by LED manufacturing processes may cause slight differences regarding the illumination




Dimensions [mm]


LED colour	Operating voltage	Operation current	Lumi. intensity	Dom. wavelength	Part No.	Weight
 <p>Single-LED</p>						
Single-LED red	6 VDC +10 %	15 mA ±15 %	350 mcd	630 nm	10-2J06.3142	0.002 kg
	12 VAC/DC +10 %	7/14 mA ±15 %	330 mcd	630 nm	10-2J09.1062	0.002 kg
	24 VAC/DC +10 %	7/14 mA ±15 %	330 mcd	630 nm	10-2J12.1062	0.002 kg
	28 VAC/DC +10 %	7/14 mA ±15 %	330 mcd	630 nm	10-2J13.1062	0.002 kg
	48 VAC/DC +10 %	4/8 mA ±15 %	200 mcd	630 nm	10-2J19.1042	0.002 kg
Single-LED yellow	6 VDC +10 %	15 mA ±15 %	300 mcd	587 nm	10-2J06.3144	0.002 kg
	12 VAC/DC +10 %	7/14 mA ±15 %	280 mcd	587 nm	10-2J09.1064	0.002 kg
	24 VAC/DC +10 %	7/14 mA ±15 %	280 mcd	587 nm	10-2J12.1064	0.002 kg
	28 VAC/DC +10 %	7/14 mA ±15 %	280 mcd	587 nm	10-2J13.1064	0.002 kg
	48 VAC/DC +10 %	4/8 mA ±15 %	180 mcd	587 nm	10-2J19.1044	0.002 kg
Single-LED green	6 VDC +10 %	7 mA ±15 %	1050 mcd	525 nm	10-2J06.3145	0.002 kg
	12 VAC/DC +10 %	4/7 mA ±15 %	1050 mcd	525 nm	10-2J09.1065	0.002 kg
	24 VAC/DC +10 %	4/7 mA ±15 %	1050 mcd	525 nm	10-2J12.1065	0.002 kg
	28 VAC/DC +10 %	4/7 mA ±15 %	1050 mcd	525 nm	10-2J13.1065	0.002 kg
	48 VAC/DC +10 %	2/4 mA ±15 %	600 mcd	525 nm	10-2J19.1045	0.002 kg
Single-LED blue	6 VDC +10 %	15 mA ±15 %	680 mcd	470 nm	10-2J06.3146	0.002 kg
	12 VAC/DC +10 %	7/14 mA ±15 %	650 mcd	470 nm	10-2J09.1066	0.002 kg
	24 VAC/DC +10 %	7/14 mA ±15 %	650 mcd	470 nm	10-2J12.1066	0.002 kg
	28 VAC/DC +10 %	7/14 mA ±15 %	650 mcd	470 nm	10-2J13.1066	0.002 kg
	48 VAC/DC +10 %	4/8 mA ±15 %	400 mcd	470 nm	10-2J19.1046	0.002 kg
Single-LED white	6 VDC +10 %	6 mA ±15 %	900 mcd	x0.31/y0.32 nm	10-2J06.3149	0.002 kg
	12 VAC/DC +10 %	3/6 mA ±15 %	900 mcd	x0.31/y0.32 nm	10-2J09.1069	0.002 kg
	24 VAC/DC +10 %	2.5/5 mA ±15 %	750 mcd	x0.31/y0.32 nm	10-2J12.1069	0.002 kg
	28 VAC/DC +10 %	2.5/5 mA ±15 %	750 mcd	x0.31/y0.32 nm	10-2J13.1069	0.002 kg
	48 VAC/DC +10 %	2/4 mA ±15 %	600 mcd	x0.31/y0.32 nm	10-2J19.1049	0.002 kg

LED colour	Operating voltage	Operation current	Lumi. intensity	Dom. wavelength	Part No.	Weight
 <p>Bi-colour LED</p>						
Bi-colour LED red/green	24 VDC +10 %	15/14 mA ±15 %	600/630 mcd	625/525 nm	10-A312.314A	0.002 kg

Filament lamp

Operating voltage	Operation current	Part No.	Weight
 <p>Filament lamp</p>			
6.3 VAC/DC	200 mA±10 %	10-1307.1369	0.001 kg
14 VAC/DC	80 mA±10 %	10-1310.1319	0.001 kg
28 VAC/DC	40 mA±10 %	10-1313.1249	0.001 kg
36 VAC/DC	30 mA±10 %	10-1316.1209	0.001 kg
48 VAC/DC	25 mA±10 %	10-1319.1199	0.001 kg


Diode element

Diode 1N4007	Terminal	Part No.	Weight
 <p>Diode element</p>			
2	Solder 2.8 x 0.5 mm	213F0900-00	0.003 kg

Series resistor

Additional Information


- For lamp voltage reduction
- For filament lamp 48 V, 1.2 W
- Keep to the country specific safety instructions

Operating voltage	Resistance	Part No.	Weight
 <p>Series resistor</p>			
110 V	2.7 kOhm	300-0010-00	0.002 kg
125 V	3.3 kOhm	300-0020-00	0.002 kg
240 V	10 kOhm	300-0050-00	0.002 kg

Terminal plate empty


Additional Information

- For fitting with series resistors

Product attribute	Dimension	Part No.	Weight
 <p>Terminal plate empty</p>			
5 spaces	62.5 x 60 x 15 mm	02-912.1	0.025 kg
10 spaces	125 x 60 x 15 mm	02-912.2	0.045 kg
15 spaces	187.5 x 60 x 15 mm	02-912.3	0.09 kg
20 spaces	250 x 60 x 15 mm	02-912.4	0.095 kg

Mounting


Fixing nut

Product attribute	Material	Colour	Part No.	Weight
 <p>Fixing nut</p>				
Panel thickness 1 to 3 mm, for devices with 30 - 70 mm behind panel depth	Plastic	grey	260-0001-00	0.001 kg
Panel thickness 3 to 5 mm, for devices 30 - 70 mm behind panel depth	Plastic	grey	260-0002-00	0.001 kg
Panel thickness 5 to 7 mm, for devices with 30 - 70 mm behind panel depth	Plastic	grey	260-0005-00	0.001 kg
Panel thickness 1 to 3 mm, for devices with 35 mm behind panel depth	Plastic	black	260-0003-00	0.001 kg


Anti-rotation location strip

Additional Information

- All devices without Emergency-stop pushbutton foolproof

Product attribute	Part No.	Weight
 <p>Anti-rotation location strip</p>		
Anti-twist device, in-line arrays or single switches, graduation 18 mm	260-0020-00	0.001 kg
Anti-twist device, in-line arrays or single switches, graduation 24 mm	260-0021-00	0.001 kg


Lens remover

Part No.	Weight
 <p>Lens remover</p>	
300-0001-00	0.012 kg

Lamp remover

Additional Information


- ▲ **Caution:** A switching process might be released when replacing the lamp

Part No.	Weight
 <p>Lamp remover</p>	
61-9740.0	0.003 kg


Mounting tool

Additional Information

- For tightening or loosening of the fixing nut (at dismantled Element block)


Part No.	Weight
 <p>Mounting tool</p>	
300-0003-00	0.007 kg

Dismantling tool for emergency-stop switch, foolproof

Part No.	Weight
 <p>Dismantling tool for emergency-stop switch, foolproof</p>	
61-9711.0	0.004 kg


Contact element pliers**Additional Information**

- For dismantling the switching elements off the holder for 3 switching elements

Part No.	Weight
 <p>Contact element pliers</p>	
300-0005-00	0.013 kg


Jaw spanner**Additional Information**

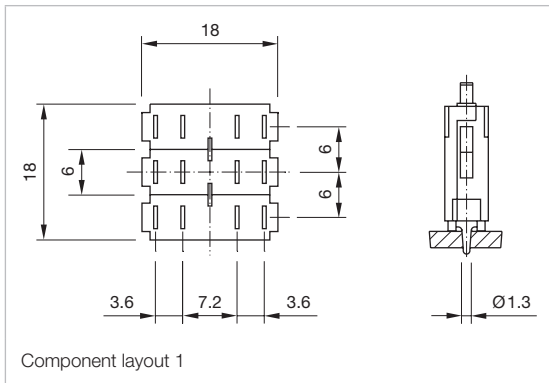
- For tightening or loosening fixing nut and dismantling of the element blocks (mounting depth 35 - 70 mm)

Part No.	Weight
 <p>Jaw spanner</p>	
300-0004-00	0.003 kg

Flat receptacle remover**Additional Information**

- For removing the flat receptacle from the multi-plug housing (Part No. 280-0000-00)

Part No.	Weight
 <p>Flat receptacle remover</p>	
51-943.9	0.001 kg



Device

General

Swisstac switches are modularly designed. They are divided in three groups:

1. Front
Interface Human-Switch with state detector.
2. Intermediate section
Set and reset device, lamp holder, latching funktion.
3. Switching element block
Up to 3 switching elements can be integrated in a switching element block.

Each switch is tested fully mounted. Electrical output and service life are determined by the switching element. Front and intermediate section are designed for maximum service life of the switching element. They determine in what way the switches are protected against external influences. The type approvals relate to the complete switch.

Environmental conditions

Shock resistance

(single impacts, semi-sinusoidal)
500m/s², puls width 11 ms, as per EN IEC 60068-2-27
max. 150m/s², pulse width 11 ms, as per EN IEC 60068-2-29

Vibration resistance

(sinusoidal)
max. 100m/s² at 10Hz...500Hz, as per EN IEC 60068-2-6

Approvals

Approbations

CSA
ENEC (EN 61058)
UL
VDE

Declaration of conformity

CE

Front

General

The front notifies the switching status, serves for activation of the switch and determines its type of protection. With the exception of the front 18 mm dia. of the illuminated pushbuttons 55, all front bezel elements have activation protection.

Material

Lens

Polycarbonate (PC)

Front bezel

Polybutylene terephthalate (PBT)

Actuator 35 mm

Polybutylene terephthalate (PBT)

Lock housing

Polybutylene terephthalate (PBT)

Lock cylinder

Polybutylenterephthalat reinforced with carbon fibre (PBT)
sealing bulb IP 65 (Silicone)

Environmental conditions

Protection degree

IP 65 or IP 40, as per EN IEC 60529

Intermediate section

General

The intermediate section integrates characteristics as setting, reset function and click-stop device. Besides all for a switch necessary parts, like front parts, switching block and lamps, are fastened at the intermediate section.

Material

Housing

Polycarbonate (PC)

Lamp terminal

Nickel silver

Mechanical characteristics

Mechanical lifetime

Illuminated pushbutton	> 2 million cycles of operation
Keylock- and Selector switch	> 50 000 cycles of operation
Emergency-stop switch	> 8000 cycles of operation
Illuminated push-pull switch	> 250 000 cycles of operation

Electrical characteristics

Electric strength

3750VAC, 50Hz, 1 min., as per EN IEC 61058-1

Isolation resistance

> 1012Ω as per DIN IEC 60512-2-10

Environmental conditions

Storage temperature

-40 °C ... +85 °C, as per EN IEC 60068

Operating temperature

-25 °C ... +55 °C, as per EN IEC 60068-2

Switching element block

General

Up to five independent switching elements can be integrated in the switching element block as a switching unit. There are four different types of elements available.

1. Snap-action switching element
2. Slow-make Stop switching element
3. Diode element
4. Blind element

Material

Holder for 2 switching elements

Polyamide (PA 6)

Holder for 3 switching elements

Stainless steel

Lamp terminal

CuBe, 2 µm Optalloy

Mechanical characteristics

Terminals

Soldering terminal (also pluggable 2.8 x 0.5 mm) or PCB terminal, Brass gold plated
Wire cross-section 1.0 mm² max.

Electrical characteristics

Electric strength

2500 VAC, 50 Hz, 1 min. (functional isolation)

Isolation resistance

> 10¹² Ω

Snap-action switching element

Switching system

Is equipped with double-break jump contacts. Owing to the large cleaning path, outstanding self-cleaning is possible. The multilayer contacts are designed for universal use. They are gilded with a 2 µm gold coating. Each snap-action switching element comprises a NC (normally closed contact) and a NO (normally open contact).

Material

Housing

Frianyl (PA6)

Contacts

AgNi, 2 µm gold plated

Contact carrier

Brass or CuBe

Mechanical characteristics

Terminals

Soldering terminal (also pluggable 2.8 x 0.5 mm) or PCB terminal, Brass gold plated
Wire cross-section 1.0 mm² max.

Actuating force

For each snap-action switching element approx. 2 N

Rebound time

typically 0.5 µs

Contact opening width

2 x 0.65 mm

Contact cleaning path

2 x 0.6 mm

Mechanical lifetime

2 million cycles of operation

Electrical characteristics

Contact resistance

New state with gold plated contact ≤ 50 mΩ, statically

Electrical life

> 10 000 cycles of operation

EN IEC 60947-5-1, AC-12

Voltage	24 V	48 V	75 V	110 V	250 V
Current	5 A	5 A	5 A	2 A	0.5 A

EN IEC 61058-1 (inductive)

Voltage	250 V
Current	1.5 A

Conventional free air thermal current I_{th}

5 A from 1 to 3-poles switching element block

Switch rating

as per EN IEC 61058-1

250 V, 5 A (non-inductive) up to 3 switching elements

250 V, 1.5 A (inductive) up to 3 switching elements

5 VAC/DC, 1 mA min.

Environmental conditions
Storage temperature

-40 °C ... +85 °C, as per EN IEC 60068

Operating temperature

-25 °C ... +55 °C, as per EN IEC 60068-2

Slow-make switching element Stop switch
Switching system

Is equipped with rigid contact link. The slow-make element opens positively and simply consists of a double-break NC. The multi-layer contacts are designed for universal use and are gilded with a 2 µm gold coating. The Stop slow-make element is designed according to EN IEC 60947-5-1.

Material
Housing

Frianyl (PA6)

Contacts

AgNi, 2 µm gold plated

Contact carrier

Brass or CuBe

Mechanical characteristics
Terminals

Soldering terminal (also pluggable 2.8 x 0.5 mm) or PCB terminal, Brass gold plated

 Wire cross-section 1.0 mm² max.

Contact opening width

> 2 x 1.5 mm

Mechanical lifetime

8000 cycles of operation

Electrical characteristics
Rated Operational Voltage U_o

250 VAC, as per EN IEC 60947-1

Rated Insulation Voltage U_i

250 V, as per EN IEC 60947-1

Electrical life

8000 cycles of operation at 250 VAC, 1 A

Conventional free air thermal current I_{th}

5 A, as per EN IEC 60947-5-1

Switch rating

Switch rating AC with silver contact (gold plated),

250 VAC, 1 A, service category AC-15, as per EN IEC 60947-5-1

Short-circuit protection

Series-connected blow-out fuse 5 A gL

Environmental conditions
Storage temperature

-40 °C ... +85 °C, as per EN IEC 60068

Operating temperature

-25 °C ... +55 °C, as per EN IEC 60068-2

Diode element
General

No switching function. Diodes are soldered into the switching element housing between the contact connections.

Material
Housing

Frianyl (PA6)

Mechanical characteristics
Terminals

Soldering terminal (also pluggable 2.8 x 0.5 mm),

Brass gold plated

 Wire cross-section 1.0 mm² max.

Electrical characteristics
Diode

1N4007, rated current = 1.0 A, VRRM = 1000 V

Blind element

General

Insert in empty places in the switching element block. Nonconducting and without electrical function.

Material

Housing

Polybutylene terephthalate (PBT)

Buzzer

General

Device with reverse-connect protection.

Electrical characteristics

Operating voltage

6, 12 and 24 V AC/DC $\pm 10\%$

Power consumption

approx. 13 mA

Acoustics

approx. 84 dB at 0.1 m

Frequency (tone)

approx. 2.3 kHz

Mechanical characteristics

Terminals

Soldering terminal (also pluggable 2.8 x 0.5 mm) or PCB terminal, Brass gold plated
Wire cross-section 1.0 mm² max.

Emergency-stop switch foolproof

Switching system

Self cleaning, double-break slow-make element with four-path contacts (contact opening width 2 x 1.5 mm). The slow-make elements are constructed as per EN IEC 60947-5-1.

Tightening torque

for fixing nut max. 50 Ncm

Unlock torque

15 Ncm

Actuating travel

10 mm

Rebound time

≤ 2 ms

Mechanical lifetime

50 000 cycles of operations

Material

Mushroom-head cap

Polyamide (PA6)

Actuator housing

Polyamide (PA66)

Switching element

Polyamide (PA + PA66)

Material of contact

Silver (Ag)

Electrical characteristics

Rated Operational Voltage U_e

250 VAC, as per EN IEC 60947-1

Rated Insulation Voltage U_i

300 VAC, as per EN IEC 60947-5-1

Contact resistance

New state ≤ 50 m Ω , as per DIN IEC 60512-2-5

Electrical life

6050 cycles of operation

Mechanical characteristics

Terminals

Soldering terminal
max. wire-cross section 2 x 1.0 mm²
max. wire-cross section of stranded cable 1 x 0.75 mm²
also pluggable 2.8 x 0.5 mm

Actuating force

max. 65 N (measured on mushroom-head cap)

Conventional free air thermal current I_{th}

5 A, as per EN IEC 60947-5-1

the maximum current in continuous operation and at ambient temperature must not exceed the quoted maximum values.

Switch rating

Switch rating AC (inductive) with silver contact, service category AC-13, as per EN IEC 60947-5-1

Voltage	24 VAC	60 VAC	120 VAC	250 VAC
Current	6 A	6 A	5 A	3 A

Switch rating AC (inductive) with silver contact, service category AC-14, as per EN IEC 60947-5-1

Current	24 VAC	60 VAC	120 VAC	250 VAC
Voltage	5 A	4 A	3 A	2 A

Switch rating (non-inductive) with silver contact

Voltage	24 VDC	60 VDC	110 VDC	240 VDC
Current	6 A	2 A	0.7 A	0.5 A

Switch rating DC with silver contact, service category DC-13, as per EN IEC 60947-5-1

Voltage	24 VDC	60 VDC	110 VDC	240 VDC
Current	2 A	1 A	0.4 A	0.2 A

Recommended minimum operational data

Silver contact (Soldering terminal) 20 VAC/DC, 100 mA

Electric strength

4000 VAC, 50 Hz, 1 min., as per DIN IEC 60512-2 between all terminals and earth

Short-circuit protection

Series-connected blow-out fuse 10 A gL

Overvoltage category

III, as per EN IEC 60947-5-1

Degree of pollution

3, as per EN IEC 60947-1

Environmental conditions

Storage temperature

-40 °C ... +85 °C, as per EN IEC 60068

Operating temperature

-25 °C ... +55 °C, as per EN IEC 60068-2

Shock resistance

(single impacts, semi-sinusoidal)

500 m/s² puls width 11 ms, as per EN IEC 60068-2-27

Vibration resistance

(sinusoidal)

max. 100 m/s² at 10 Hz ... 2000 Hz, amplitude 0.75 mm, as per EN IEC 60068-2-6

Protection degree

as per EN IEC 60529

Frontside IP 65, backside IP 40

Approvals

Approbations

CSA

UL

VDE

Declaration of conformity

CE

Keylock switch

Standard lock number is B2 300 (Part No. 240-2001-00).

Further locks are available.

By order please use the ordersheet on the website

www.eao.com/downloads

Stop switch with key to release

Standard lock number is B2 390 (Part No. 240-3001-00).

Further locks are available.

By order please use the ordersheet on the website

www.eao.com/downloads

Emergency-stop switch, foolproof with key to release

Standard lock number is KABA 1001 (Part No. 240-4001-00),

other lock numbers on request.

Spare keys may be ordered under Part No. 240-4001-00 1001.

EAO reserves the right to alter specifications without further notice.

General notes

Engraving

The lens top or lens holder can be engraved in the most commonly used world languages, in DIN 1451-3 close spacing, other typefaces are available. Colour lettering White for lens tops red, blue, green and black. Black for lens tops orange, yellow, grey and white. Black for lens holders translucent and transparent.

Important: With engraving, the position of the lens must agree with the position of the pushbutton or indicator. However, the lens can be mounted turned through 180°.

Hot stamping

For lettering any sizeable quantity we recommend pad printing on the lens holder.

Important: With pad printing, the position of the lens must agree with the position of the pushbutton or indicator. However, the lens can be mounted turned through 180°.

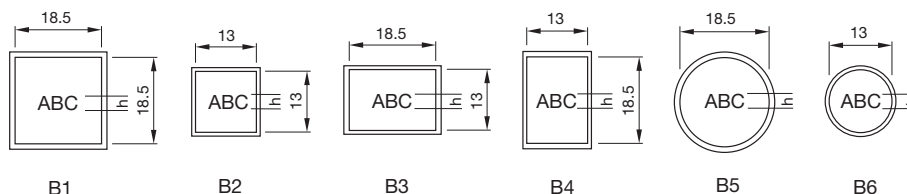
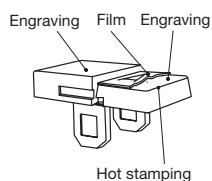
Film inserts

Instead of engraving, a transparent foil can be laid in the lens tops, except with the colours grey and black. Film thickness is 0.1 mm max.

Important: When a foil is used, the position of the lens must agree with the position of the pushbutton or indicator. However, the lens can be mounted turned through 180°. With round lenses the film can rotate.

All dimensions in mm

Front size	Film insert max. size	Height of letters h	Number of lines	Number of capital letters per line (target value)	Image
18 x 18 (15.3 x 15.3)	12.7 x 12.7	2.5	3	5	B2
		3.0	3	5	B2
		4.0	2	3	B2
		5.0	1	3	B2
18 x 24 horizontal position	12.7 x 18.9	2.5	3	8	B3
		3.0	3	8	B3
		4.0	2	5	B3
		5.0	1	5	B3
18 x 24 vertical position	12.7 x 18.9	2.5	5	5	B4
		3.0	4	5	B4
		4.0	3	3	B4
		5.0	2	3	B4
24 x 24	18.3 x 18.3	2.5	5	8	B1
		3.0	4	8	B1
		4.0	3	6	B1
		5.0	2	5	B1
Ø 18	Ø 12.7	2.5	2	5	B6
		3.0	2	5	B6
		4.0	1	3	B6
		5.0	1	2	B6
Ø 24	Ø 18.3	2.5	4	7	B5
		3.0	3	7	B5
		4.0	3	4	B5
		5.0	2	3	B5



55 Application guidelines

Suppressor circuits

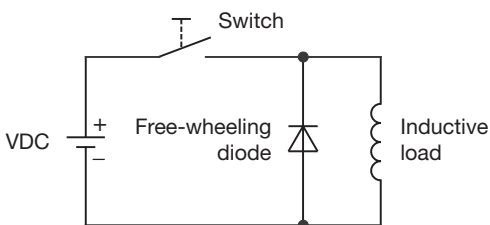
When switching inductive loads such as relays, DC motors, and DC solenoids, it is always important to absorb surges (e.g. with a diode) to protect the contacts. When these inductive loads are switched off, a counter emf can severely damage switch contacts and greatly shorten lifetime.

Fig. 1 shows an inductive load with a free-wheeling diode connected in parallel. This free-wheeling diode provides a path for the inductor current to flow when the current is interrupted by the switch. Without this free-wheeling diode, the voltage across the coil will be limited only by dielectric breakdown voltages of the circuit or parasitic elements of the coil. This voltage can be kilovolts in amplitude even when nominal circuit voltages are low (e.g. 12VDC) see Fig. 2.

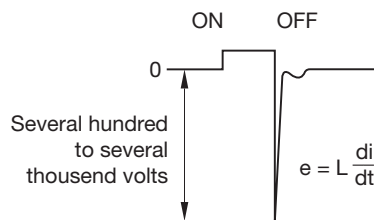
The free-wheeling diode should be chosen so that the reverse breakdown voltage is greater than the voltage driving the inductive load. The DC blocking voltage (VR) of the free-wheeling diode can be found in the datasheet of a diode. The forward current should be equal or greater than the maximum current flowing through the load.

To get an efficient protection, the free-wheeling diode must be connected as close as possible to the inductive load!

Switching with inductive load
Fig. 1



Counter EMF
over load without free-wheeling diode
Fig. 2



General notes

Switch interlock systems do away with complicated protective and relay interlocks.

SWISSTAC switches with mounting depths of 55 mm can be combined into interlocking systems of up to 4 switches. The switches are mechanically interlocked. There are two types to choose from:

- 1. Switch interlock system with pushbutton**
- 2. Switch interlock system with keylock switch**

The distance separating switches in an interlock system can be increased in steps of 6 mm to 30 mm from a minimum of 18 mm

(between switch centre-lines). Irregular spacings and/or blanks in a system are also possible. No special cutouts in the fascia panel are required, as the hole patterns match the individual switches.

All switch interlock systems are supplied ready for mounting. Splash-proof versions are obtainable with bezels of Ø 24 mm or 24 x 24 mm. The interlock system withstands a pressure of at least 50 N.

Variants of switch interlock system

For each type of switch interlock system there is a choice of different variants:

Variant 1

Momentary action possible only with one pushbutton at a time, as the buttons are interactively blocked mechanically.

Variant 2

Maintained action of one pushbutton at a time. This blocks the other buttons mechanically and is only released by pressing the actuated pushbutton again.

Variant 3

Maintained action of one pushbutton at a time. If an other button is pressed, the first resets. One button is normally always "On".

Variant 4

Maintained action of one pushbutton at a time. If an other button is pressed, the first resets. The release button cancels the "On" condition.

Variant 5

Maintained action of one or more pushbuttons pressed simultaneously. If one or more buttons are operated simultaneously, the button or group of buttons pressed before are reset. Switching "Off" is done only with the release button.

Variant 6

Maintained action of one pushbutton at a time. Another button cannot be operated until the first has been reset with the release button. All buttons are then at "Zero".

Variant 7

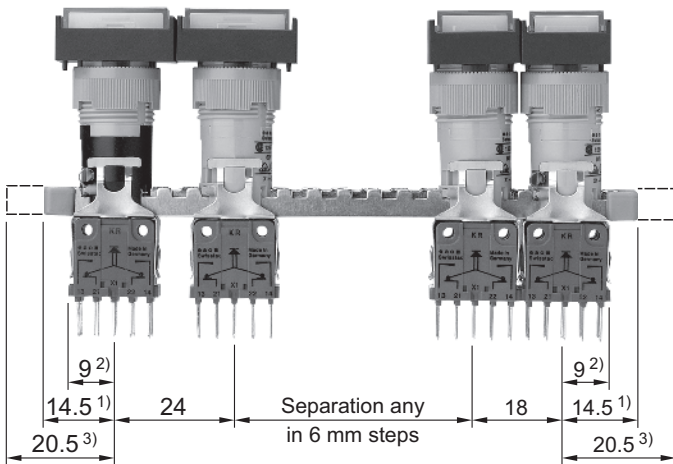
Maintained action of any one switch, which can also be operated one after the other. Actuated buttons can only be reset with the release button.

Action	Variant						
	1	2	3	4	5	6	7
latching		●	●	●	●	●	●
mutual mechanical release			●	●	●		
individual release by pressing again		●					
all released with release button				●	●	●	●
mutual mechanical blocking	●	●	●	●		●	

55 Application guidelines

Switch interlock system with pushbutton

All dimensions in mm

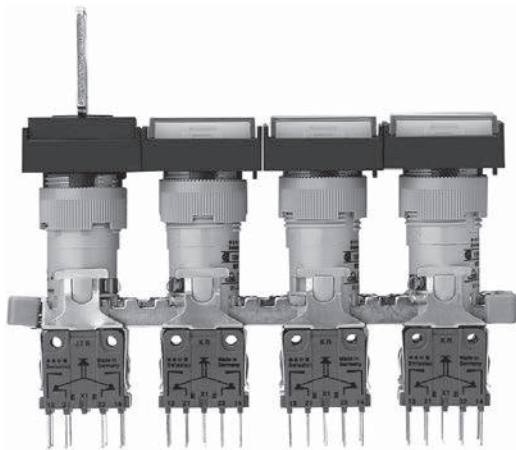


Centre line (CL) spacing		
1	for variants 1, 3-7	14.5 mm
2	for variants 1, 3-7	reduction to 9.0 mm at extra cost
3	for variant 2	at least 20.5 mm

Standard switch interlock system with keylock switch

Including keylock switches in a switch interlock system with mechanical blocking and release functions allows close supervision of the switches status, and restricts operation to authorized personnel.

For dimensions, see Standard switch interlock system.
All dimensions in mm



There is a choice of three types of switch interlock systems with keylock switch. They differ according to their function:

1	Controls switching "On" Possible with variants 3, 4, 6	Zero position: Unrestricted operation. Maintained action position: Resets actuated switches to zero position and the same time blocks all switches.
2	Controls switching "Off" Possible for variants 6, 7	Zero position: Switching "On" is possible. Momentary action position: Turning the keylock switch to the momentary action position resets the actuated switches to the zero position (keylock switch with momentary action mode replaces release button).
3	Controls switching "On" and "Off" Possible for variants 1-7	Zero position: Unrestricted operation. Maintained action position: Locks all switches at their present setting.

Information for order

The ordersheet you will find on the website
www.eao.com/downloads

Index of Part No.

Part No.	Page	Part No.	Page	Part No.	Page	Part No.	Page	Part No.	Page	Part No.	Page
01-947.0	74	200-2001-00	65	200-7220-00	62	51-943.1	80	712F.401-0P	44	761F.401-0P	37
01-948.0	74	200-2001-01	65	200-7220-W0	64	51-947.0	74	712F.401-0P	46	761F.401-W0	25
01-949.0	74	200-2002-00	66	200-7240-W0	64	51-948.0	74	712F.401-0P	48	761F.401-W0	28
02-912.1	84	200-2002-02	66	200-8000-00	69	51-949.0	74	712F.401-W0	41	761F.401-W0	31
02-912.2	84	200-2002-03	66	200-8000-W0	69	561-8101-W0	23	712F.401-W0	43	761F.401-W0	34
02-912.3	84	200-2003-00	66	200-8001-00	65	562-8101-W0	23	712F.401-W0	45	761F.401-W0	37
02-912.4	84	200-2004-00	65	200-8001-01	65	562-8110-W0	24	712F.401-W0	47	761F.401-WP	25
10-1310.1319	83	200-2004-00	66	200-8002-00	67	563-8101-W0	23	712F.401-W0	49	761F.401-WP	28
10-1313.1249	83	200-3000-00	69	200-8002-02	67	600-0000-00	76	712F.401-WP	41	761F.401-WP	31
10-1316.1209	83	200-3002-00	66	200-8002-03	67	600-0000-0P	76	712F.401-WP	43	761F.401-WP	34
10-1319.1199	83	200-3004-00	65	200-8004-00	65	600-1110-00	61	712F.401-WP	45	761F.401-WP	37
10-2J06.3142	82	200-3004-00	66	200-8004-00	67	600-1120-00	61	712F.401-WP	47	761F.700-00	50
10-2J06.3144	82	200-3007-00	72	200-8009-W0	73	600-1140-00	61	712F.401-WP	49	761F.700-00	52
10-2J06.3145	82	200-3110-00	63	200-8400-V0	70	600-1150-00	61	722F.401-00	40	761F.700-00	54
10-2J06.3146	82	200-3120-00	63	200-9000-00	69	600-1160-00	61	722F.401-00	42	761F.700-00	56
10-2J06.3149	82	200-3140-00	63	200-9000-W0	69	600-1170-00	61	722F.401-00	44	761F.700-00	58
10-2J09.1062	82	200-3150-00	63	200-9001-00	65	600-1180-00	61	722F.401-00	46	761F.700-0P	50
10-2J09.1064	82	200-3160-00	63	200-9003-00	66	600-1190-00	61	722F.401-00	48	761F.700-0P	52
10-2J09.1065	82	200-3170-00	63	200-9004-00	65	600-2000-00	13	722F.401-0P	40	761F.700-0P	54
10-2J09.1066	82	200-3190-00	63	200-9004-00	66	600-2000-W0	13	722F.401-0P	42	761F.700-0P	56
10-2J09.1069	82	200-3210-00	63	200-9009-W0	73	600-3110-00	61	722F.401-0P	44	761F.700-0P	58
10-2J12.1062	82	200-3220-00	63	200-9110-00	62	600-3120-00	61	722F.401-0P	46	761F.700-W0	50
10-2J12.1064	82	200-3240-00	63	200-9120-00	62	600-3140-00	61	722F.401-0P	48	761F.700-W0	52
10-2J12.1065	82	200-3250-00	63	200-9120-W0	63	600-3150-00	61	722F.401-W0	41	761F.700-W0	54
10-2J12.1066	82	200-3260-00	63	200-9140-00	62	600-3160-00	61	722F.401-W0	43	761F.700-W0	56
10-2J12.1069	82	200-3270-00	63	200-9140-W0	63	600-3170-00	61	722F.401-W0	45	761F.700-W0	58
10-2J13.1062	82	200-4000-00	69	200-9150-00	62	600-3180-00	61	722F.401-W0	47	761F.700-WP	50
10-2J13.1064	82	200-4001-00	65	200-9150-W0	63	600-3190-00	61	722F.401-W0	49	761F.700-WP	52
10-2J13.1065	82	200-4001-01	65	200-9160-00	62	600-4000-00	12	732F.401-00	40	761F.700-WP	54
10-2J13.1066	82	200-4002-00	66	200-9160-W0	63	600-4000-W0	12	732F.401-00	42	761F.700-WP	56
10-2J13.1069	82	200-4002-02	66	200-9170-00	62	600-5110-00	61	732F.401-00	44	761F.700-WP	58
10-2J19.1042	82	200-4003-00	66	200-9170-W0	63	600-5120-00	61	732F.401-00	46	762F.401-00	25
10-2J19.1044	82	200-4004-00	65	200-9190-00	62	600-5140-00	61	732F.401-00	48	762F.401-00	28
10-2J19.1045	82	200-4004-00	66	200-9210-00	62	600-5150-00	61	732F.401-0P	40	762F.401-00	31
10-2J19.1046	82	200-5000-00	69	200-9220-00	62	600-5160-00	61	732F.401-0P	42	762F.401-00	34
10-2J19.1049	82	200-5001-00	65	200-9220-W0	63	600-5170-00	61	732F.401-0P	44	762F.401-00	37
10-A312.314A	83	200-5002-00	66	200-9240-00	62	600-5190-00	61	732F.401-0P	46	762F.401-0P	25
200-.225-00	68	200-5003-00	66	200-9240-W0	63	600-6000-00	12	732F.401-0P	48	762F.401-0P	28
200-.245-00	68	200-5007-00	72	200-9260-00	62	600-6000-W0	12	732F.401-W0	41	762F.401-0P	31
200-.255-00	68	200-5110-00	63	200-9260-W0	63	601F0000-00	76	732F.401-W0	43	762F.401-0P	34
200-.265-00	68	200-5120-00	63	200-9270-00	62	601F0000-0P	76	732F.401-W0	45	762F.401-0P	37
200-.275-00	68	200-5140-00	63	201F0900-00	77	602F0000-00	76	732F.401-W0	47	762F.401-W0	29
200-.604-00	67	200-5150-00	63	202F0900-00	78	602F0000-0P	76	732F.401-W0	49	762F.401-W0	26
200-.704-00	67	200-5160-00	63	213F0900-00	83	606F0000-00	76	742F.401-00	40	762F.401-W0	32
200-.804-00	67	200-5170-00	63	221F0900-0P	77	607F0000-00	76	742F.401-00	42	762F.401-W0	35
200-.904-00	67	200-5180-00	63	240-2001-00	75	608F0000-00	76	742F.401-00	44	762F.401-W0	38
200-0000-00	69	200-5190-00	63	240-3001-00	75	609F0000-0P	76	742F.401-00	46	762F.700-00	50
200-0000-W0	69	200-5210-00	63	260-0001-00	85	61-9450.0	74	742F.401-00	48	762F.700-00	52
200-0001-00	65	200-5220-00	63	260-0002-00	85	61-9711.0	86	742F.401-W0	41	762F.700-00	54
200-0001-01	65	200-5240-00	63	260-0003-00	85	61-9740.0	86	742F.401-W0	43	762F.700-00	56
200-0002-00	66	200-5250-00	63	260-0005-00	85	61-9920.0	71	742F.401-W0	45	762F.700-00	58
200-0002-02	66	200-5260-00	63	260-0010-00	79	61-9930.0	70	742F.401-W0	47	762F.700-0P	50
200-0004-00	65	200-5270-00	63	260-0020-00	85	61-9931.0	70	742F.401-W0	49	762F.700-0P	52
200-0004-00	66	200-6000-00	69	260-0021-00	85	61-9970.0	75	742F.401-WP	41	762F.700-0P	54
200-1000-00	69	200-6001-00	65	260-9000-00	78	61-9970.1	75	742F.401-WP	43	762F.700-0P	56
200-1001-00	65	200-6001-01	65	270-0000-00	78	61-9970.2	75	742F.401-WP	45	762F.700-0P	58
200-1004-00	65	200-6002-00	66	270-0000-0P	78	61-9970.3	75	742F.401-WP	47	762F.700-W0	50
200-1004-00	66	200-6002-02	66	270-1000-00	79	61-9970.6	75	742F.401-WP	49	762F.700-W0	52
200-1007-00	72	200-6002-03	66	270-2000-00	79	680-2000-00	13	752F.401-00	40	762F.700-W0	54
200-1110-00	64	200-6002-04	66	270-3000-00	79	680-2000-W0	13	752F.401-00	42	762F.700-W0	56
200-1120-00	64	200-6003-00	66	280-0001-00	80	680-4000-00	12	752F.401-00	44	762F.700-W0	58
200-1140-00	64	200-6004-00	65	280-0003-00	80	680-4000-W0	12	752F.401-00	46	762F.700-WP	50
200-1150-00	64	200-6004-00	66	280-0004-00	80	680-6000-00	12	752F.401-00	48	762F.700-WP	52
200-1160-00	64	200-7000-00	69	280-0010-00	81	680-6000-W0	12	752F.401-0P	40	762F.700-WP	54
200-1170-00	64	200-7000-W0	69	280-3100-00	80	690-2000-00	4	752F.401-0P	42	762F.700-WP	56
200-1180-00	64	200-7001-00	65	280-3200-00	80	690-2000-W0	4	752F.401-0P	44	762F.700-WP	58
200-1190-00	64	200-7003-00	67	300-0001-00	85	690-4000-00	4	752F.401-0P	46	771F.401-00	25
200-1220-00	64	200-7009-W0	73	300-0003-00	86	690-4000-W0	4	752F.401-0P	48	771F.401-00	28
200-1240-00	64	200-7110-00	64	300-0004-00	87	690-6000-00	4	761F.401-00	25	771F.401-00	31
200-1250-00	64	200-7120-00	64	300-0005-00	87	690-6000-W0	4	761F.401-00	28	771F.401-00	34
200-1260-00	64	200-7140-00	64	300-0010-00	84	712F.401-00	40	761F.401-00	31	771F.401-00	37
200-1270-00	64	200-7140-W0	64	300-0020-00	84	712F.401-00	42	761F.401-00	34	771F.401-0P	25
200-1300-01	75	200-7150-00	64	300-0050-00	84	712F.401-00	44	761F.401-00	37	771F.401-0P	28
200-1300-02	75	200-7160-00	64	31-923	72	712F.401-00	46	761F.401-0P	25	771F.401-0P	31
200-1300-03	75	200-7160-W0	64	31-924.2	72	712F.401-00	48	761F.401-0P	28	771F.401-0P	34
200-1300-08	75	200-7170-00	64	51-920	71	712F.401-0P	40	761F.401-0P	31	771F.401-0P	37
200-2000-00	69	200-7190-00	64	51-925	71	712F.401-0P	42	761F.401-0P	34	771F.401-W0	25

Part No.	Page	Part No.	Page	Part No.	Page	Part No.	Page	Part No.	Seite	Part No.	Seite
771F.401-W0	28	901F.000-00	18	912F.700-00	51	923F.401-W0	32	990-.000-00	8		
771F.401-W0	31	901F.000-00	20	912F.700-00	53	923F.401-W0	35	990-.000-00	9		
771F.401-W0	34	901F.000-00	22	912F.700-00	55	923F.401-WP	26	990-.000-0P	5		
771F.401-W0	37	901F.000-0P	14	912F.700-00	57	923F.401-WP	29	990-.000-0P	6		
771F.401-WP	25	901F.000-0P	16	912F.700-00	59	923F.401-WP	32	990-.000-0P	7		
771F.401-WP	28	901F.000-0P	18	912F.700-0P	51	923F.401-WP	35	990-.000-0P	8		
771F.401-WP	31	901F.000-0P	20	912F.700-0P	53	931-.401-00	38	990-.000-0P	9		
771F.401-WP	34	901F.000-0P	22	912F.700-0P	55	931-.401-0P	38	990-.000-K0	5		
771F.401-WP	37	902F.000-00	14	912F.700-0P	57	931-.401-WP	38	990-.000-K0	6		
772F.401-00	25	902F.000-00	16	912F.700-0P	59	931F.401-00	26	990-.000-K0	7		
772F.401-00	28	902F.000-00	18	912F.700-W0	51	931F.401-00	29	990-.000-K0	8		
772F.401-00	31	902F.000-00	20	912F.700-W0	53	931F.401-00	32	990-.000-K0	9		
772F.401-00	34	902F.000-00	22	912F.700-W0	55	931F.401-00	35				
772F.401-00	37	902F.000-0P	14	912F.700-W0	57	931F.401-0P	26				
772F.401-W0	26	902F.000-0P	16	912F.700-W0	59	931F.401-0P	29				
772F.401-W0	29	902F.000-0P	18	913-.401-00	38	931F.401-0P	32				
772F.401-W0	32	902F.000-0P	20	913-.401-W0	38	931F.401-0P	35				
772F.401-W0	35	902F.000-0P	22	913F.401-00	26	931F.401-WP	26				
772F.401-W0	38	903F.000-00	14	913F.401-00	29	931F.401-WP	29				
781F.401-00	25	903F.000-00	16	913F.401-00	32	931F.401-WP	32				
781F.401-00	28	903F.000-00	18	913F.401-00	35	931F.401-WP	35				
781F.401-00	31	903F.000-00	20	913F.401-W0	26	932-.401-00	38				
781F.401-00	34	903F.000-00	22	913F.401-W0	29	932-.401-W0	38				
781F.401-00	37	903F.000-0P	14	913F.401-W0	32	932F.401-00	26				
781F.401-0P	25	903F.000-0P	16	913F.401-W0	35	932F.401-00	29				
781F.401-0P	28	903F.000-0P	18	913F.700-00	51	932F.401-00	32				
781F.401-0P	31	903F.000-0P	20	913F.700-00	53	932F.401-00	35				
781F.401-0P	34	903F.000-0P	22	913F.700-00	55	932F.401-0P	26				
781F.401-0P	37	911-.401-00	38	913F.700-00	57	932F.401-0P	29				
781F.401-W0	26	911-.401-W0	38	913F.700-00	59	932F.401-0P	32				
781F.401-W0	29	911F.401-00	26	913F.700-0P	51	932F.401-0P	35				
781F.401-W0	32	911F.401-00	29	913F.700-0P	53	932F.401-W0	26				
781F.401-W0	35	911F.401-00	32	913F.700-0P	55	932F.401-W0	29				
781F.401-W0	38	911F.401-00	35	913F.700-0P	57	932F.401-W0	32				
781F.401-WP	25	911F.401-0P	26	913F.700-0P	59	932F.401-W0	35				
781F.401-WP	28	911F.401-0P	29	913F.700-W0	51	933-.401-00	38				
781F.401-WP	31	911F.401-0P	32	913F.700-W0	53	933-.401-W0	38				
781F.401-WP	34	911F.401-0P	35	913F.700-W0	55	933F.401-00	26				
781F.401-WP	37	911F.401-W0	26	913F.700-W0	57	933F.401-00	29				
781F.700-00	50	911F.401-W0	29	913F.700-W0	59	933F.401-00	32				
781F.700-00	52	911F.401-W0	32	921-.401-00	38	933F.401-00	35				
781F.700-00	54	911F.401-W0	35	921-.401-0P	38	933F.401-W0	26				
781F.700-00	56	911F.700-00	51	921F.401-00	26	933F.401-W0	29				
781F.700-00	58	911F.700-00	53	921F.401-00	29	933F.401-W0	32				
781F.700-W0	50	911F.700-00	55	921F.401-00	32	933F.401-W0	35				
781F.700-W0	52	911F.700-00	57	921F.401-00	35	933F.401-WP	26				
781F.700-W0	54	911F.700-00	59	921F.401-0P	26	933F.401-WP	29				
781F.700-W0	56	911F.700-0P	51	921F.401-0P	29	933F.401-WP	32				
781F.700-W0	58	911F.700-0P	53	921F.401-0P	32	933F.401-WP	35				
782F.401-00	25	911F.700-0P	55	921F.401-0P	35	951F2000-00	23				
782F.401-00	28	911F.700-0P	57	921F.401-WP	26	951F2000-W0	23				
782F.401-00	31	911F.700-0P	59	921F.401-WP	29	952F2000-00	23				
782F.401-00	34	911F.700-W0	51	921F.401-WP	32	952F2000-W0	23				
782F.401-00	37	911F.700-W0	53	921F.401-WP	35	953F2000-00	23				
782F.401-W0	26	911F.700-W0	55	922-.401-00	38	953F2000-W0	23				
782F.401-W0	29	911F.700-W0	57	922-.401-W0	38	961F2401-00	24				
782F.401-W0	32	911F.700-W0	59	922F.401-00	26	961F2401-W0	24				
782F.401-W0	35	911F.700-WP	51	922F.401-00	29	962F2401-00	24				
782F.401-W0	38	911F.700-WP	53	922F.401-00	32	962F2401-W0	24				
782F.700-00	50	911F.700-WP	55	922F.401-00	35	963F2401-00	24				
782F.700-00	52	911F.700-WP	57	922F.401-W0	26	963F2401-W0	24				
782F.700-00	54	911F.700-WP	59	922F.401-W0	29	970-.000-00	10				
782F.700-00	56	912-.401-00	38	922F.401-W0	32	970-.000-00	11				
782F.700-00	58	912-.401-0P	38	922F.401-W0	35	970-.000-0P	10				
782F.700-0P	50	912-.401-W0	38	923-.401-00	38	970-.000-0P	11				
782F.700-0P	52	912F.401-00	26	923-.401-0P	38	970-.000-K0	10				
782F.700-0P	54	912F.401-00	29	923-.401-W0	38	970-.000-K0	11				
782F.700-0P	56	912F.401-00	32	923F.401-00	26	970-0012-00	68				
782F.700-0P	58	912F.401-00	35	923F.401-00	29	970-0024-00	68				
782F.700-W0	52	912F.401-0P	26	923F.401-00	32	970-5012-00	68				
782F.700-W0	54	912F.401-0P	29	923F.401-00	35	970-5024-00	68				
782F.700-W0	56	912F.401-0P	32	923F.401-0P	26	970-6012-00	68				
782F.700-W0	58	912F.401-0P	35	923F.401-0P	29	970-6024-00	68				
792F1000-00	60	912F.401-W0	26	923F.401-0P	32	970-9024-00	68				
792F2000-00	60	912F.401-W0	29	923F.401-0P	35	990-.000-00	5				
901F.000-00	14	912F.401-W0	32	923F.401-W0	26	990-.000-00	6				
901F.000-00	16	912F.401-W0	35	923F.401-W0	29	990-.000-00	7				