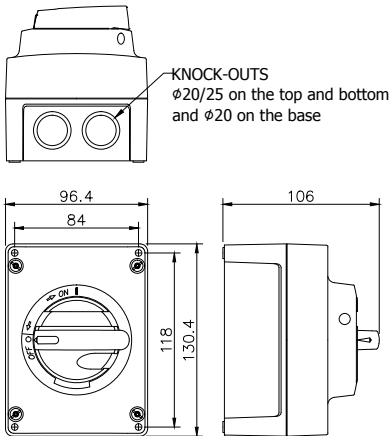


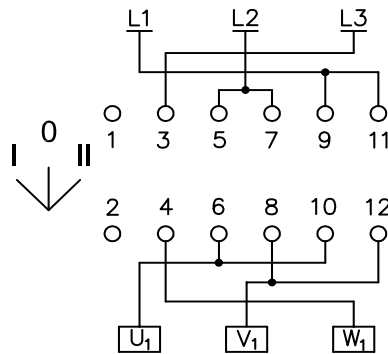
MOTOR CONTROL SWITCHES 16-40 A



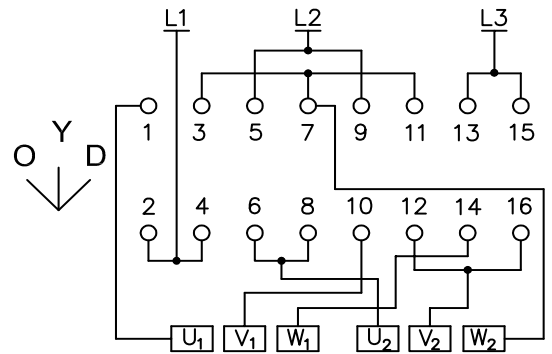
- Cam switches
- Polycarbonate enclosure, IP66
- Rated thermal current I_{the} 16 - 40 A
- Padlockable
- Door interlock with defeat mechanism
- Terminals: Cu 1,5 - 16 mm²
- Max. terminal torque: 1,8 Nm
- IEC 60 947-3
- TK= star delta
- SK= reverse switch



Connection diagrams:
TKM 325U SK



TKM 325U TK



Type		AC-21	400 V AC-22	400 V AC-23	400 V AC-23	EAN-Code 6419410...		Enclosure	Weight kg
		415 V	415 V	415 V	415 V	Grey/black	Yellow/red		
Grey/black	Yellow/red	I_e / A		I_e / A	I_e / A	P / kW			
Star-Delta									
TKM 316U TK	TKM 316U TK Y/R	16 A	16 A	16 A	7.5 kW	...344828	...344842	U2	0.5
TKM 325U TK	TKM 325U TK Y/R	25 A	25 A	25 A	11 kW	...345023	...345030	U2	0.5
TKM 340U TK	TKM 340U TK Y/R	40 A	40 A	40 A	18.5 kW	...345627	...345641	U2	0.5
Reverse									
TKM 316U SK	TKM 316U SK Y/R	16 A	16 A	16 A	7.5 kW	...344729	...344743	U2	0.5
TKM 325U SK	TKM 325U SK Y/R	25 A	25 A	25 A	11 kW	...345221	...345238	U2	0.5
TKM 340U SK	TKM 340U SK Y/R	40 A	40 A	40 A	18.5 kW	...345962	...345986	U2	0.5