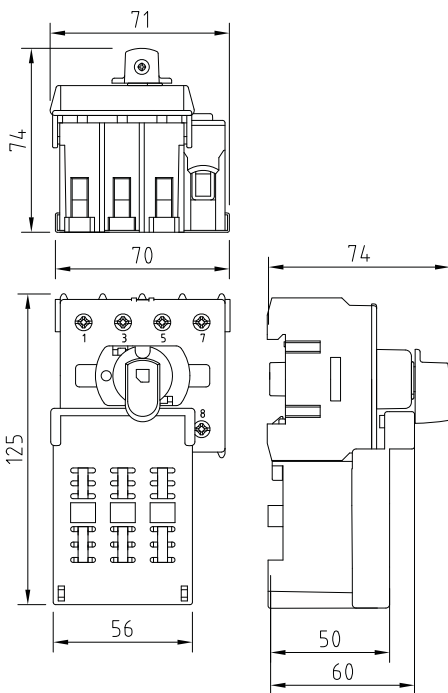


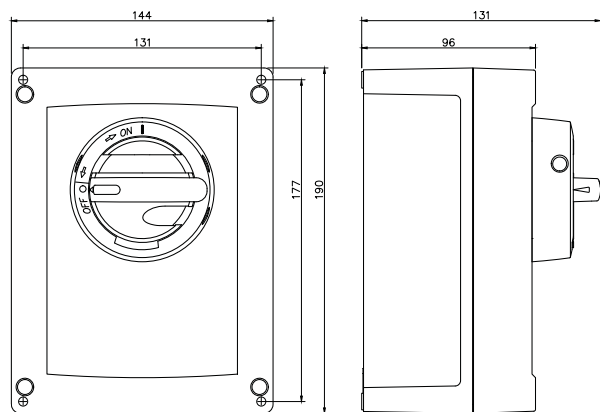
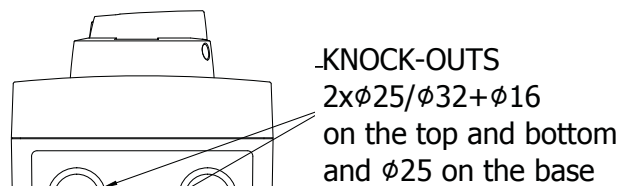
SWITCH FUSES 16-32 A KKV SERIES



- Available as 1-, 2-, 3- and 4-pole
- Consists of a KU-switch and a KV 10 x 38 fuse holder
- Compatible with handles LK10 and LK11
- Shafts L=100/200/300 AD11 and L=100/200/300 AD11/VT



KKV



KKVM

| Type | AC-21 | 400 V 415 V 690 V | AC-22 | 400 V 415 V 690 V | AC-23 | 400 V 415 V | AC-23 | 690 V | EAN-Code | Weight kg | | |
|---------------|-------|-------------------------|-------|-------------------------|-----------|----------------|-----------|--------|----------|--------------|---------------|------|
| | | I_n / A | | I_n / A | I_n / A | P / kW | I_n / A | P / kW | | | | |
| 3-pole | | | | | | | | | | | | |
| KKV 316 | | 16 A | | 16 A | | 16 A | | 7,5 kW | | 11 kW | 6419410212608 | 0,32 |
| KKV 325 | | 25 A | | 25 A | | 25 A | | 11 kW | | 22 kW | 6419410212707 | 0,32 |
| KKV 332 | | 32 A | | 32 A | | 32 A | | 15 kW | | 30 kW | 6419410212806 | 0,32 |
| 4-pole | | | | | | | | | | | | |
| KKV 416 | | 16 A | | 16 A | | 16 A | | 7,5 kW | | 11 kW | 6419410212653 | 0,36 |
| KKV 425 | | 25 A | | 25 A | | 25 A | | 11 kW | | 22 kW | 6419410212752 | 0,36 |
| KKV 432 | | 32 A | | 32 A | | 32 A | | 15 kW | | 30 kW | 6419410212851 | 0,36 |