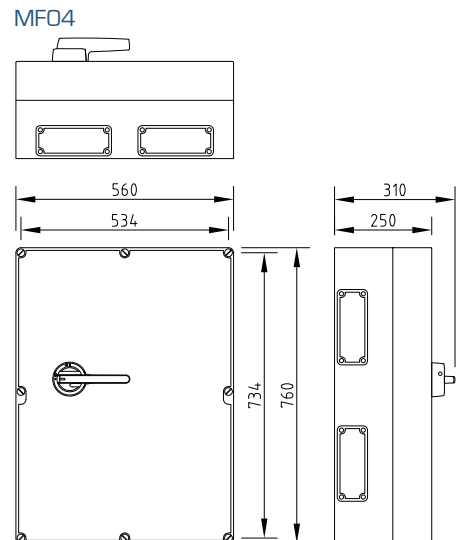
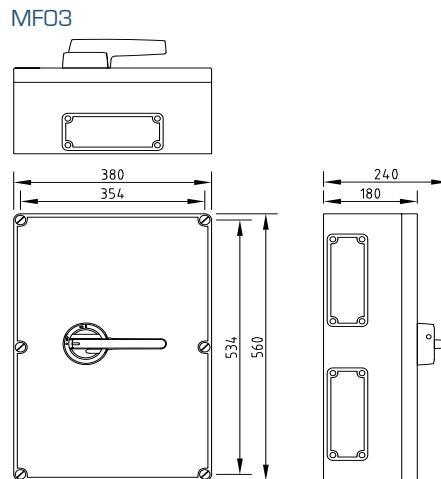
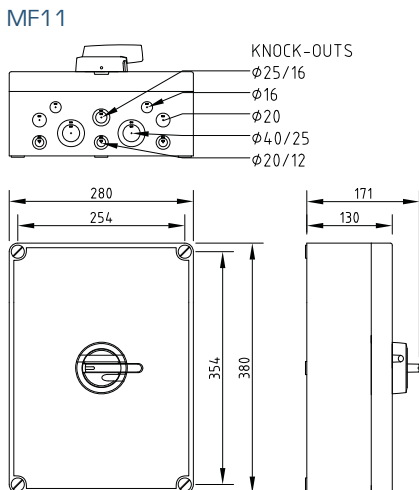
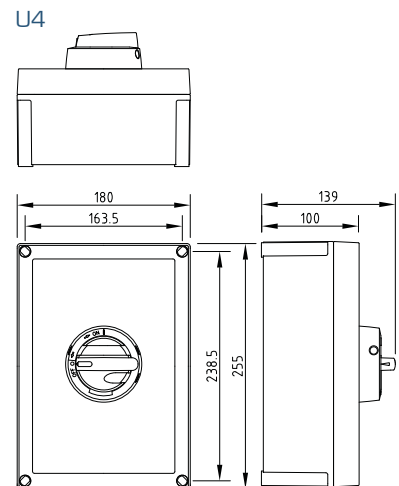
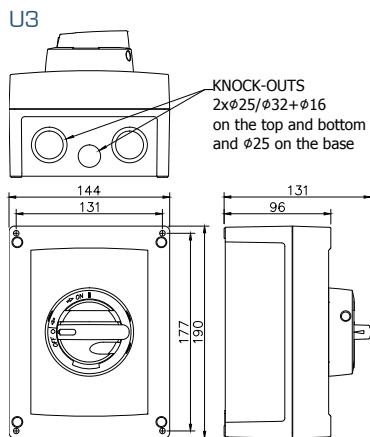
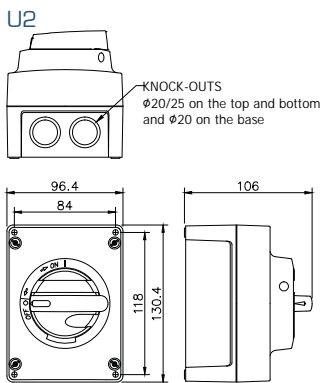


POLYCARBONATE ENCLOSED SAFETY SWITCHES / ISOLATORS 10-630 A



- IP66; Enclosure types U2, U3, U4
- IP65; Enclosure types MF11, MFO3, MFO4
- Self-extinguishing material
- Wide operating temperature range
- Padlockable
- Door interlock with defeat mechanism
- Excellent insulating properties
- Good UV resistance
- Good resistance against many chemicals



POLYCARBONATE ENCLOSED SAFETY SWITCHES / ISOLATORS 10-630 A

| Type | | AC-21 | 400 V | AC-22 | 400 V | AC-23 | 400 V | AC-23 | 690 V | EAN codes | | Enclosure | Weight kg |
|---------------|---------------|--------------------|--------------------|--------------------|--------------------|--------|--------------------|--------|--------|------------|------------|-----------|-----------|
| | | | 415 V | | 690 V | | | | | 415 V | 690 V | | |
| Grey/black | Yellow/red | I _e / A | I _e / A | I _e / A | I _e / A | P / kW | I _e / A | P / kW | P / kW | Grey/black | Yellow/red | | |
| 1-pole | | | | | | | | | | | | | |
| KEM 110U | KEM 110U Y/R | 20 A* | 10 A* | 10 A | 2 kW** | 10 A | - | - | ... | 353585 | 353592 | U2 | 0.4 |
| KEM 116U | KEM 116U Y/R | 25 A* | 16 A* | 16 A | 3 kW** | 16 A | - | - | ... | 351475 | 353608 | U2 | 0.4 |
| KEM 125U | KEM 125U Y/R | 40 A* | 25 A* | 25 A | 4 kW** | 25 A | - | - | ... | 351482 | 353615 | U2 | 0.4 |
| KEM 140U | KEM 140U Y/R | 63 A* | 40 A* | 40 A | 5,5 kW** | 32 A | - | - | ... | 353622 | 353639 | U2 | 0.4 |
| KEM 163U | KEM 163U Y/R | 80 A* | 63 A* | 40 A | 7,5 kW** | 40 A | - | - | ... | 363646 | 353653 | U3 | 0.6 |
| KEM 180U | KEM 180U Y/R | 100 A* | 80 A* | 63 A | 11 kW** | 40 A | - | - | ... | 353660 | 353677 | U3 | 0.6 |
| 2-pole | | | | | | | | | | | | | |
| KEM 210U | KEM 210U Y/R | 20 A* | 10 A* | 10 A | 2 kW** | 10 A | - | - | ... | 353684 | 353691 | U2 | 0.4 |
| KEM 216U | KEM 216U Y/R | 25 A* | 16 A* | 16 A | 3 kW** | 16 A | - | - | ... | 353707 | 353714 | U2 | 0.4 |
| KEM 225U | KEM 225U Y/R | 40 A* | 25 A* | 25 A | 4 kW** | 25 A | - | - | ... | 353721 | 353738 | U2 | 0.4 |
| KEM 240U | KEM 240U Y/R | 63 A* | 40 A* | 40 A | 5,5 kW** | 32 A | - | - | ... | 353745 | 353752 | U2 | 0.4 |
| KEM 263U | KEM 263U Y/R | 80 A* | 63 A* | 40 A | 7,5 kW** | 40 A | - | - | ... | 353769 | 353776 | U3 | 0.6 |
| KEM 280U | KEM 280U Y/R | 100 A* | 80 A* | 63 A | 11 kW** | 40 A | - | - | ... | 353783 | 353790 | U3 | 0.6 |
| 3-pole | | | | | | | | | | | | | |
| KEM 310U | KEM 310U Y/R | 20 A | 10 A | 10 A | 5,5 kW | 10 A | 7,5 kW | ... | 327654 | 327722 | U2 | 0.4 | |
| KEM 316U | KEM 316U Y/R | 25 A | 16 A | 16 A | 7,5 kW | 16 A | 11 kW | ... | 327661 | 327739 | U2 | 0.4 | |
| KEM 325U | KEM 325U Y/R | 40 A | 25 A | 25 A | 11 kW | 25 A | 22 kW | ... | 327685 | 327753 | U2 | 0.4 | |
| KEM 340U | KEM 340U Y/R | 63 A | 40 A | 40 A | 22 kW | 32 A | 30 kW | ... | 327708 | 327777 | U2 | 0.4 | |
| KEM 363U | KEM 363U Y/R | 80 A | 63 A | 40 A | 22 kW | 40 A | 37 kW | ... | 399637 | 399644 | U3 | 0.6 | |
| KEM 380U | KEM 380U Y/R | 100 A | 80 A | 63 A | 30 kW | 40 A | 37 kW | ... | 399651 | 399668 | U3 | 0.6 | |
| KEM 3125U | KEM 3125U Y/R | 160 A | 125 A | 100 A | 55 kW | 80 A | 55 kW | ... | 481721 | 481738 | U4 | 1 | |
| KEM 3160 | KEM 3160 Y/R | 200 A | 160 A | 135 A | 75 kW | 125 A | 90 kW | ... | 323403 | 319505 | MF11 | 3.3 | |
| KEM 3200 | KEM 3200 Y/R | 200 A | 200 A | 200 A | 110 kW | 200 A | 160 kW | ... | 323809 | 319826 | MF03 | 7.8 | |
| KEM 3200C | KEM 3200C Y/R | 200 A | 200 A* | 200 A | 110 kW | - | - | ... | 323816 | 323823 | MF11 | 3.4 | |
| KEM 3250 | KEM 3250 Y/R | 250 A | 250 A | 250 A | 132 kW | 250 A | 250 kW | ... | 324202 | 319888 | MF03 | 7.8 | |
| KEM 3250C | KEM 3250C Y/R | 250 A | 250 A* | 250 A | 132 kW | - | - | ... | 324219 | 324226 | MF11 | 3.4 | |
| KEM 3315 | KEM 3315 Y/R | 315 A | 315 A | 315 A | 160 kW | 315 A | 315 kW | ... | 324608 | 319949 | MF03 | 8.2 | |
| KEM 3400 | KEM 3400 Y/R | 400 A | 400 A | 400 A | 200 kW | 400 A | 355 kW | ... | 325001 | 320006 | MF03 | 8.2 | |
| KEM 3630 | KEM 3630 Y/R | 630 A | 630 A | 630 A | 355 kW | 500 A | 500 kW | ... | 325407 | 320068 | MF04 | 21.0 | |
| 4-pole | | | | | | | | | | | | | |
| KEM 410U | KEM 410U Y/R | 20 A | 10 A | 10 A | 5,5 kW | 10 A | 7,5 kW | ... | 321072 | 301487 | U2 | 0.5 | |
| KEM 416U | KEM 416U Y/R | 25 A | 16 A | 16 A | 7,5 kW | 16 A | 11 kW | ... | 327678 | 327746 | U2 | 0.5 | |
| KEM 425U | KEM 425U Y/R | 40 A | 25 A | 25 A | 11 kW | 25 A | 22 kW | ... | 327692 | 327760 | U2 | 0.5 | |
| KEM 440U | KEM 440U Y/R | 63 A | 40 A | 40 A | 22 kW | 32 A | 30 kW | ... | 327715 | 327784 | U2 | 0.5 | |
| KEM 463U | KEM 463U Y/R | 80 A | 63 A | 40 A | 22 kW | 40 A | 37 kW | ... | 399675 | 399682 | U3 | 0.7 | |
| KEM 480U | KEM 480U Y/R | 100 A | 80 A | 63 A | 30 kW | 40 A | 37 kW | ... | 399699 | 399705 | U3 | 0.7 | |
| KEM 4125U | KEM 4125U Y/R | 160 A | 125 A | 100 A | 55 kW | 80 A | 55 kW | ... | 323120 | 323144 | U4 | 1 | |
| KEM 4160 | KEM 4160 Y/R | 200 A | 160 A | 135 A | 75 kW | 125 A | 90 kW | ... | 323502 | 319604 | MF11 | 3.4 | |
| KEM 4200 | KEM 4200 Y/R | 200 A | 200 A | 200 A | 110 kW | 200 A | 160 kW | ... | 323908 | 323922 | MF03 | 8.3 | |
| KEM 4200C | KEM 4200C Y/R | 200 A | 200 A* | 200 A | 110 kW | - | - | ... | 323915 | 323939 | MF11 | 3.5 | |
| KEM 4250 | KEM 4250 Y/R | 250 A | 250 A | 250 A | 132 kW | 250 A | 250 kW | ... | 324325 | 324349 | MF03 | 8.3 | |
| KEM 4250C | KEM 4250C Y/R | 250 A | 250 A* | 250 A | 132 kW | - | - | ... | 324332 | 324356 | MF11 | 3.5 | |
| KEM 4315 | KEM 4315 Y/R | 315 A | 315 A | 315 A | 160 kW | 315 A | 315 kW | ... | 324707 | 324721 | MF03 | 8.8 | |
| KEM 4400 | KEM 4400 Y/R | 400 A | 400 A | 400 A | 200 kW | 400 A | 355 kW | ... | 325100 | 325124 | MF03 | 8.8 | |
| KEM 4630 | KEM 4630 Y/R | 630 A | 630 A | 630 A | 355 kW | 500 A | 500 kW | ... | 327616 | 327623 | MF04 | 22.1 | |
| 6-pole | | | | | | | | | | | | | |
| KEM 616U | KEM 616U Y/R | 25 A | 16 A | 16 A | 7,5 kW | 16 A | 11 kW | ... | 399712 | 399729 | U3 | 0.9 | |
| KEM 625U | KEM 625U Y/R | 40 A | 25 A | 25 A | 11 kW | 25 A | 22 kW | ... | 399736 | 399743 | U3 | 0.9 | |
| KEM 640U | KEM 640U Y/R | 63 A | 40 A | 40 A | 22 kW | 32 A | 30 kW | ... | 399750 | 399767 | U3 | 0.9 | |
| KEM 663U | KEM 663U Y/R | 80 A | 63 A | 40 A | 22 kW | 40 A | 37 kW | ... | 399774 | 399781 | U3 | 0.9 | |
| KEM 680U | KEM 680U Y/R | 100 A | 80 A | 63 A | 30 kW | 40 A | 37 kW | ... | 399798 | 399804 | U3 | 0.9 | |
| KEM 6125 | KEM 6125 Y/R | 160 A | 125 A | 100 A | 55 kW | 80 A | 55 kW | ... | 323205 | 319307 | MF11 | 2.1 | |
| KEM 6160 | KEM 6160 Y/R | 200 A | 160 A | 135 A | 75 kW | 125 A | 90 kW | ... | 323601 | 319703 | MF11 | 3.8 | |
| 8-pole | | | | | | | | | | | | | |
| KEM 816U | KEM 816U Y/R | 25 A | 16 A | 16 A | 7,5 kW | 16 A | 11 kW | ... | 399811 | 399828 | U3 | 1 | |
| KEM 825U | KEM 825U Y/R | 40 A | 25 A | 25 A | 11 kW | 25 A | 22 kW | ... | 399835 | 399842 | U3 | 1 | |
| KEM 840U | KEM 840U Y/R | 63 A | 40 A | 40 A | 22 kW | 32 A | 30 kW | ... | 399859 | 399866 | U3 | 1 | |
| KEM 863U | KEM 863U Y/R | 80 A | 63 A | 40 A | 22 kW | 40 A | 37 kW | ... | 399873 | 399880 | U3 | 1 | |
| KEM 880U | KEM 880U Y/R | 100 A | 80 A | 63 A | 30 kW | 40 A | 37 kW | ... | 399897 | 399903 | U3 | 1 | |
| KEM 8125 | KEM 8125 Y/R | 160 A | 125 A | 100 A | 55 kW | 80 A | 55 kW | ... | 323304 | 319406 | MF11 | 2.2 | |
| KEM 8160 | KEM 8160 Y/R | 200 A | 160 A | 135 A | 75 kW | 125 A | 90 kW | ... | 323700 | 319758 | MF11 | 4 | |
| * 400/415 V | **240 V | | | | | | | | | | | | |