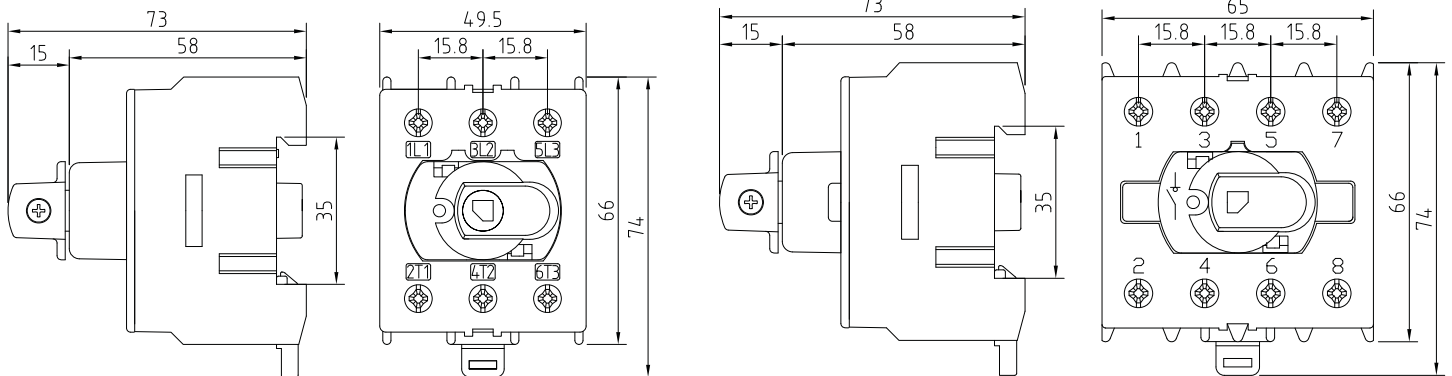


LOAD BREAK SWITCHES 16-125 A ROTARY SWITCHES, KU SERIES



- Compact size
- DIN-rail mounting
- 3-pole and 4-pole KU-switches as standard
- 2-pole upon request
- 6-pole and 8-pole versions consist of two 3-pole or 4-pole KU-switches connected by a parallel kit
- Switch technology by means of silver contacts ensures safe and durable operation
- 4-pole versions with early-make and late-break neutral pole
- Compatible with handles LK10 and LK11
- Shafts L=100/200/300 AD11 and L=100/200/300 AD11/VT



Type	AC-21	400 V	AC-22	400 V	AC-23	AC-23	690 V	EAN-Code	Weight kg	
		415 V		415 V ¹⁾						415 V
		690 V								
		I _e / A								
3-pole										
KU 316N	25 A	16 A	16 A	7,5 kW	16 A	11 kW	6419410214305	0.19		
KU 325N	40 A	25 A	25 A	11 kW	25 A	22 kW	6419410214404	0.19		
KU 340N	63 A	40 A	40 A	22 kW	32 A	30 kW	6419410214503	0.19		
KU 363N	80 A	63 A	40 A	22 kW	40 A	37 kW	6419410214602	0.2		
KU 380N	100 A	80 A	63 A	30 kW	40 A	37 kW	6419410214701	0.2		
KU 3125N	125 A	125 ¹⁾ / 80 ²⁾ A	63 A	30 kW	40 A	37 kW	6419410214824	0.2		
4-pole										
KU 416N	25 A	16 A	16 A	7,5 kW	16 A	11 kW	6419410215005	0.23		
KU 425N	40 A	25 A	25 A	11 kW	25 A	22 kW	6419410215203	0.23		
KU 440N	63 A	40 A	40 A	22 kW	32 A	30 kW	6419410215500	0.23		
KU 463N	80 A	63 A	40 A	22 kW	40 A	37 kW	6419410215906	0.25		
KU 480N	100 A	80 A	63 A	30 kW	40 A	37 kW	6419410216002	0.25		
KU 4125N	125 A	125 ¹⁾ / 80 ²⁾ A	63 A	30 kW	40 A	37 kW	6419410216125	0.25		