

LOAD BREAK SWITCHES 125-250 A ROTARY SWITCHES, VKA SERIES



VKA 125-160 A

- Compact size
- 3-pole and 4-pole VKA-switches as standard
- 2-pole upon request
- Switch technology by means of silver contacts ensures safe and durable operation
- 4-pole versions with early-make and late-break neutral pole

125-160 A:

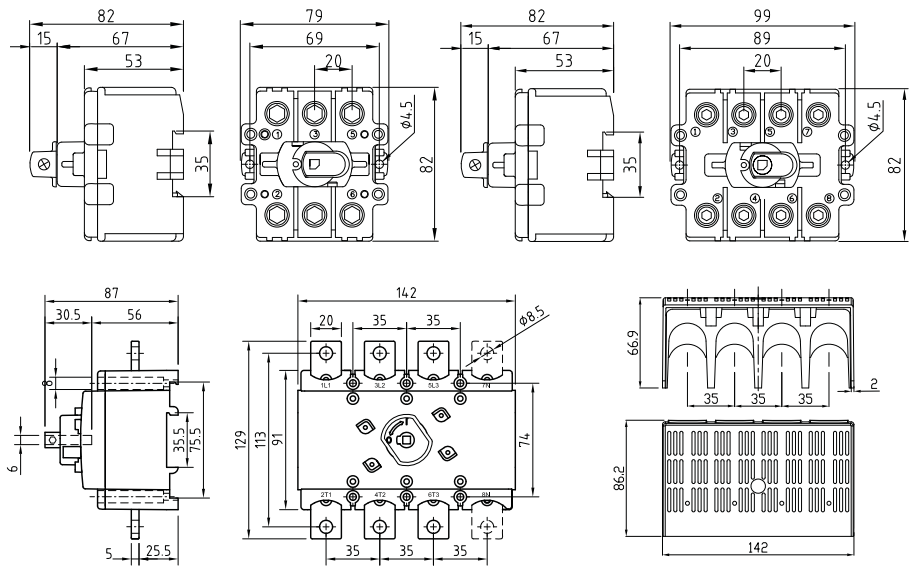
- 6-pole and 8-pole versions consist of two 3-pole or 4-pole VKA-switches connected by a parallel kit
- Compatible with handles LK10 and LK11
- Shafts L=100/200 AD11 and L=100/200/300 AD11/VT

200-250 A:

- Handle LK12 and shaft L=228 AD12/T6 included, suitable for 250 mm panel board
- Terminal covers LS/VKAC and phase barriers VS/VKAC enable safe use



VKA 200-250 A



Type	AC-21		AC-22		AC-23		EAN-Code	Weight kg		
	400 V 415 V 690 V	I_e / A	400 V 415 V 690 V	I_e / A	400 V 415 V 690 V	I_e / A				
3-pole										
VKA 3125N	160 A		125 A		100 A	55 kW	80 A	55 kW	6419410217504	0.51
VKA 3160N	200 A		160 A		135 A	75 kW	125 A	90 kW	6419410218600	0.51
4-pole										
VKA 4125N	160 A		125 A		100 A	55 kW	80 A	55 kW	6419410218006	0.66
VKA 4160N	200 A		160 A		135 A	75 kW	125 A	90 kW	6419410219102	0.66

Type	AC-21		AC-21		AC-22		AC-23		EAN-Code	Weight kg
	400 V 415 V	I_e / A	690 V	I_e / A	400 V 415 V	I_e / A	400 V 415 V 690 V	I_e / A		
3-pole										
VKA 3200	200 A		200 A		200 A		200 A	110 kW	6419410218020	1.4
VKA 3250	250 A		250 A		250 A		250 A	132 kW	6419410218044	1.4
VKA 3200 LS/VS	200 A		200 A		200 A		200 A	110 kW	6419410218037	1.5
VKA 3250 LS/VS	250 A		250 A		250 A		250 A	132 kW	6419410218051	1.5
4-pole										
VKA 4200	200 A		200 A		200 A		200 A	110 kW	6419410219126	1.6
VKA 4250	250 A		250 A		250 A		250 A	132 kW	6419410219140	1.6
VKA 4200 LS/VS	200 A		200 A		200 A		200 A	110 kW	6419410219133	1.7
VKA 4250 LS/VS	250 A		250 A		250 A		250 A	132 kW	6419410219157	1.7