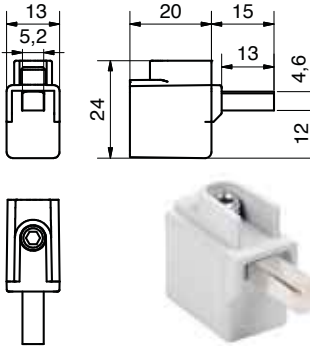


## CABLE CONNECTORS

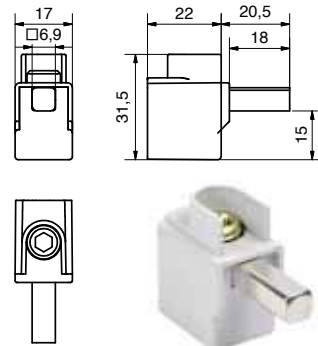


- Suitable for 1.5-240 mm<sup>2</sup> Al/Cu cables:
- Material: tin-coated aluminium
- In accordance with VDE 0220 part 1/11.71 and 2/11.71, SEN 24 50 12, SFS 2663 and IEC 61238-1
- Environmentally friendly materials

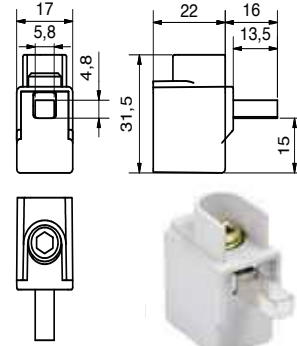
KKL 1x16



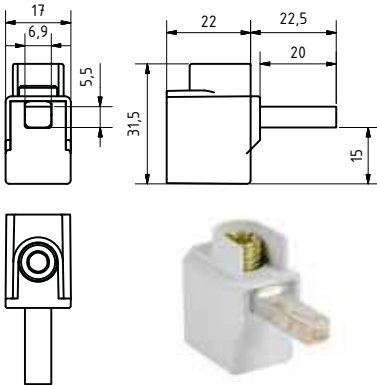
KKL 1x50



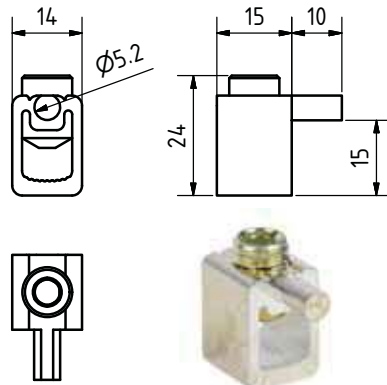
KKL 1x50M



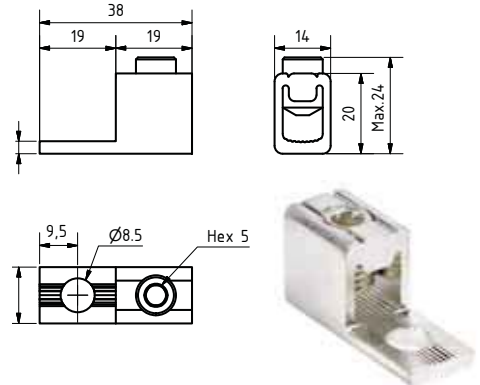
KKL 1x50MW



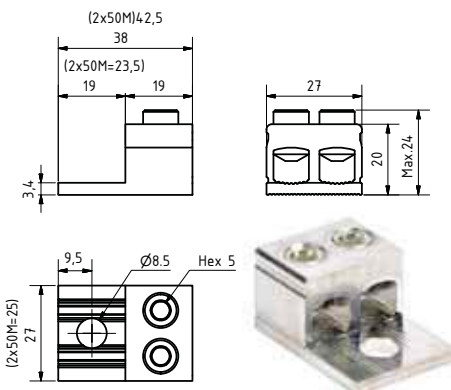
KKL 1x50N



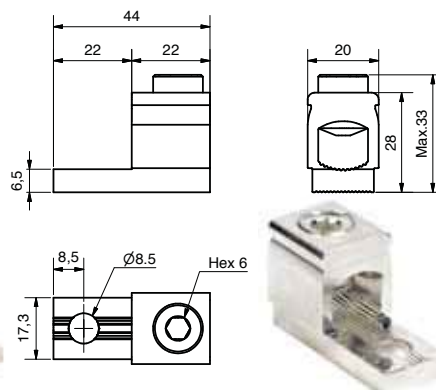
KKL 1x50R



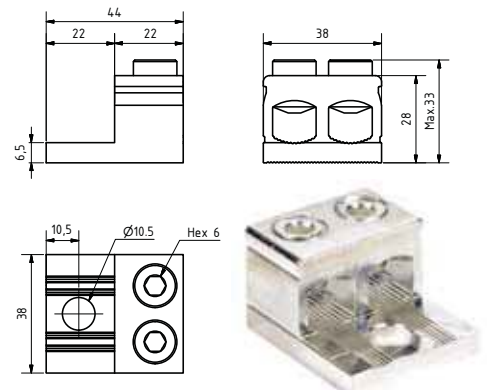
KKL 2x50 (KKL 2x50M)



KKL 1x95

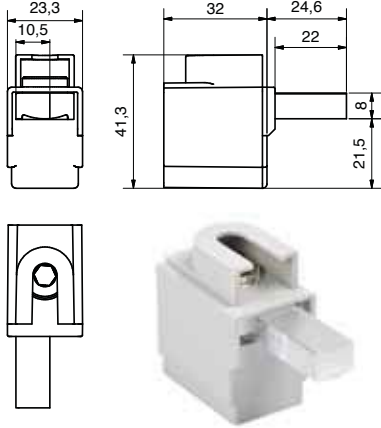


KKL 2x95

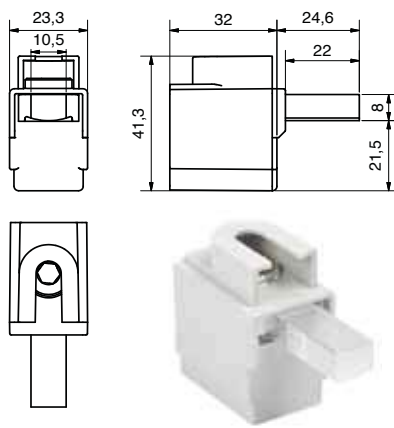


## CABLE CONNECTORS

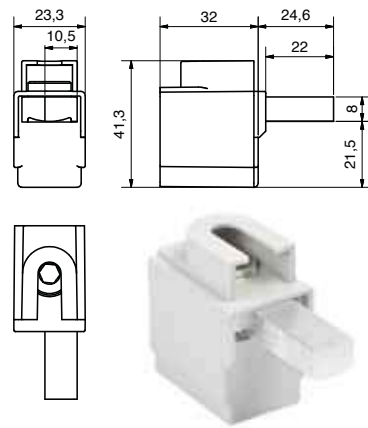
KKL 1x120T1



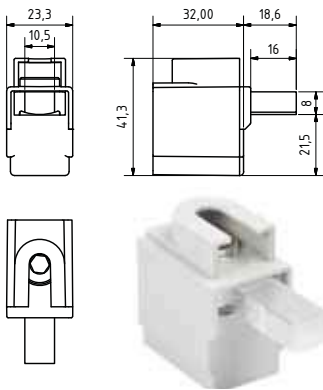
KKL 1x120T2



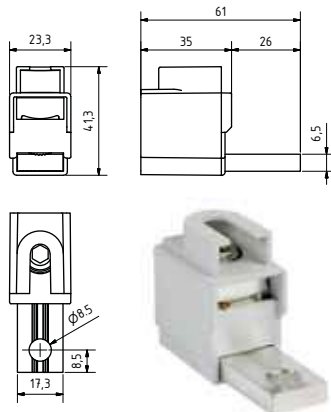
KKL 1x120T3



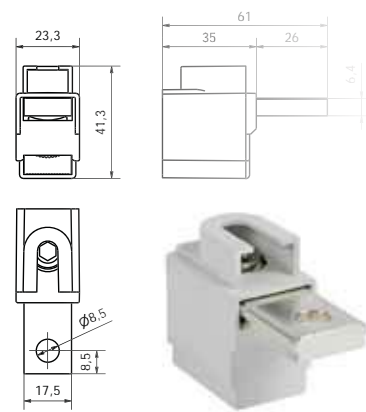
KKL 1x120TM



KKL 1x120RS

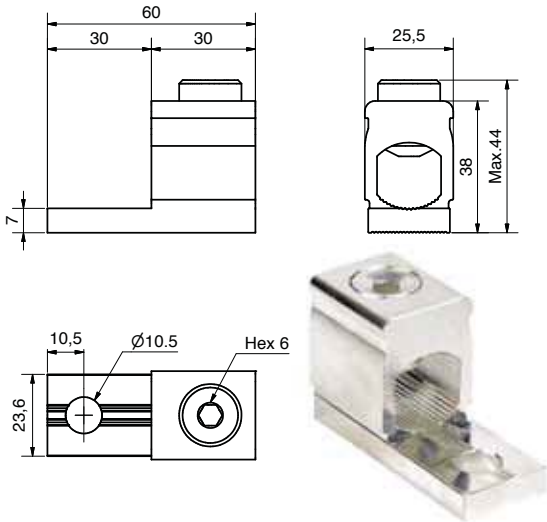


KKL 1x120RSY

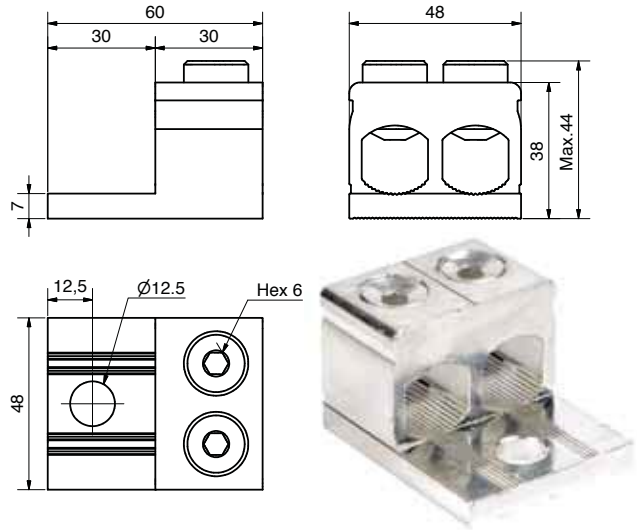


Type	Un [V]	In [A]	Al mm <sup>2</sup>	Cu mm <sup>2</sup>	Torque Al/Cu [Nm]	Number of conductors	Allen key size	Mounting	EAN-code	Weight [kg]
KKL 1x16	690	63	1.5-16	1.5-16	2.5	1	Hex 3	Direct	6419410358887	0,010
KKL 1x50								6419410358108	0,019	
KKL 1x50M								6419410358122	0,017	
KKL 1x50MW								6419410358153	0,019	
KKL 1x50N								6419410358146	0,014	
KKL 1x50R							Bolt	6419410358894	0,011	
KKL 2X50	690	320	16-50	16-50	6 [2.5-6mm <sup>2</sup> ] 12 [16-50mm <sup>2</sup> ]	2	Hex 5	Bolt M8	6419410358900	0,023
KKL 2X50M									6419410358917	
KKL 1x95	690	200	25-95	25-95	12 [25-50mm <sup>2</sup> ]	1	Hex 6	Bolt M8	6419410358924	0,030
KKL 2x95		400			22 [70-95mm <sup>2</sup> ]			Bolt M10	6419410358948	0,061
KKL 1x120T.1	690	160	16-120	16-120	12 [16-35mm <sup>2</sup> ] 22 [50-120mm <sup>2</sup> ]	1	Hex 6	Direct	6419410358962	0,037
KKL 1X120T.2									6419410358986	
KKL 1X120T.3									6419410359006	
KKL 1X120TM									6419410358375	
KKL 1X120RS								MB	6419410358382	0,044
KKL 1X120RSY								MB	6419410358368	

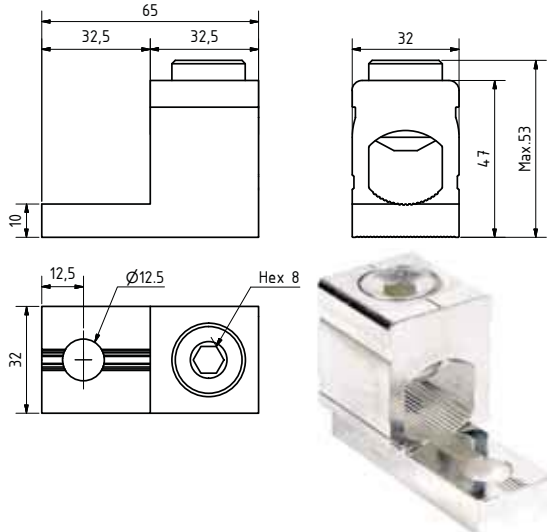
### KKL 1x150



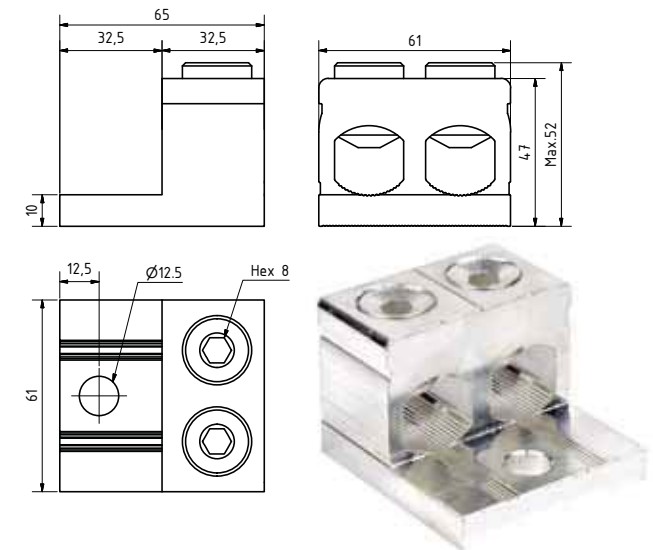
### KKL 2x150



### KKL 1x240



### KKL 2x240



Type	Un (V)	In (A)	Al mm <sup>2</sup>	Cu mm <sup>2</sup>	Torque Al/Cu (Nm)	Number of conductors	Allen key size	Mounting	EAN-code	Weight (kg)
KKL 1X150	690	315	25-150	25-150	12 (25-50mm <sup>2</sup> ) 22 (70-95mm <sup>2</sup> ) 35 (120-150mm <sup>2</sup> )	1	Hex 6	Bolt M10	6419410359020	0,073
KKL 2X150		630				2		Bolt M12	6419410359044	0,150
KKL 1X240	690	400	35-240	35-240	25 (35-120mm <sup>2</sup> ) 55 (150-240mm <sup>2</sup> )	1	Hex 6 Hex 8	Bolt M12	6419410359068	0,113
KKL 2X 240		800				2			6419410359082	0,245

## EXAMPLES OF USE



MCB 16 A + KKL 1x16T



VKA 3160 + KKL 1x120T



KVKE 3125 + KKL 1x120T



MCCB 160 A + KKL 1x120TM



VKE 3250 + KKL 1x240