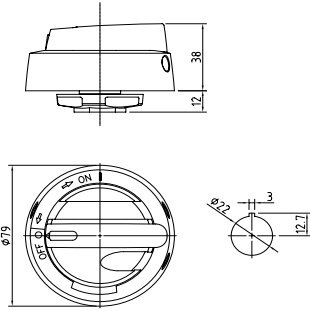


## ACCESSORIES HANDLES



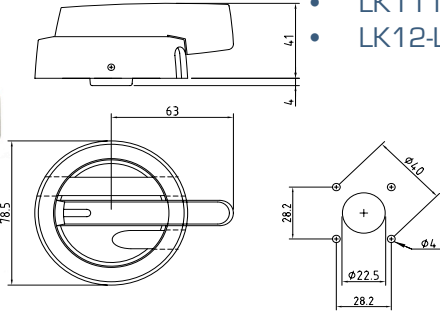
LK10 Y/R



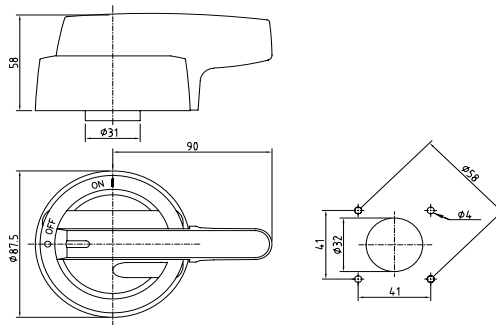
- Padlocking in OFF-position prevents access to the actuator
- Door interlock with defeat mechanism
- Available in black or yellow/red (Y/R)
- LK10: IP66
- LK11: IP66
- LK11 IP69K: IP67 / IP69K
- LK12-LK14: IP65



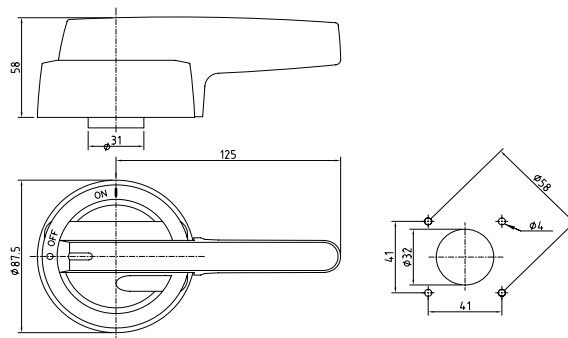
LK11



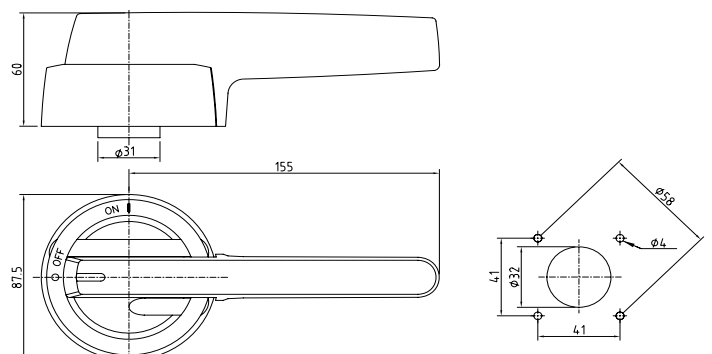
LK12



LK13 Y/R

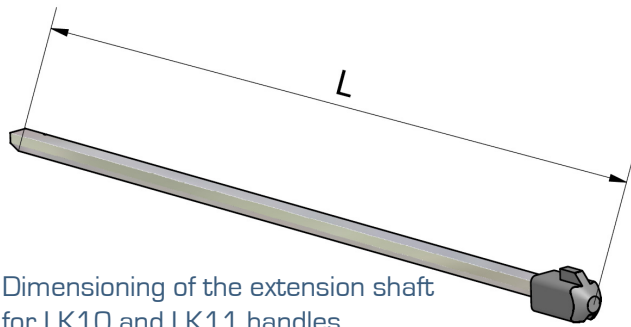


LK 14

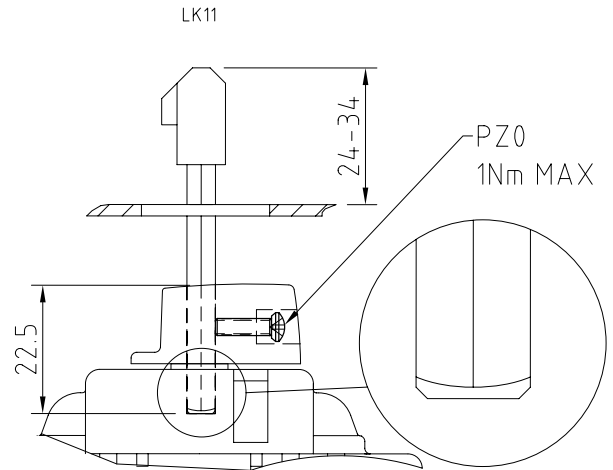
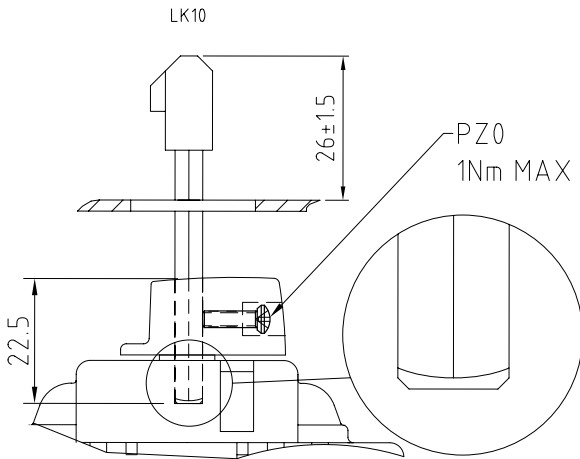


Data subject to change without notice

## ACCESSORIES SHAFTS

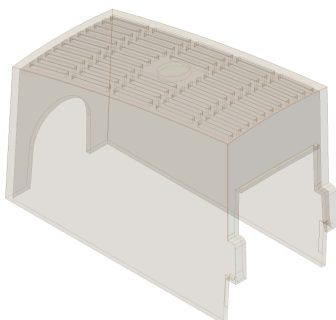


- With adapter AD11 for LK10 and LK11
- Length 100/200/300 mm
- Available in aluminium, steel (T), or steel and slanted (VT)
- Shafts are easy to cut to the correct length



Type	For	Description	EAN code 6419410...
<b>Handles</b>			
LK10	KU 16-160 A	Black	...222539
LK10 Y/R	KU 16-160 A	Yellow/red	...222553
LK11	KU 16-160 A	Black	...222607
LK11 Y/R	KU 16-160 A	Yellow/red	...222614
LK11 IP69K	KU 16-160 A	Black	...483060
LK11 IP69K Y/R	KU 16-160 A	Yellow/red	...483077
LK12	KU 100-160 A, KVKE/VKE 125-160 A, VKA 200-250 A	Black	...222683
LK12 Y/R	KU 100-160 A, KVKE/VKE 125-160 A, VKA 200-250 A	Yellow/red	...222690
LK13	KVKE/VKE 200-400 A	Black	...222645
LK13 Y/R	KVKE/VKE 200-400 A	Yellow/red	...222652
LK14	KVKE/VKE 200-630 A	Black	...222669
LK14 Y/R	KVKE/VKE 200-630 A	Yellow/red	...222676
<b>Shafts</b>			
L=100 AD11	KU/VKA, LK10 & LK11	Length 100 mm, aluminium	...253106
L=200 AD11	KU/VKA, LK10 & LK11	Length 200 mm, aluminium	...253113
L=300 AD11	KU/VKA, LK10 & LK11	Length 300 mm, aluminium	...253120
L=100 AD11/T	VKE 3125-3160, LK10 & LK11	Length 100 mm, steel	...253137
L=200 AD11/T	VKE 3125-3160, LK10 & LK11	Length 200 mm, steel	...253144
L=300 AD11/T	VKE 3125-3160, LK10 & LK11	Length 300 mm, steel	...253151
L=100 AD11/VT	KU/VKA, LK10 & LK 11	Length 100 mm, steel, slanted	...253168
L=200 AD11/VT	KU/VKA, LK10 & LK 11	Length 200 mm, steel, slanted	...253175
L=300 AD11/VT	KU/VKA, LK10 & LK 11	Length 300 mm, steel, slanted	...253182
L=100 AD12/T	VKE 125-160 A, KVKE 63-160 A, LK12	Length 100 mm, steel	...253045
L=200 AD12/T	VKE 125-160 A, KVKE 63-160 A, LK12	Length 200 mm, steel	...253052
L=300 AD12/T	VKE 125-160 A, KVKE 63-160 A, LK12	Length 300 mm, steel	...253069
LVK=228	KVKE/VKE 200-630 A, LK13 & LK14	Length 228 mm, steel	...221440
LVK=320	KVKE/VKE 200-630 A, LK13 & LK14	Length 320 mm, steel	...221426

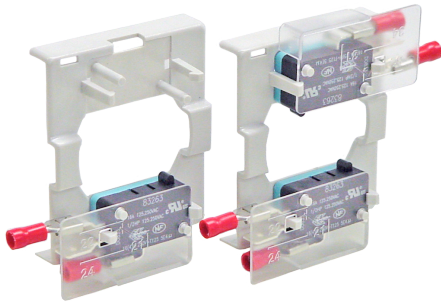
## TERMINAL COVERS



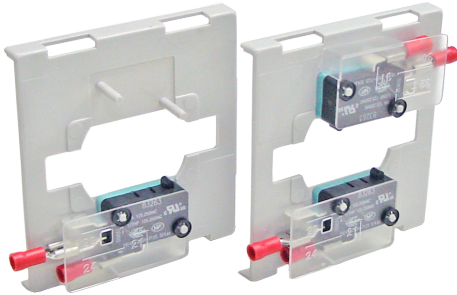
Type	For	EAN code 6419410...
<b>Terminal covers</b>		
LS 125	KVKE 63-160 A / VKE 125-160 A	...286937
LS 250	KVKE & VKE 200-250 A	...287729
LS 400	KVKE & VKE 400 A	...287866
LS 630	KVKE & VKE 630A	...284957

Data subject to change without notice

## ACCESSORIES AUXILIARY CONTACTS



KU 1.V & KU 2.V



VKA 1.V & VKA 2.V



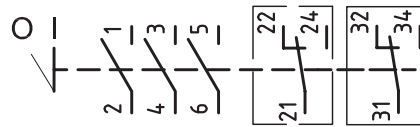
KVKE 1.V



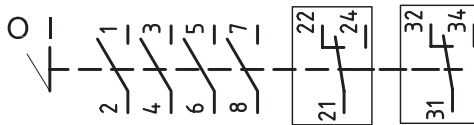
1.V160KU

- 1NO+1NC
- 2NO+2NC
- For KU, VKA and VKE switches
- For KVKE switch fuses
- Available with door mounting kit (OKA) with black or yellow/red handle (Y/R)
- Early break, late make
- 16 (4) A 250 VAC [EN 61058-1]

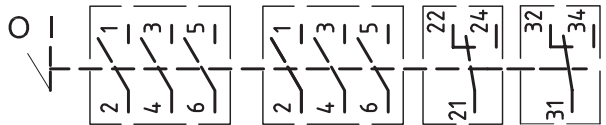
### SWITCH DIAGRAMS:



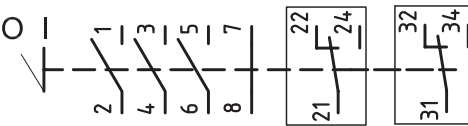
3 pole + 2NC/NO



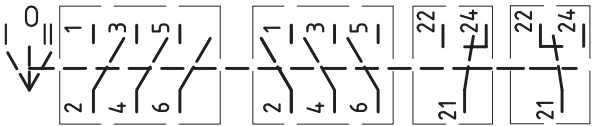
4 pole + 2NC/NO



6 pole + 2NC/NO



3 pole + NT + 2NC/NO



Change-over 3 pole + 2NC/NO

Type	For	Description	EAN code 6419410...
<b>Auxiliary contacts</b>			
KU1.V	KU 16 - 80A	1NO+1NC	...300008
KU2.V	KU 16 - 80A	2NO+2NC	...300107
OKA 1.V	KU 16 - 80A	1NO+1NC W/ door mounting, black	...224106
OKA 1.V Y/R	KU 16 - 80A	1NO+1NC W/ door mounting, Y/R	...224403
OKA 2.V	KU 16 - 80A	2NO+2NC W/ door mounting, black	...224205
OKA 2.V Y/R	KU 16 - 80A	2NO+2NC W/ door mounting, Y/R	...224502
1.V160KU	KU 100-160A	Auxiliary contact, side mounted	...300022
2.V160KU	KU 100-160A	2 x Auxiliary contact, side mounted	...300114
VV 1.V160KU	KU 100-160A	Auxiliary contact, inside	...300763
VKA 1.V	VKA 125-160 A	1NO+1NC	...300206
VKA 2.V	VKA 125-160 A	2NO+2NC	...300305
VKAC 1.V	VKA 200-250 A	1NO+1NC	...300800
VKAC 2.V	VKA 200-250 A	2NO+2NC	...300909
OKA/VKA1.V	VKA 125-160 A	1NO+1NC W/ door mounting, black	...224632
OKA/VKA1.V Y/R	VKA 125-160 A	1NO+1NC W/ door mounting, Y/R	...224649
OKA/VKA2.V	VKA 125-160 A	2NO+2NC W/ door mounting, black	...224625
OKA/VKA2.V Y/R	VKA 125-160 A	2NO+2NC W/ door mounting, Y/R	...224694
KVKEC 1.V	20-32 A	1NO+1NC	...285039
KVKEC 2.V	20-32 A	2NO+2NC	...285046
KVKE 1.V	VKE/KVKE 63-630 A	1NO+1NC	...286982
KVKE 2.V	VKE/KVKE 63-630 A	2NO+2NC	...287781

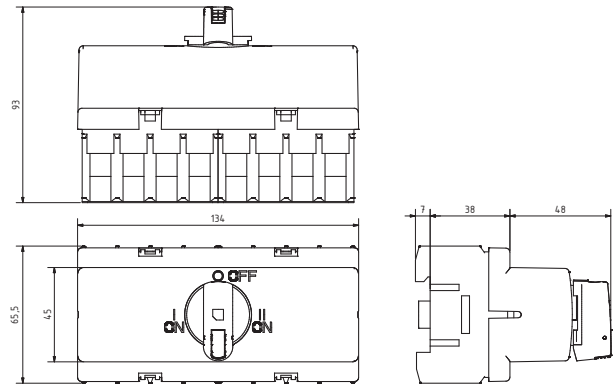
Data subject to change without notice

## ACCESSORIES

### CHANGE-OVER KIT KU3/4P WV

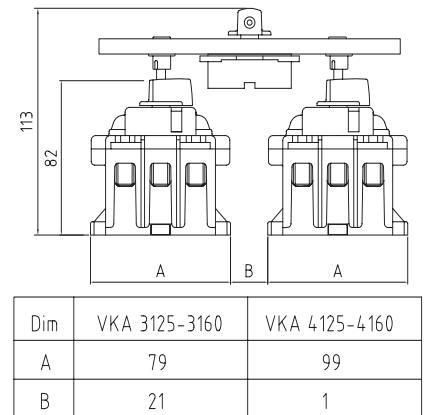
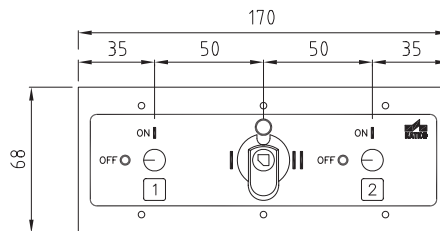
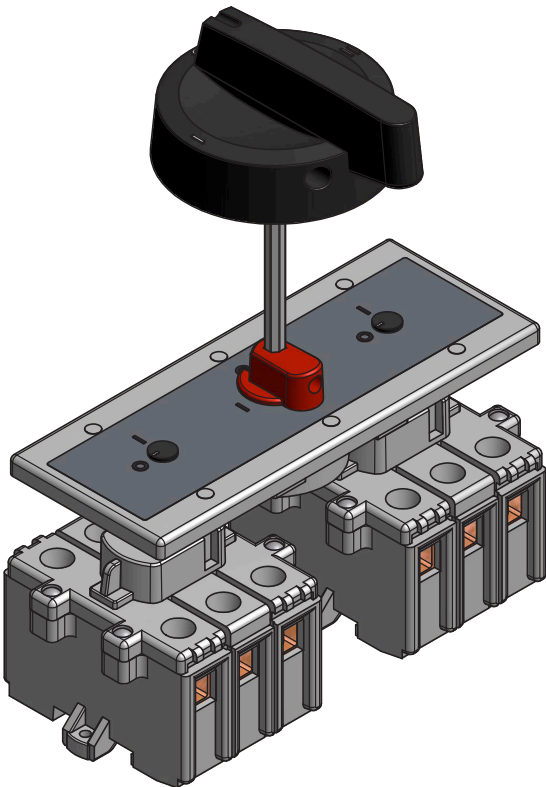


- Compact design for 2 KU-switches (16-125 A, 3-4 poles)
- Fast and easy to install
- Available with black or red direct handle (Y/R)
- Compatible with LK12 1-0-2 handle and L=100/200/300 AD12/VT shaft
- Compatible with auxiliary contact WV 1.V (two can be mounted)



### CHANGE-OVER KIT WV 1-0-2

- For two VKA switches (125-160 A)
- Available with black or yellow/red handle (Y/R)
- Includes handle and shaft
- Compatible with auxiliary contact VKA 1.V & VKA 2.V



Type	For	Description	EAN code 6419410...
<b>Change over kits</b>			
KU3/4P WV	KU	Positions 1, 0, 2, black handle	...221624
KU3/4P WVY/R	KU	Positions 1, 0, 2, red handle	...221631
VV 1-2	KU / VKA	No 0-position	...226506
VV 1-0-2	KU / VKA	Positions 1, 0, 2	...226407
VV.1-0-2/K	KU / VKA	Positions 1, 0, 2 with supporting steel	...226421
VV.1-0-2/LK12	KU / VKA	Positions 1, 0, 2 with LK12 handle	...226605
<b>Handles</b>			
LK12 1-0-2	Change-over switches 16-160A	Black	...222737
LK12 1-0-2 Y/R	Change-over switches 16-160A	Yellow/Red	...222744

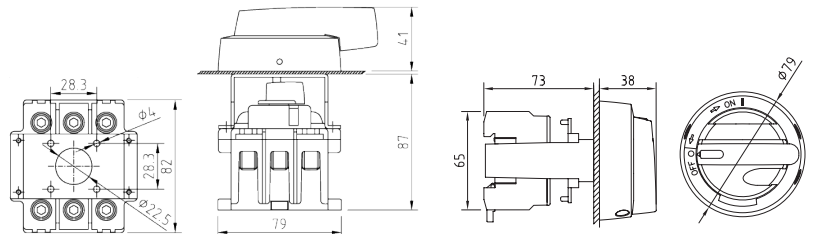
Data subject to change without notice

## ACCESSORIES DOOR MOUNTING KITS



OKA/KU/LK10

- For KU switches
- With LK10 or LK11 handle
- Available as black or yellow/red (Y/R)



OKA/VKA/LK11

OKA/KU/LK10

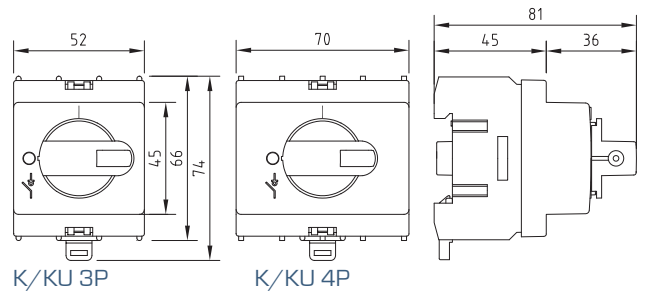
Type	For	Description	EAN code 6419410...
<b>Door mounting kits</b>			
OKA/KU/LK10	KU	Black, for 3P switch, with LK10 handle	...224656
OKA/KU/LK10 Y/R	KU	Yellow/red, for 3P switch, with LK10 handle	...224663
OKA/KU4P/LK10	KU	Black, for 4P switch, with LK10 handle	...224700
OKA/KU4P/LK10 Y/R	KU	Yellow/red, for 4P switch, with LK10 handle	...224717



K/KU 3P

## LOAD BREAK SWITCHES 16 - 80 A FRONT PLATES FOR KU

- Front plates for KU switches with direct handle
- Available in grey-black, and in yellow-red (Y/R)



K/KU 3P

K/KU 4P

Type	For	Description	EAN code 6419410...
<b>Front plates</b>			
K/KU 3P	KU 3P	Grey plate, black direct handle	...221600
K/KU 4P	KU 4P	Grey plate, black direct handle	...222805
K/KU 3P Y/R	KU 3P	Yellow plate, red direct handle	...221617
K/KU 4P Y/R	KU 4P	Yellow plate, red direct handle	...222812

Data subject to change without notice

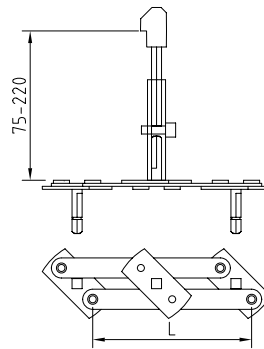
Dalroad are authorised UK distributors of Katko safety switches and isolators. Contact Dalroad for further information on the Katko range on 01582 505 252 or email sales@dalroad.com.



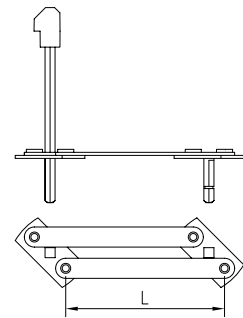
## PARALLEL KITS



- For KU and VKA-switches
- Assembly depth for KU 155-300 mm
- Assembly depth for VKA 164-310 mm
- Length shown in the product code, for example: RV 66, L=66 mm
- Shaft L=200 AD11/VT
- Handle not included



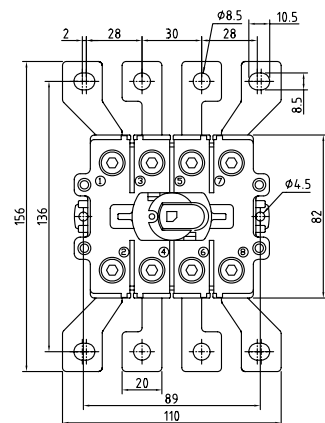
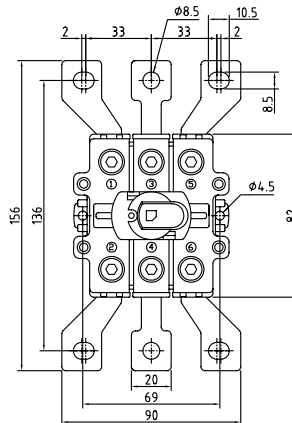
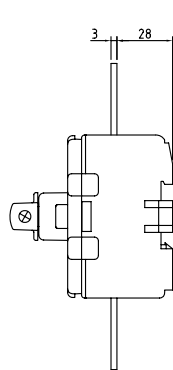
RV xx



RV xx S

Type	For	Description	EAN code 6419410...
<b>Parallel kits</b>			
RV 52S	KU	For 2 x KU 3P	...226223
RV 66	KU	For 2 x KU 3P	...226285
RV 66S	KU	For 2 x KU 3P	...226261
RV 80	KU, VKA	For 2 x KU 4P / 2 x VKA 3P	...226308
RV 80S	KU, VKA	For 2 x KU 4P / 2 x VKA 3P	...226292
RV 143S/6	200-250 A	For 2 x VKA 3P	...226353

## SPREADERS

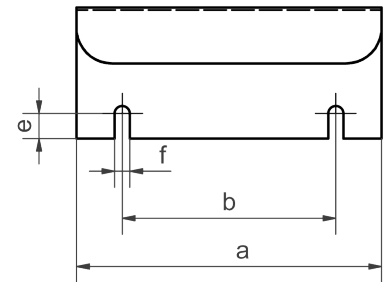
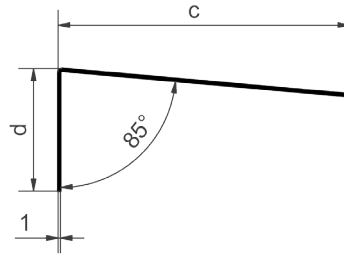


Type	For	Description	EAN code 6419410...
<b>Spreaders</b>			
ALK 3160	VKA, EVA	3P switch	...225301
ALK 4160	125-160 A	4P switch	...225400
KVKE ALK 160 3P	63-160 A	For 3P KVKE switch fuse	...286999
KVKE ALK 160 4P	63-160 A	For 4P KVKE switch fuse	...287002

Data subject to change without notice

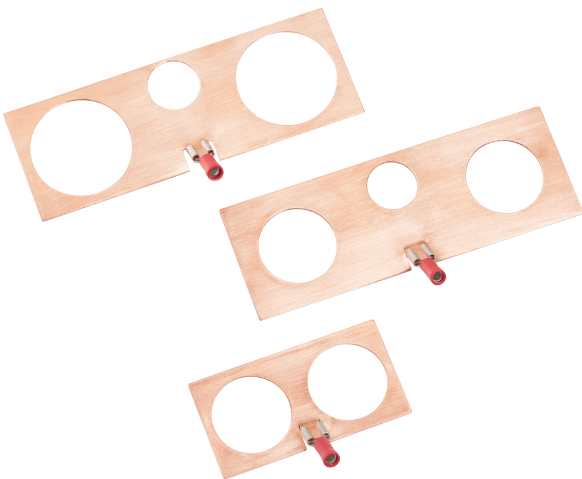
## ACCESSORIES PROTECTIVE ROOFS

- Additional protection for enclosed switches
- Material: Al-Zn



Type	Enclosure	Dimensions mm						EAN code 6419410...
		a	b	c	d	e	f	
<b>Protective vizor</b>								
KSL 10	U2	120	84	125	52	10	6	...353257
KSL 20	U3	156	131	140	62	10	6	...353264
KSL 30	TR02	350	260	200	83	40	9	...353271
KSL 50	TR03	410	340	300	83	26	9	...353288
KSL 70	TR04	630	542	340	80	30	9	...353295
KSL 100	TR07	830	742	390	80	30	9	...353301

## ACCESSORIES EARTHING PLATES



- Provides earthing for shielded cables in KATKO's U2 & U3 polycarbonate enclosures.
- Material: Copper

Data subject to change without notice

Dalroad are authorised UK distributors of Katko safety switches and isolators. Contact Dalroad for further information on the Katko range on 01582 505 252 or email sales@dalroad.com.