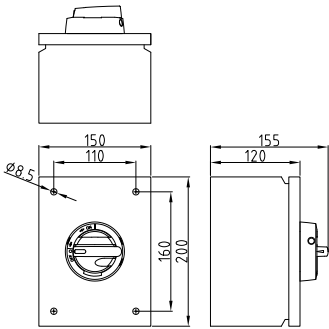


SHEET STEEL ENCLOSED SAFETY SWITCHES / ISOLATORS 16-1600 A

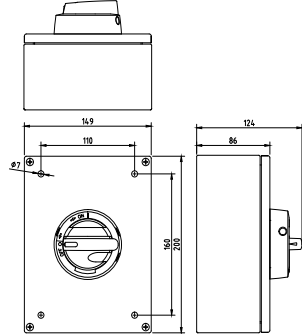


- IP65
- Good corrosion resistance
- Wide operating temperature range
- Padlockable
- Door interlock with defeat mechanism
- Excellent Insulating properties
- Good UV resistance
- Good resistance against many chemicals
- Available up to 1600A

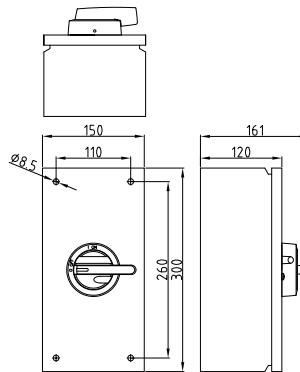
TR007



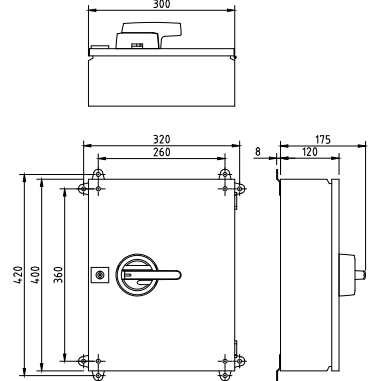
TE005



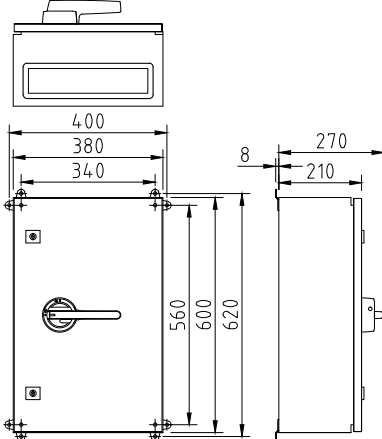
TR01



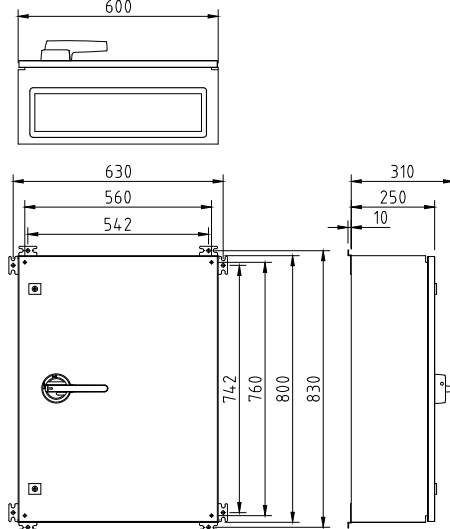
TR02



TR03



TR04



TR05

