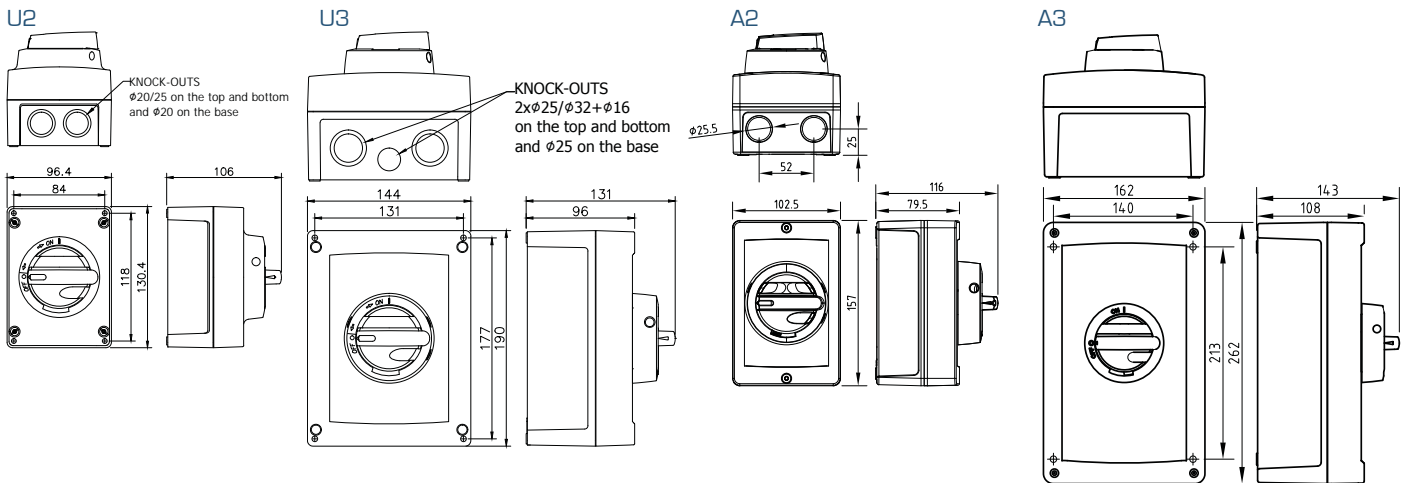


# EMC-PROTECTED SAFETY SWITCHES / ISOLATORS 16-630 A



- Electromagnetic compatibility ensures safe operation in environments with electromagnetic disturbance
- Tested according to EN 55011 with EMC-glands shielded power cable
- IP66; Enclosure types U2, U3, A2, A3
- IP65; Enclosure types TRO2, TRO3, TRO4
- Available in polycarbonate up to 80 A, aluminium up to 125 A and sheet steel up to 630 A
- Also available in TRO2, TRO3 and TRO4 enclosures
- Padlockable
- Door interlock with defeat mechanism
- EMC cable glands included



Type		400 V		400 V		AC-23		EAN-Code		Enclosure	Cable glands	Weight kg	
		AC-21	415 V	AC-22	415 V	400 V	AC-23	690 V	6419410...				
Grey/black	Yellow/red	I <sub>n</sub> / A	690 V	I <sub>n</sub> / A	I <sub>n</sub> / A	P / kW	I <sub>n</sub> / A	P / kW	Grey/black	Yellow/red			
<b>Polycarbonate enclosures</b>													
KEM 316U/EMC	KEM 316U/EMC Y/R	25 A		16 A	16 A	7.5 kW	16 A	11 kW	...329207	...329252	U2	2xM25	0.6
KEM 325U/EMC	KEM 325U/EMC Y/R	40 A		25 A	25 A	11 kW	25 A	22 kW	...329214	...329269	U2	2xM25	0.6
KEM 340U/EMC	KEM 340U/EMC Y/R	63 A		40 A	40 A	22 kW	32 A	30 kW	...329221	...329276	U3	2xM25	0.8
KEM 363U/EMC	KEM 363U/EMC Y/R	80 A		63 A	40 A	22 kW	40 A	37 kW	...329238	...329283	U3	2xM32	0.8
KEM 380U/EMC	KEM 380U/EMC Y/R	100 A		80 A	63 A	30 kW	40 A	37 kW	...329245	...329290	U3	2xM32	0.8
<b>Aluminium enclosures</b>													
KEA 316U/EMC	KEA 316U/EMC Y/R	25 A		16 A	16 A	7.5 kW	16 A	11 kW	...483008	...483039	A2	2xM25	0.8
KEA 325U/EMC	KEA 325U/EMC Y/R	40 A		25 A	25 A	11 kW	25 A	22 kW	...483015	...483046	A2	2xM25	0.8
KEA 340U/EMC	KEA 340U/EMC Y/R	63 A		40 A	40 A	22 kW	32 A	30 kW	...483022	...483053	A2	2xM25	0.8
KEA 363U/EMC	KEA 363U/EMC Y/R	80 A		63 A	40 A	22 kW	40 A	37 kW	...336601	...336465	A3	2xM40	2.1
KEA 380U/EMC	KEA 380U/EMC Y/R	100 A		80 A	63 A	30 kW	40 A	37 kW	...336618	...336472	A3	2xM40	2.1
KEA 3125U/EMC	KEA 3125U/EMC Y/R	160 A		125 A	100 A	55 kW	80 A	55 kW	...336625	...336489	A3	2xM40	3.5
<b>Sheet steel enclosures</b>													
KET 3160/EMC	KET 3160/EMC Y/R	200 A		160 A	135 A	75 kW	125 A	90 kW	...336649	...338735	TRO2	*	8.1
KET 3200/EMC	KET 3200/EMC Y/R	200 A		200 A	200 A	110 kW	200 A	160 kW	...336656	...338742	TRO3	*	19
KET 3250/EMC	KET 3250/EMC Y/R	250 A		250 A	250 A	132 kW	250 A	250 kW	...336663	...338759	TRO3	*	19
KET 3315/EMC	KET 3315/EMC Y/R	315 A		315 A	315 A	160 kW	315 A	315 kW	...336670	...338776	TRO3	*	20
KET 3400/EMC	KET 3400/EMC Y/R	400 A		400 A	400 A	200 kW	400 A	355 kW	...336687	...338773	TRO3	*	20
KET 3630/EMC	KET 3630/EMC Y/R	630 A		630 A	630 A	355 kW	500 A	500 kW	...336694	...338780	TRO4	*	39

\* 160-630 A cable glands according to order