

ATEX SWITCHES SAFETY SWITCHES / ISOLATORS 16-160 A

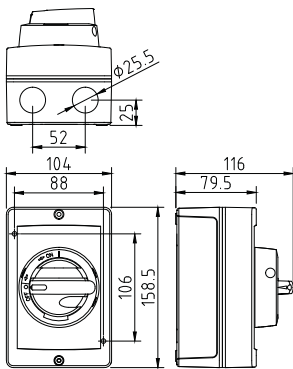


- Conforming to EN 60079-0:2009, EN 60079-31:2009
- Suitable for use in Zone 22 (Category 3D)
- IP66
- Frontal impact test of 7 J
- Available in aluminium and stainless steel
- Available in yellow/ red: Add Y/R at the end of product code
- Padlockable
- Door interlock with defeat mechanism
- Separate ATEX-enclosures upon request
- ATEX CABLE GLANDS INCLUDED

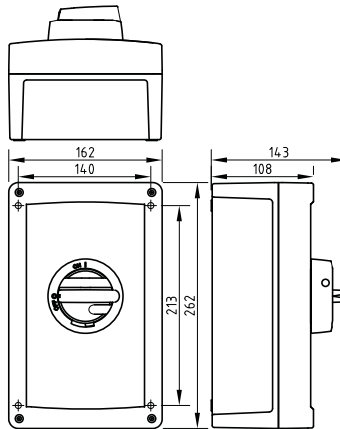


ATEX

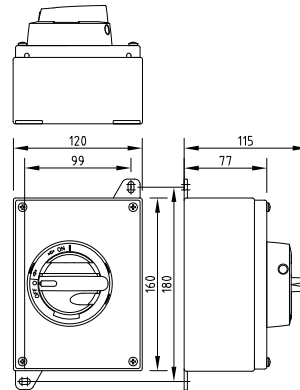
A2EX



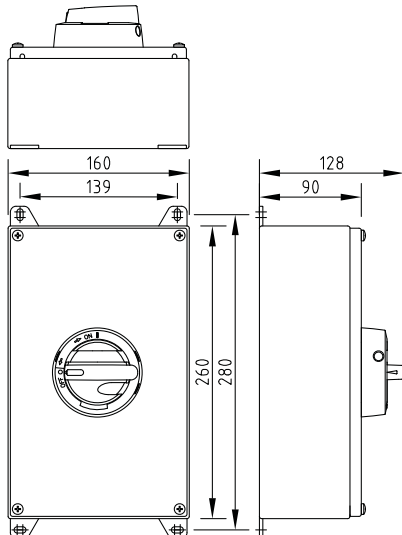
A3EX



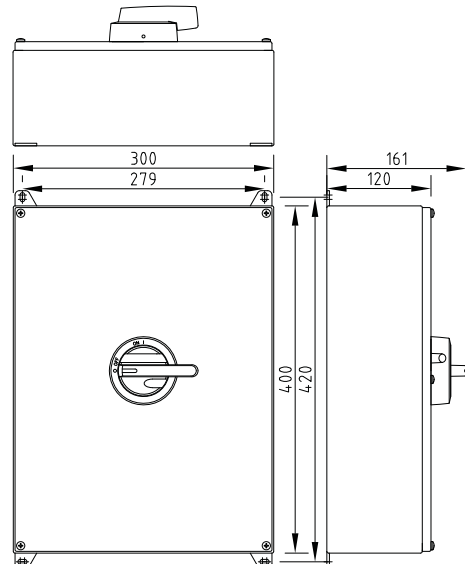
H23EX



H32EX



H02EX



ATEX SWITCHES SAFETY SWITCHES / ISOLATORS 16-160 A

Type	400 V		400 V		AC-23	AC-23		EAN-Code	Enclosure	Cable glands	Weight kg
	AC-21	415 V 690 V	AC-22	415 V 690 V		400 V 415 V	690 V				
	I_n / A		I_n / A		I_n / A	I_n / A	P / kW				
Aluminium enclosures											
3-pole											
KEA 316U EX	25 A		16 A		16 A	16 A	7.5 kW	6419410305508	A2EX	2xM25	0.9
KEA 325U EX	40 A		25 A		25 A	25 A	11 kW	6419410305515	A2EX	2xM25	0.9
KEA 340U EX	63 A		40 A		40 A	32 A	22 kW	6419410305522	A2EX	2xM25	0.9
KEA 363U EX	80 A		63 A		40 A	40 A	22 kW	6419410305560	A3EX	2xM40	2.3
KEA 380U EX	100 A		80 A		63 A	40 A	30 kW	6419410305577	A3EX	2xM40	2.3
KEA 3125U EX	160 A		125 A		100 A	80 A	55 kW	6419410305584	A3EX	2xM40	3.8
KEA 3160U EX	200 A		160 A		135 A	125 A	75 kW	6419410305591	A3EX	2xM40	3.8
4-pole											
KEA 416U EX	25 A		16 A		16 A	16 A	7.5 kW	6419410305539	A2EX	2xM25	1
KEA 425U EX	40 A		25 A		25 A	25 A	11 kW	6419410305546	A2EX	2xM25	1
KEA 440U EX	63 A		40 A		40 A	32 A	22 kW	6419410305553	A2EX	2xM25	1
KEA 463U EX	80 A		63 A		40 A	40 A	22 kW	6419410305607	A3EX	2xM40	2.4
KEA 480U EX	100 A		80 A		63 A	40 A	30 kW	6419410305614	A3EX	2xM40	2.4
KEA 4125U EX	160 A		125 A		100 A	80 A	55 kW	6419410305621	A3EX	2xM40	3.9
KEA 4160U EX	200 A		160 A		135 A	125 A	75 kW	6419410305638	A3EX	2xM40	3.9
6-pole											
KEA 616U EX	25 A		16 A		16 A	16 A	7.5 kW	6419410306208	A3EX	2xM40	2.6
KEA 625U EX	40 A		25 A		25 A	25 A	11 kW	6419410306215	A3EX	2xM40	2.6
KEA 640U EX	63 A		40 A		40 A	32 A	22 kW	6419410306222	A3EX	2xM40	2.6
KEA 663U EX	80 A		63 A		40 A	40 A	22 kW	6419410306239	A3EX	2xM40	2.6
KEA 680U EX	100 A		80 A		63 A	40 A	30 kW	6419410306246	A3EX	2xM40	2.6
8-pole											
KEA 816U EX	25 A		16 A		16 A	16 A	7.5 kW	6419410306253	A3EX	2xM40	2.7
KEA 825U EX	40 A		25 A		25 A	25 A	11 kW	6419410306260	A3EX	2xM40	2.7
KEA 840U EX	63 A		40 A		40 A	32 A	22 kW	6419410306277	A3EX	2xM40	2.7
KEA 863U EX	80 A		63 A		40 A	40 A	22 kW	6419410306284	A3EX	2xM40	2.7
KEA 880U EX	100 A		80 A		63 A	40 A	30 kW	6419410306291	A3EX	2xM40	2.7
Stainless steel enclosures											
3-pole											
KER 316 EX	25 A		16 A		16 A	16 A	7.5 kW	6419410305645	H23EX	2xM25	1.3
KER 325 EX	40 A		25 A		25 A	25 A	11 kW	6419410305652	H23EX	2xM25	1.3
KER 340 EX	63 A		40 A		40 A	32 A	22 kW	6419410305669	H23EX	2xM25	1.3
KER 363 EX	80 A		63 A		40 A	40 A	22 kW	6419410305706	H32EX	2xM32	2.5
KER 380 EX	100 A		80 A		63 A	40 A	30 kW	6419410305713	H32EX	2xM32	2.5
KER 3125 EX	160 A		125 A		100 A	80 A	55 kW	6419410305720	H02EX	2xM40	7.2
KER 3160 EX	200 A		160 A		135 A	125 A	75 kW	6419410305737	H02EX	2xM40	7.2
4-pole											
KER 416 EX	25 A		16 A		16 A	16 A	7.5 kW	6419410305676	H23EX	2xM25	1.4
KER 425 EX	40 A		25 A		25 A	25 A	11 kW	6419410305683	H23EX	2xM25	1.4
KER 440 EX	63 A		40 A		40 A	32 A	22 kW	6419410305690	H23EX	2xM25	1.4
KER 463 EX	80 A		63 A		40 A	40 A	22 kW	6419410305744	H32EX	2xM32	2.6
KER 480 EX	100 A		80 A		63 A	40 A	30 kW	6419410305751	H32EX	2xM32	2.6
KER 4125 EX	160 A		125 A		100 A	80 A	55 kW	6419410305768	H02EX	2xM40	7.3
KER 4160 EX	200 A		160 A		135 A	125 A	75 kW	6419410305775	H02EX	2xM40	7.3
6-pole											
KER 616 EX	25 A		16 A		16 A	16 A	7.5 kW	6419410306406	H32EX	2xM25	2.6
KER 625 EX	40 A		25 A		25 A	25 A	11 kW	6419410306413	H32EX	2xM25	2.6
KER 640 EX	63 A		40 A		40 A	32 A	22 kW	6419410306420	H32EX	2xM25	2.6
KER 663 EX	80 A		63 A		40 A	40 A	22 kW	6419410306437	H32EX	2xM32	2.7
KER 680 EX	100 A		80 A		63 A	40 A	30 kW	6419410306444	H32EX	2xM32	2.7
KER 6125 EX	160 A		125 A		100 A	80 A	55 kW	6419410306505	H02EX	4xM40	7.6
KER 6160 EX	200 A		160 A		135 A	125 A	75 kW	6419410306512	H02EX	4xM40	7.6
8-pole											
KER 816 EX	25 A		16 A		16 A	16 A	7.5 kW	6419410306451	H32EX	2xM25	2.7
KER 825 EX	40 A		25 A		25 A	25 A	11 kW	6419410306468	H32EX	2xM25	2.7
KER 840 EX	63 A		40 A		40 A	32 A	22 kW	6419410306475	H32EX	2xM32	2.8
KER 863 EX	80 A		63 A		40 A	40 A	22 kW	6419410306482	H32EX	2xM32	2.8
KER 880 EX	100 A		80 A		63 A	40 A	30 kW	6419410306499	H32EX	2xM32	2.8
KER 8125 EX	160 A		125 A		100 A	80 A	55 kW	6419410306529	H02EX	4xM40	7.8
KER 8160 EX	200 A		160 A		135 A	125 A	75 kW	6419410306536	H02EX	4xM40	7.8