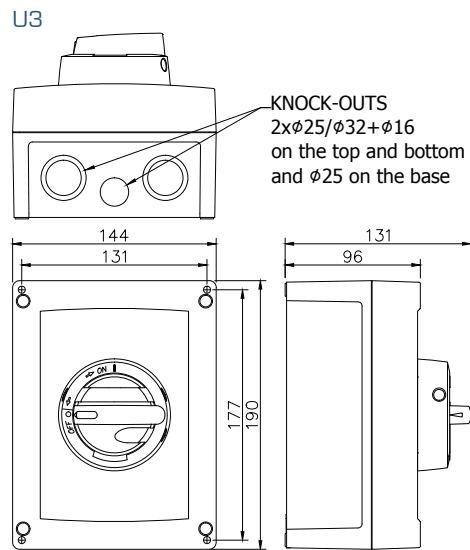
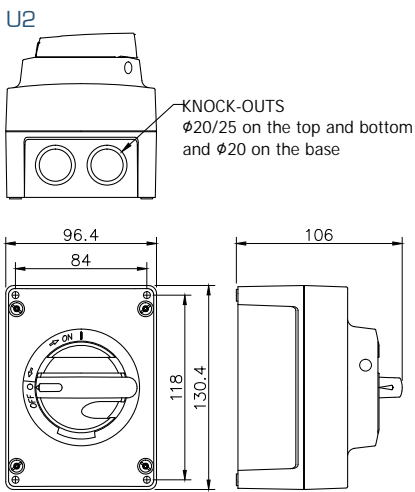


# ABS ENCLOSED SAFETY SWITCHES / ISOLATORS 10-80 A



- IP65
- Padlockable
- Door interlock with defeat mechanism
- Excellent insulating properties
- Good resistance against many chemicals
- E/G=Grey, Y/R=Yellow/Red



Type		AC-21		AC-22		AC-23	AC-23		690 V	EAN-Code 6419410...		Enclosure	Weight kg
		400 V 415 V 690 V	I <sub>e</sub> / A	400 V 415 V 690 V	I <sub>e</sub> / A		400 V 415 V	P / kW		I <sub>e</sub> / A	P / kW		
<b>1-pole</b>													
KEM 110U E/G	KEM 110U Y/R ABS	20 A*	10 A*	10 A	2 kW**	10 A	-	...353806	...353813	U2	0.4		
KEM 116U E/G	KEM 116U Y/R ABS	25 A*	16 A*	16 A	3 kW**	16 A	-	...353820	...353837	U2	0.4		
KEM 125U E/G	KEM 125U Y/R ABS	40 A*	25 A*	25 A	4 kW**	25 A	-	...353844	...353851	U2	0.4		
KEM 140U E/G	KEM 140U Y/R ABS	63 A*	40 A*	40 A	5,5 kW**	32 A	-	...353868	...353875	U2	0.4		
KEM 163U E/G	KEM 163U Y/R ABS	80 A*	63 A*	40 A	7,5 kW**	40 A	-	...353882	...353899	U3	0.6		
KEM 180U E/G	KEM 180U Y/R ABS	100 A*	80 A*	63 A	11 kW**	40 A	-	...353905	...353912	U3	0.6		
<b>2-pole</b>													
KEM 210U E/G	KEM 210U Y/R ABS	20 A*	10 A*	10 A	2 kW**	10 A	-	...353929	...353936	U2	0.5		
KEM 216U E/G	KEM 216U Y/R ABS	25 A*	16 A*	16 A	3 kW**	16 A	-	...353943	...353950	U2	0.5		
KEM 225U E/G	KEM 225U Y/R ABS	40 A*	25 A*	25 A	4 kW**	25 A	-	...353967	...353974	U2	0.5		
KEM 240U E/G	KEM 240U Y/R ABS	63 A*	40 A*	40 A	5,5 kW**	32 A	-	...353981	...353998	U2	0.5		
KEM 263U E/G	KEM 263U Y/R ABS	80 A*	63 A*	40 A	7,5 kW**	40 A	-	...354001	...354018	U3	0.7		
KEM 280U E/G	KEM 280U Y/R ABS	100 A*	80 A*	63 A	11 kW**	40 A	-	...354025	...354032	U3	0.7		
<b>3-pole</b>													
KEM 310U E/G	KEM 310U Y/R ABS	20 A	10 A	10 A	5,5 kW	10 A	7,5 kW	...481004	...481165	U2	0.4		
KEM 316U E/G	KEM 316U Y/R ABS	25 A	16 A	16 A	7,5 kW	16 A	11 kW	...481028	...481189	U2	0.4		
KEM 325U E/G	KEM 325U Y/R ABS	40 A	25 A	25 A	11 kW	25 A	22 kW	...481042	...481202	U2	0.4		
KEM 340U E/G	KEM 340U Y/R ABS	63 A	40 A	40 A	22 kW	32 A	30 kW	...481066	...481226	U2	0.4		
KEM 363U E/G	KEM 363U Y/R ABS	80 A	63 A	40 A	22 kW	40 A	37 kW	...481325	...481646	U3	0.6		
KEM 380U E/G	KEM 380U Y/R ABS	100 A	80 A	63 A	30 kW	40 A	37 kW	...481363	...481684	U3	0.6		
<b>4-pole</b>													
KEM 410U E/G	KEM 410U Y/R ABS	20 A	10 A	10 A	5,5 kW	10 A	7,5 kW	...481011	...481172	U2	0.5		
KEM 416U E/G	KEM 416U Y/R ABS	25 A	16 A	16 A	7,5 kW	16 A	11 kW	...481035	...481196	U2	0.5		
KEM 425U E/G	KEM 425U Y/R ABS	40 A	25 A	25 A	11 kW	25 A	22 kW	...481059	...481219	U2	0.5		
KEM 440U E/G	KEM 440U Y/R ABS	63 A	40 A	40 A	22 kW	32 A	30 kW	...481073	...481233	U2	0.5		
KEM 463U E/G	KEM 463U Y/R ABS	80 A	63 A	40 A	22 kW	40 A	37 kW	...481332	...481653	U3	0.7		
KEM 480U E/G	KEM 480U Y/R ABS	100 A	80 A	63 A	30 kW	40 A	37 kW	...481370	...481691	U3	0.7		